

7

6

5

4

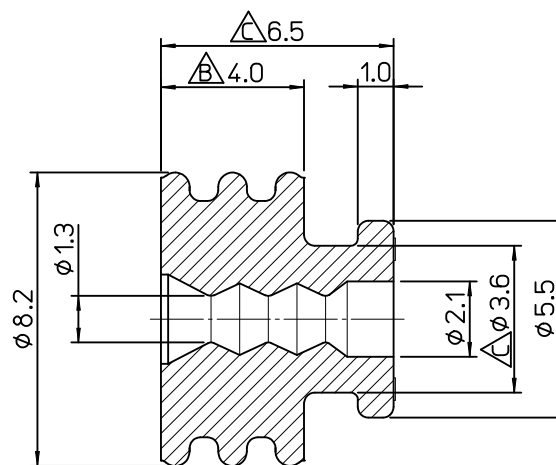
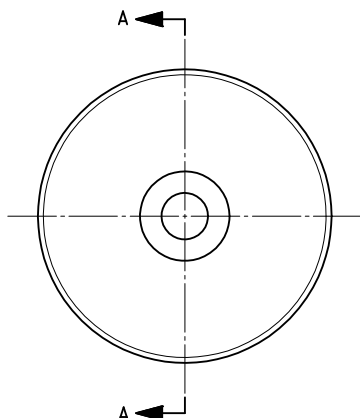
3

2

1

NOTES

1. MATERIAL: LUBRICATED SILICONE RUBBER
COLOR: BROWN
2. APPLICABLE WIRE SIZE: AVS0.5~0.85SQ
3. APPLICABLE TERMINAL: 35464-8000
4. APPLICABLE SOCKET: 35842, 35843



SECTION A-A

<TABLE 1>

359030096	35903-0096
MATERIAL NO.	ORDER NO.

REVISED EC NO: KOR2010-0141 DRW: EOKIM 2010/03/10 CHK: WYANG 2010/03/10 APPR: YUNSIKKIM 2010/03/11	QUALITY SYMBOLS = 0 = 0	GENERAL TOLERANCES (UNLESS SPECIFIED)		DIMENSION STYLE MM ONLY		SCALE 5:1	DESIGN UNITS METRIC	THIRD ANGLE PROJECTION		
			mm	INCH	DRAWN BY	DATE	WIRE SEAL FOR POSITIVE TERMINAL			
		4 PLACES	± ---	± ---	YSIKKIM	1999/05/26				
		3 PLACES	± ---	± ---	CHECKED BY	DATE	MOLEX INCORPORATED			
2 PLACES	± 0.1	± ---	BKCHOI	1999/05/26						
1 PLACE	± 0.2	± ---	APPROVED BY	DATE	MATERIAL NO. SEE TABLE 1 DOCUMENT NO. SD-35903-0096 SHEET NO. 1 OF 1					
ANGULAR ± 1 °		DRAFT WHERE APPLICABLE MUST REMAIN WITHIN DIMENSIONS		SIZE					A 4 THIS DRAWING CONTAINS INFORMATION THAT IS PROPRIETARY TO MOLEX INCORPORATED AND SHOULD NOT BE USED WITHOUT WRITTEN PERMISSION	

6

5

4

3

2

1

7

6

5

4

3

2

1

E

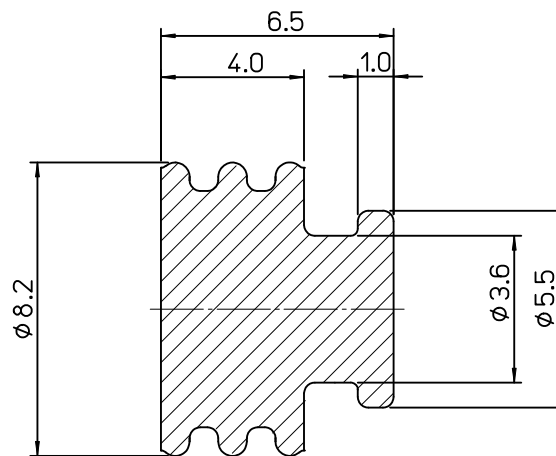
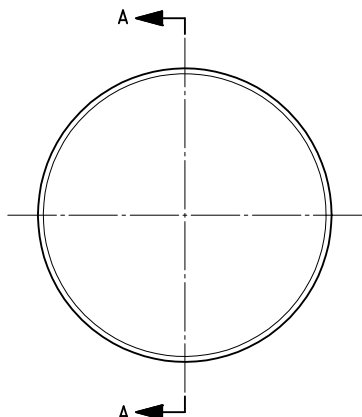
D

C

B

A

NOTES
 1.MATERIAL:LUBRICATED SILICONE RUBBER
 COLOR;BROWN
 2.APPLICABLE SOCKET:35842



SECTION A-A

<TABLE 1>

359030109	35903-0109
MATERIAL NO.	ORDER NO.

NEW RELEASE EC NO: KTR2012-0022 DRWN: HIMOON 2011/09/23 CHKD: BCYOON 2011/09/23 APPR: YUNSIKKIM 2011/11/03	DESCRIPTION REV A	QUALITY SYMBOLS = 0 = 0	GENERAL TOLERANCES (UNLESS SPECIFIED)		DIMENSION STYLE MM ONLY		SCALE 5:1	DESIGN UNITS METRIC	THIRD ANGLE PROJECTION
			4 PLACES ± --- ± ---	DRAWN BY YSIKKIM	DATE 1999/05/26	TITLE DUMMY SEAL			
			3 PLACES ± --- ± ---	CHECKED BY BKCHOI	DATE 1999/05/26	MOLEX INCORPORATED			
			2 PLACES ± 0.1 ± ---	APPROVED BY YUNSIKKIM	DATE 2011/11/03	MATERIAL NO. SEE TABLE1	DOCUMENT NO. SD-35903-109	SHEET NO. 1 OF 1	
		1 PLACE ± 0.2 ± ---		ANGULAR ± 1 °		THIS DRAWING CONTAINS INFORMATION THAT IS PROPRIETARY TO MOLEX INCORPORATED AND SHOULD NOT BE USED WITHOUT WRITTEN PERMISSION			
DRAFT WHERE APPLICABLE MUST REMAIN WITHIN DIMENSIONS									

6

5

4

3

2

1