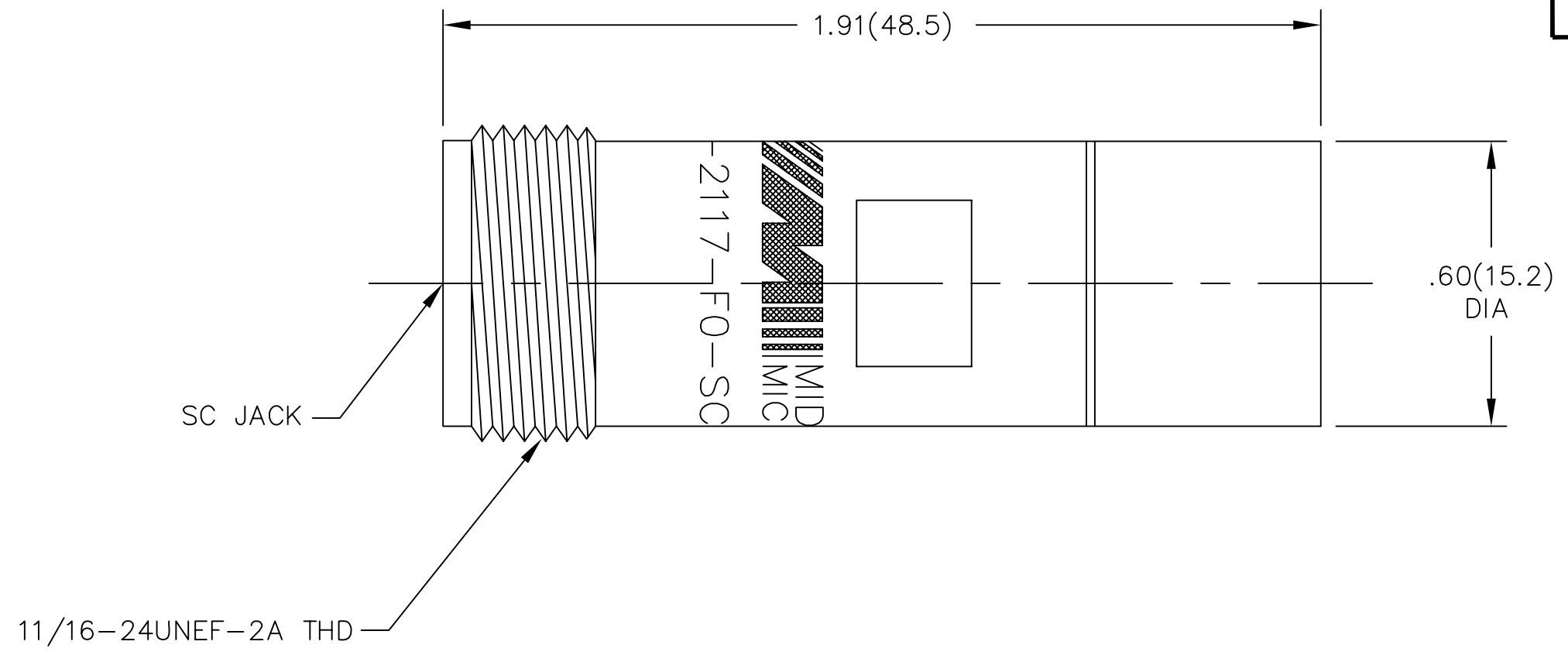


NOTES:

- 1.0 MATERIALS:
  - 1.1 HOUSING: STAINLESS STEEL PER ASTM-A582, TYPE 303.
  - 1.2 CENTER CONTACT: BERYLLIUM COPPER ROD ALLOY C172, PER ASTM-B196.
  - 1.3 DIELECTRIC: PTFE FLUOROCARBON PER ASTM-D1457.
- 2.0 PLATING:
  - 2.1 HOUSING: PASSIVATED PER MIL-F-14072 AND QQ-P-35
  - 2.2 CENTER CONTACT: GOLD PER MIL-G-45204, TYPE II, CLASS 2
- 3.0 ELECTRICAL SPECIFICATIONS:
  - 3.1 FREQUENCY RANGE: DC to 11.0 GHz
  - 3.2 VSWR (MAX): 1.20:1
  - 3.3 POWER: 2 WATTS AVG. AT +25°C DERATED LINEARLY TO 0.5 WATTS AT +125°C.
  - 3.4 PEAK POWER: 1 KILOWATT
  - 3.5 IMPEDANCE: 50 OHMS
- 4.0 DIMENSIONS IN PARENTHESIS ARE IN MILLIMETERS.
- 5.0 MARKING: MARK UNIT AS SHOWN (REF.: INK-02611-27-35)



REV.	DESCRIPTION	DATE
-	RELEASED	6/15/93
-1	ADDED TITLEBLOCK	11/3/05

UNLESS OTHERWISE NOTED DIMENSIONS ARE IN INCHES AND TOLERANCES ARE:  3 PLACE DECIMALS ±.005 2 PLACE DECIMALS ±.02 FRACTIONS ±1/64 PARALLELITY: T.I.R. _____ FLATNESS: T.I.R. _____ CONCENTRICITY: T.I.R. _____ ANGLES AND PERPENDICULARITY: ±1'	FSCM NO. <b>34078</b>		<b>MIDWEST MICROWAVE</b>	
	NOTICE: The information contained in this drawing is proprietary and must not be used without the permission of Midwest Microwave		TITLE TERMINATION - SC JACK	
	DRAWN/DATE A.BEATTY 6/9/93	ENG./DATE G.KOZAK 6/15/93	DRAWING NUMBER TRM-2117-FO-SCO-02	
	CHECKED/DATE M.HOLLMAN 9/15/93	APPROVED/DATE T.GORDON 2/11/80	SCALE: 3=1	SHEET 1 of 1