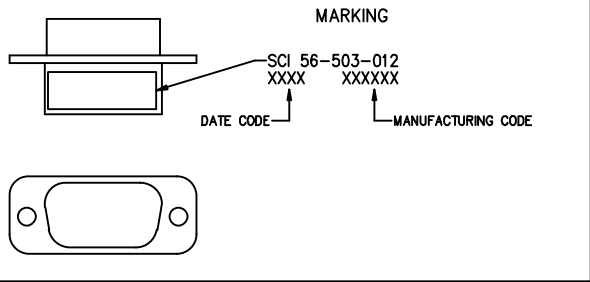
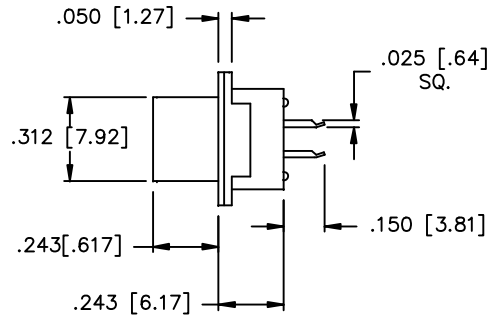
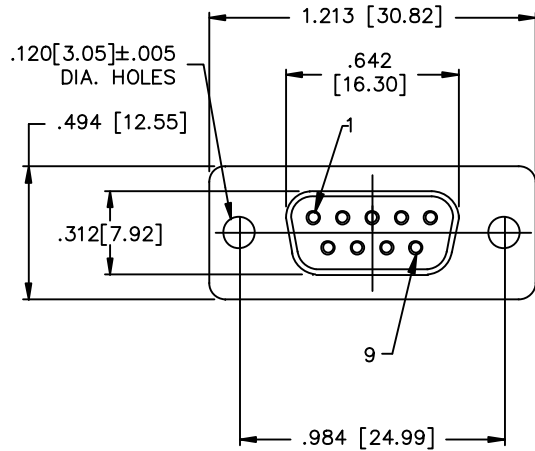
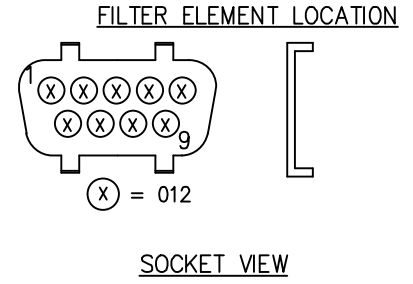


CONN SIZE	FILTER DESIGNATION	FILTER CIRCUITS	CAPACITANCE		3 dB MAX CUTOFF FREQ (MHz)	DIELECTRIC WITHSTANDING VOLTAGE	CONTACT RATING	CONTACT RESIST	WORKING VOLTAGE DC -55°C TO +125°C	MINIMUM INSERTION LOSS-DECIBELS (dB)				
			VALUE	TOLERANCE						10 MHz	20 MHz	100 MHz	500 MHz	1 GHz
9	012	FT	840pF	+30% -30%	6	300V	5A	.010 OHM MAX	100V	-	5	18	31	37



† ALL TEST CONDITIONS AT 25°C. 50% RELATIVE HUMIDITY.  
 CAP. PER MIL-STD-202 METHOD 305, 1.0 VRMS MAX. 1KHz.  
 D.W.V. PER MIL-STD-202 METHOD 301, 1-5 SEC. 50 mA MAX.  
 I.R. PER MIL-STD-202 METHOD 302.  
 I.L. PER MIL-STD-220, NO LOAD CONDITION.



NOTES:

- 1) SHELL: STEEL, TIN PLATED,
- 2) INSULATOR: UL 94V-0
- 3) CONTACT: COPPER ALLOY, .000030 GOLD PLATED IN SOCKET CONTACT MATING AREA.

THIS DOCUMENT CONTAINS PROPRIETARY INFORMATION AND IS COPYRIGHTED. EXCEPT WITH THE WRITTEN PERMISSION OF SPECTRUM CONTROL INC., OR ITS SUBSIDIARIES, SUCH INFORMATION SHALL NOT BE PUBLISHED OR DISCLOSED TO OTHERS OR USED FOR ANY PURPOSE AND THIS DOCUMENT SHALL NOT BE DUPLICATED IN WHOLE OR IN PART.

							4	REV. NCI.
							CN 199111	CHANGE NOTICE

UNLESS OTHERWISE SPECIFIED DIMENSIONS ARE IN INCHES.  
 CADD SCALE: FULL  
 PLOT SCALE: 2x

TOLERANCES UNLESS OTHERWISE SPECIFIED	Fractions ± 1/64
Dec. .xx±	
Dec. .xxx±	.015
Angles ±0° 30'	
CODE IDENT. NO.	OLSP2

CONNECTOR PRODUCTS DIVISION  
 ERIE, PENNSYLVANIA

SPECTRUM CONTROL INC.  
 Description  
 9 POSITION LOW PROFILE  
 SKT/PCB TAIL FILTERED CONN.

Date 12/07/00  
 Dwn. KRZALIC  
 Apvd. K WOOD

Sheet 1 of 1

B 56-503-012