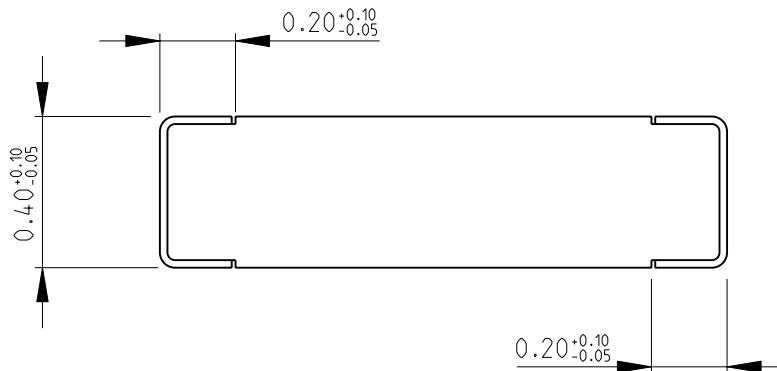
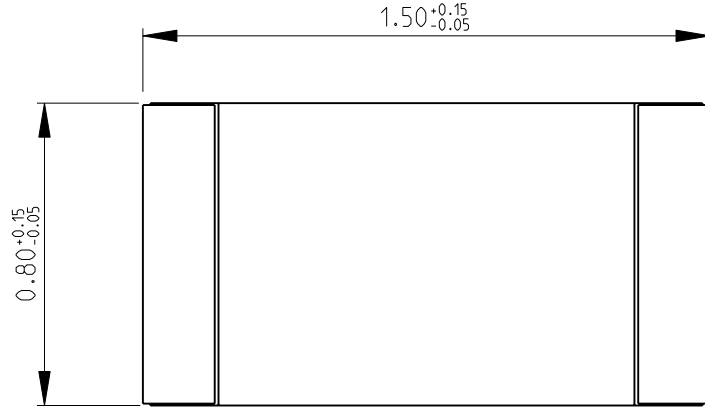
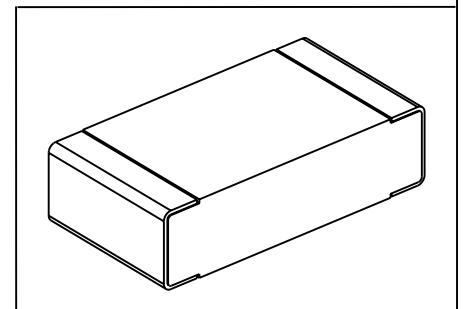


|     |      |           |     |             |           |     |      |
|-----|------|-----------|-----|-------------|-----------|-----|------|
| LOC | DIST | REVISIONS |     |             |           |     |      |
| E   | B    | P         | LTR | DESCRIPTION | DATE      | DWN | APVD |
|     |      |           | BA  | NEW RELEASE | 15SEP2010 | PT  | St.P |

FOR FURTHER INFORMATION SEE DATA SHEET FOR  
 RH73 SERIES-SMD HIGH VALUE RESISTORS



RoHS Compliant



2008

RELEASED FOR PUBLICATION

THIS DRAWING IS UNPUBLISHED.

BY TYCO ELECTRONICS CORPORATION. ALL RIGHTS RESERVED.



|  |                  |           |  |           |             |               |
|--|------------------|-----------|--|-----------|-------------|---------------|
| DIMENSIONS:<br>mm                      | DWN              | 15SEP2010 | MATERIAL   | -         | FINISH      | -             |
|  | CHK              | 15SEP2010 | Tyco Electronics Corporation<br>Dorcan, Swindon, SN3 5HH |           |             |               |
| TOLERANCES UNLESS OTHERWISE SPECIFIED: | APVD             | 15SEP2010 |  |           |             |               |
| 0 PLC ±0.2                             | STEPHEN.P        |           | NAME<br>SMD HIGH VALUE RESISTORS<br>SERIES RH73 1J       |           |             |               |
| 1 PLC ±0.1                             | PRODUCT SPEC     | -         |  |           |             |               |
| 2 PLC ±                                | APPLICATION SPEC | -         | SIZE   | CAGE CODE | DRAWING NO  | RESTRICTED TO |
| 3 PLC ±                                |                  |           | A 4  | 00779     | © = 1625858 | -             |
| 4 PLC ±                                | WEIGHT           | -         | CUSTOMER DRAWING   |           |             |               |
| ANGLES ±5°                             |                  |           | SCALE  | 50:1      | SHEET       | 1 OF 1        |
|  |                  |           | REV BA   |           |             |               |