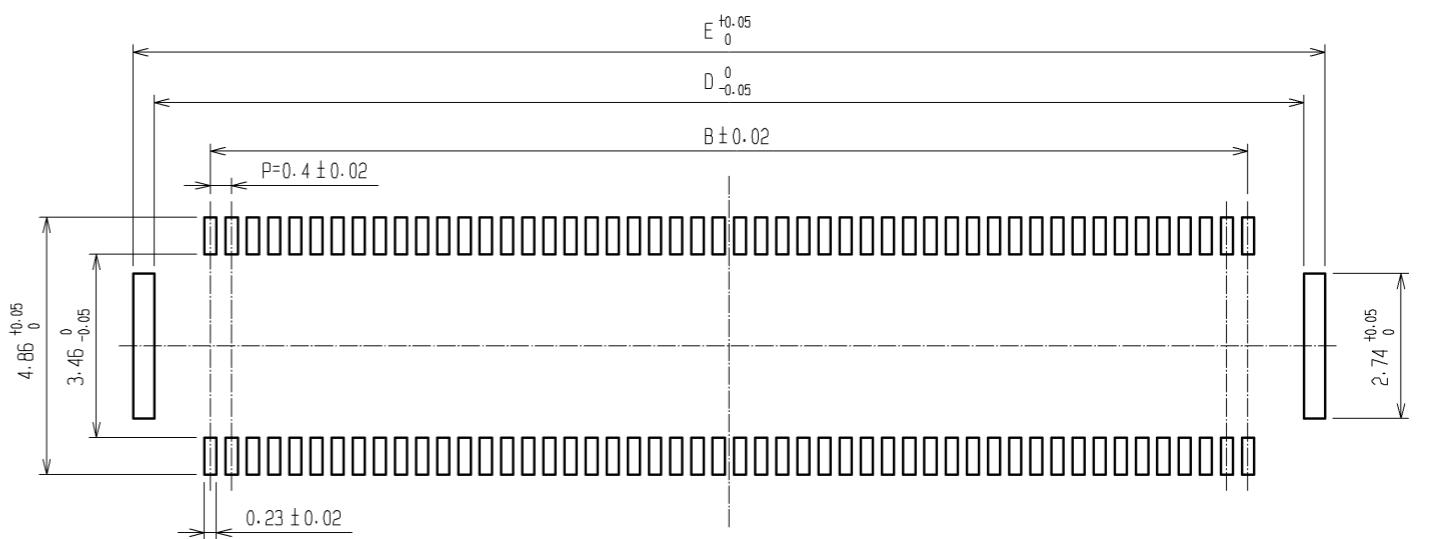
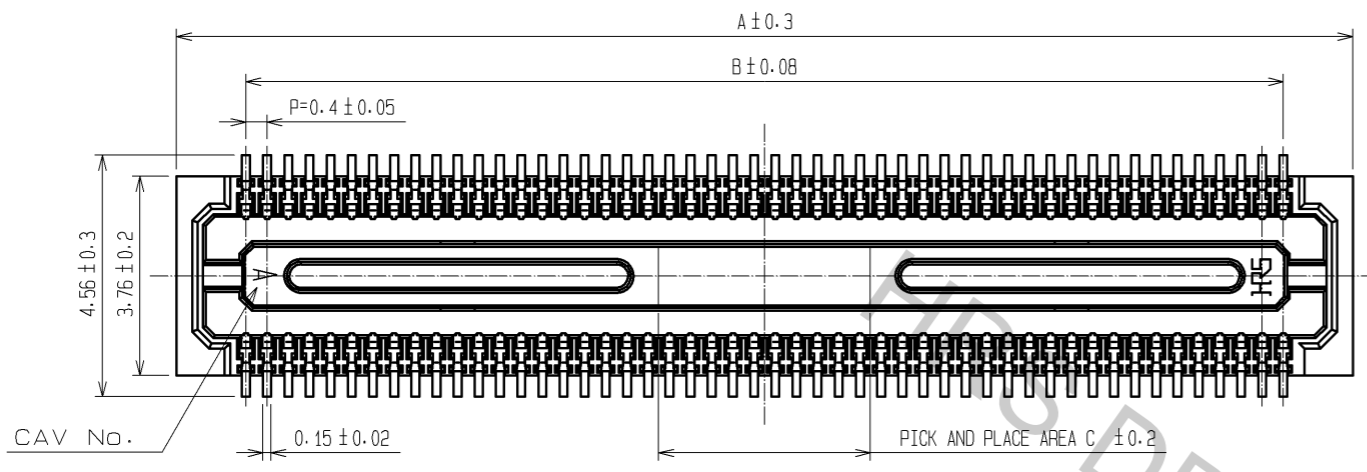
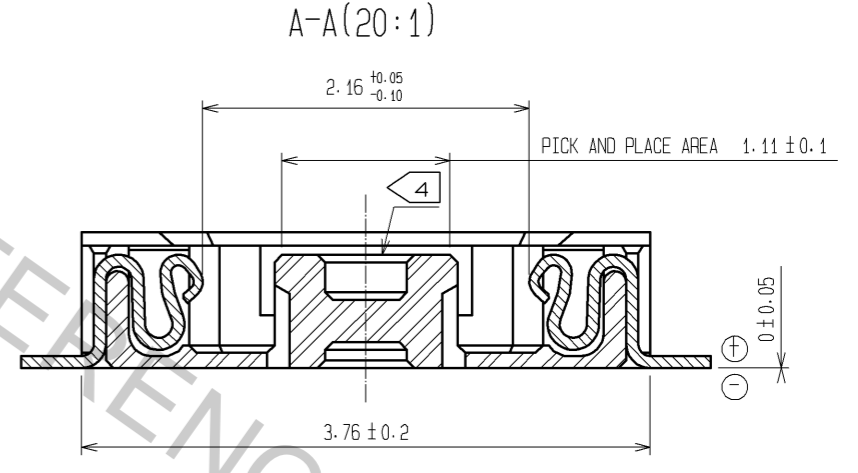
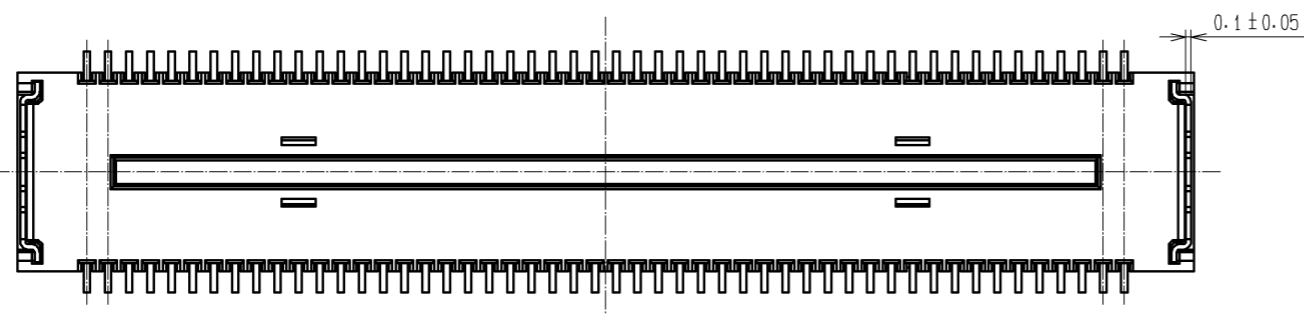
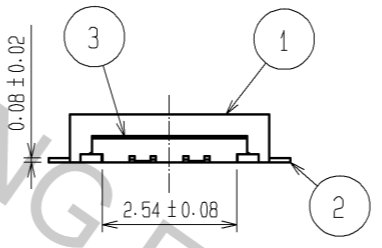
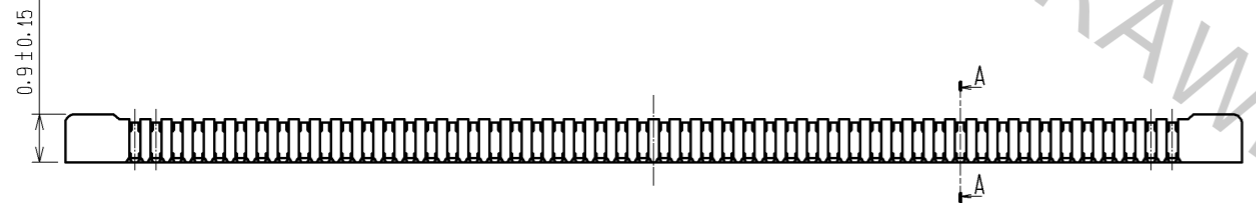


Apr.1.2017 Copyright 2017 HIROSE ELECTRIC CO., LTD. All Rights Reserved.

RECOMMENDED PATTERN



RECOMMENDED SOLDER PASTE : THICKNESS 120µm



- NOTE 1. ALL LEADS CO-PLANARITY SHALL BE 0.1 MAX.  
 2. PER REEL : 5000 CONNECTORS.  
 3. AT THE BEGINNING OF THE REEL, 100 MM AT MIN SHALL BE EMPTY POCKETS.  
 AT THE END OF THE REEL, 160 MM AT MIN SHALL BE EMPTY.  
 4. NO CAVITY ON THE CONNECTORS LESS THAN 24 POS.  
 5. CONTACT PLATING SPECIFICATIONS.  
 CONTACT AREA : GOLD 0.05µm MIN.  
 SMT LEAD : GOLD 0.02µm MIN.  
 UNDERPLATING : NICKEL 1µm MIN.  
 (SURFACE : SEALING)  
 6. METAL HOLD DOWN PLATING SPECIFICATIONS.  
 MOUNTING AREA: TIN 1µm MIN.  
 UNDERPLATING : NICKEL 1µm MIN.

| PART NO.              | A     | B    | C    | D     | E     |
|-----------------------|-------|------|------|-------|-------|
| DF30FB- 80DS-0.4V(81) | 18.22 | 15.6 | 3.2  | 17.72 | 18.52 |
| DF30FB- 70DS-0.4V(81) | 16.22 | 13.6 | 2.8  | 15.72 | 16.52 |
| DF30FB- 60DS-0.4V(81) | 14.22 | 11.6 | 2.4  | 13.72 | 14.52 |
| DF30FB- 50DS-0.4V(81) | 12.22 | 9.6  | 2    | 11.72 | 12.52 |
| DF30FB- 40DS-0.4V(81) | 10.22 | 7.6  | 1.6  | 9.72  | 10.52 |
| DF30FB- 34DS-0.4V(81) | 9.02  | 6.4  | 1.36 | 8.52  | 9.32  |
| DF30FB- 30DS-0.4V(81) | 8.22  | 5.6  | 1.2  | 7.72  | 8.52  |
| DF30FB- 24DS-0.4V(81) | 7.02  | 4.4  | 1.2  | 6.52  | 7.32  |
| DF30FB- 22DS-0.4V(81) | 6.62  | 4.0  | 1.2  | 6.12  | 6.92  |
| DF30FB- 20DS-0.4V(81) | 6.22  | 3.6  | 1.2  | 5.72  | 6.52  |

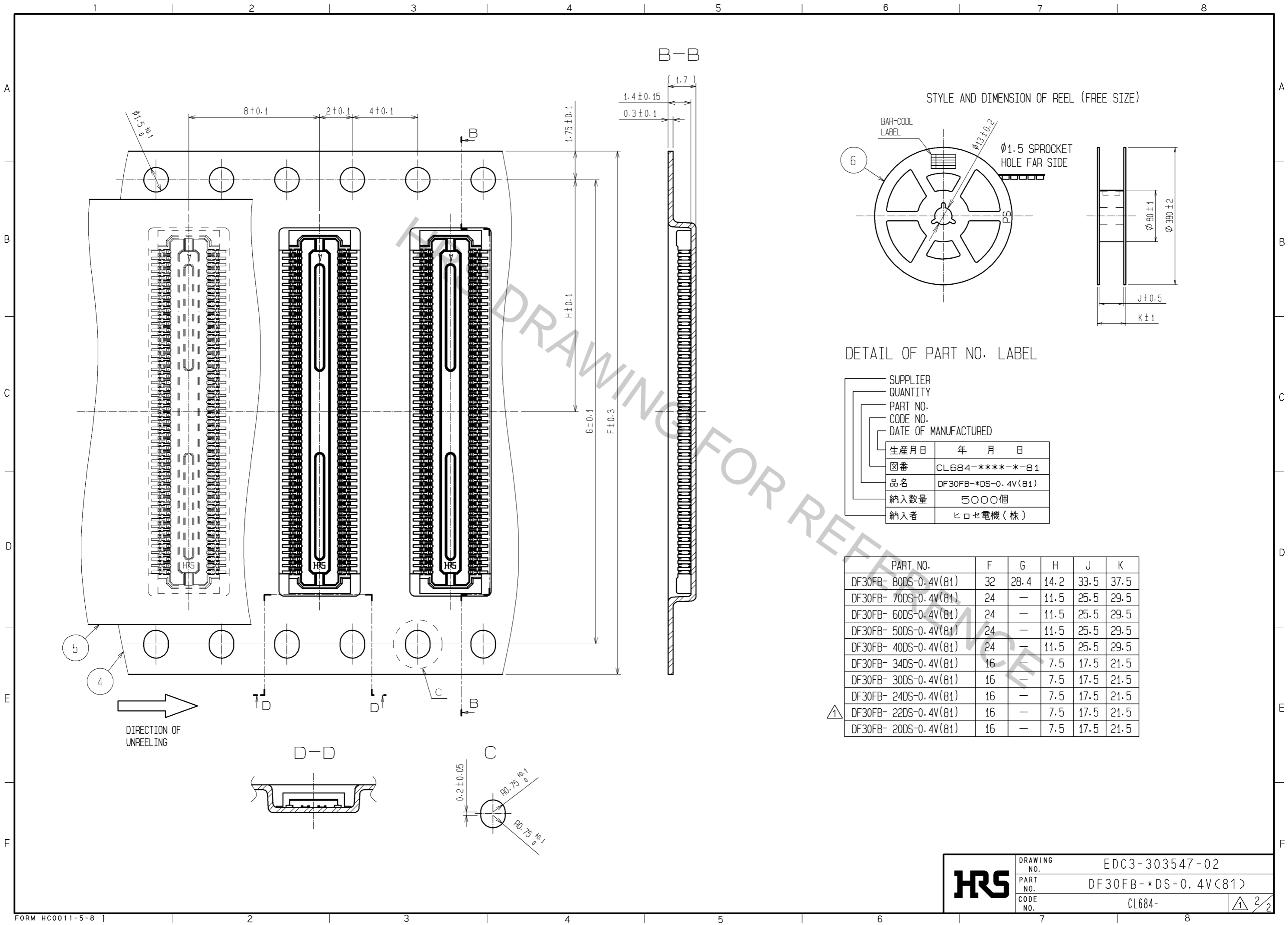
| NO. | MATERIAL        | FINISH | REMARKS        | NO. | MATERIAL  | FINISH | REMARKS                       |
|-----|-----------------|--------|----------------|-----|-----------|--------|-------------------------------|
| 3   | PHOSPHOR BRONZE | 6      |                | 6   | PS        |        | PLASTIC REEL (BLACK)          |
| 2   | PHOSPHOR BRONZE | 5      |                | 5   | POLYESTER |        | CLEAR (COVER TAPE)            |
| 1   | LCP             |        | UL94V-0. BLACK | 4   | PS        |        | CLEAR (EMBOSSED CARRIER TAPE) |

| UNITS | SCALE | COUNT | DESCRIPTION OF REVISIONS | DESIGNED   | CHECKED       | DATE     |
|-------|-------|-------|--------------------------|------------|---------------|----------|
| mm    | FREE  | 2     | DIS-H-005343             | TK. SUZUKI | AR. TAKAHASHI | 10.11.30 |

| APPROVED     | DATE     | DRAWING NO.          |
|--------------|----------|----------------------|
| KJ. KATAYOSE | 05.01.05 | EDC3-303547-02       |
| KI. AKIYAMA  | 05.01.05 | PART NO.             |
| TH. ARAI     | 05.01.05 | DF30FB- *DS-0.4V(81) |
| TH. ARAI     | 05.01.05 | CODE NO.             |
|              |          | CL684-               |



|            |             |                     |
|------------|-------------|---------------------|
| <b>HRS</b> | DRAWING NO. | EDC3-303547-02      |
|            | PART NO.    | DF30FB-*DS-0.4V(81) |
|            | CODE NO.    | CL684-              |

2/2