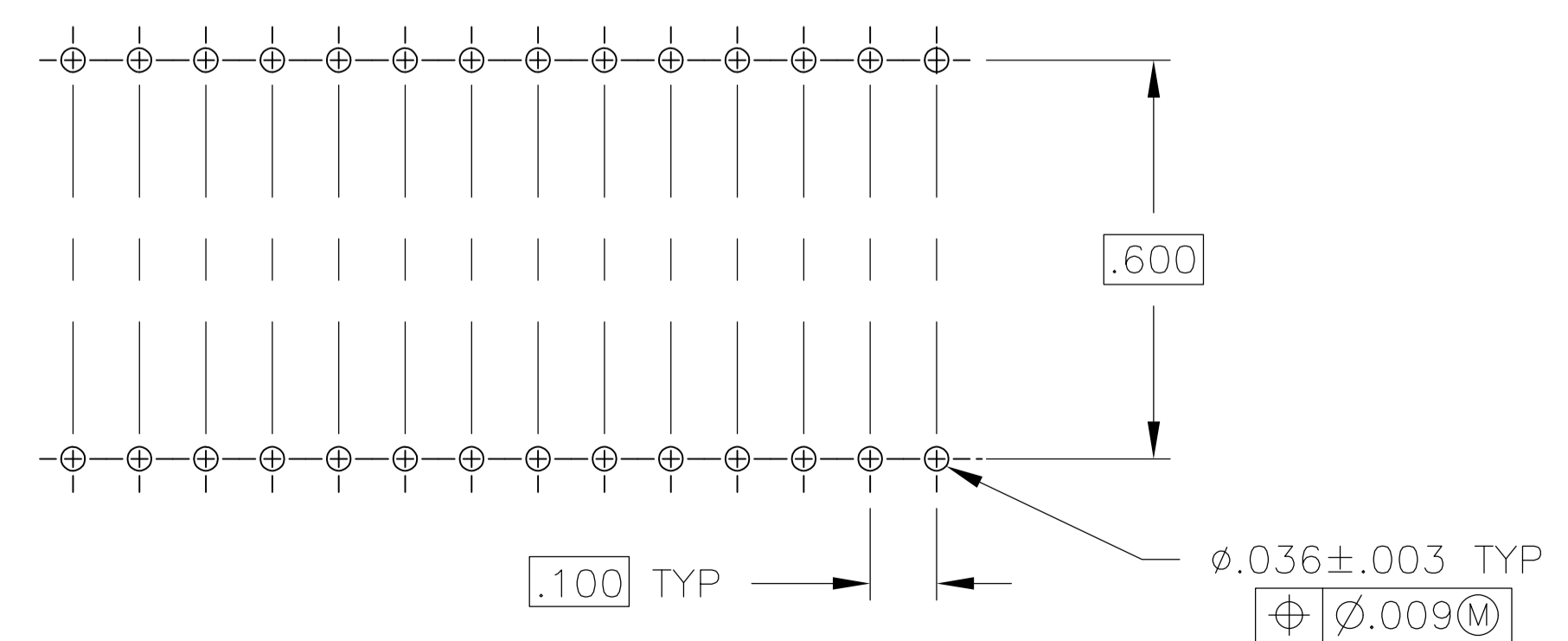
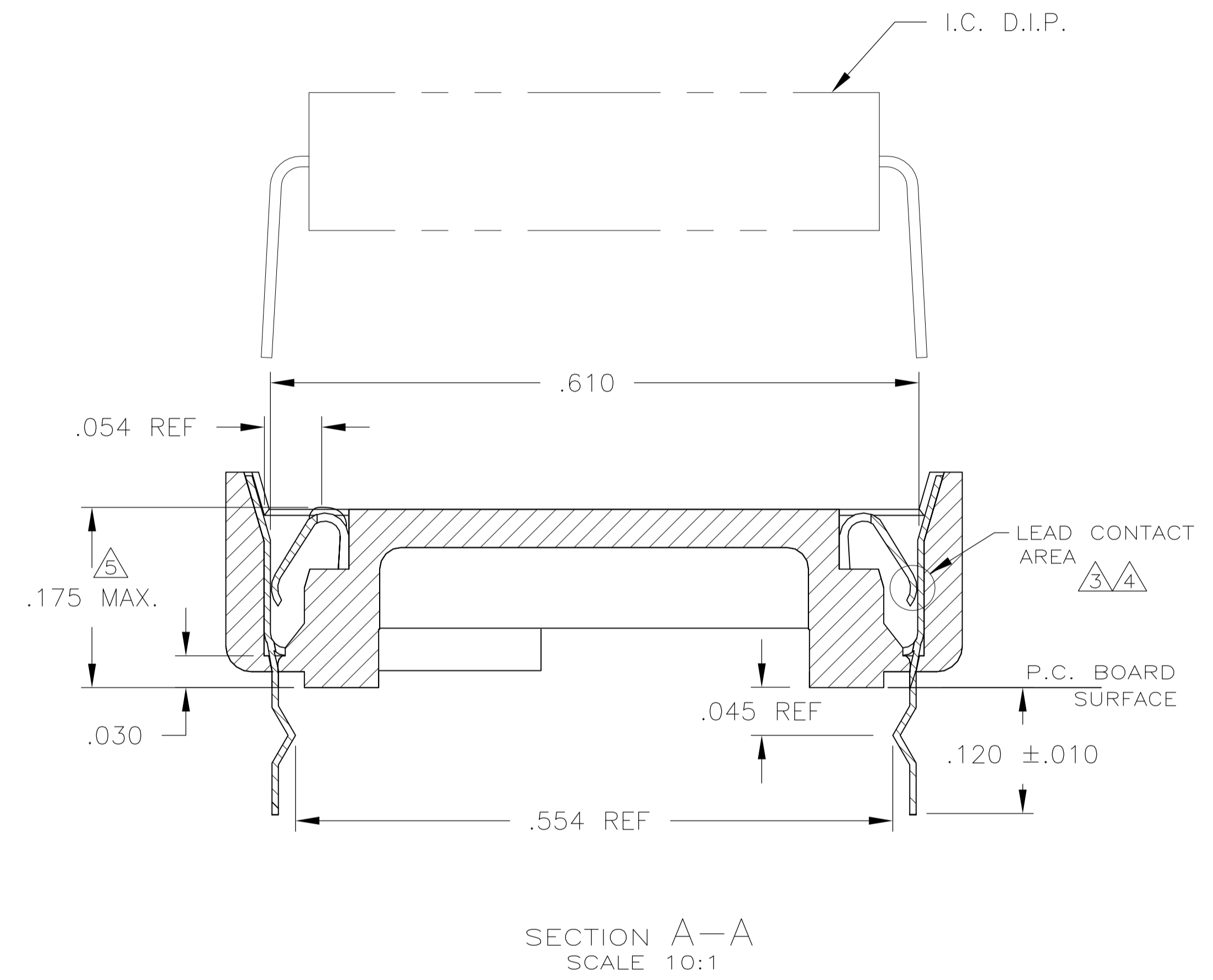
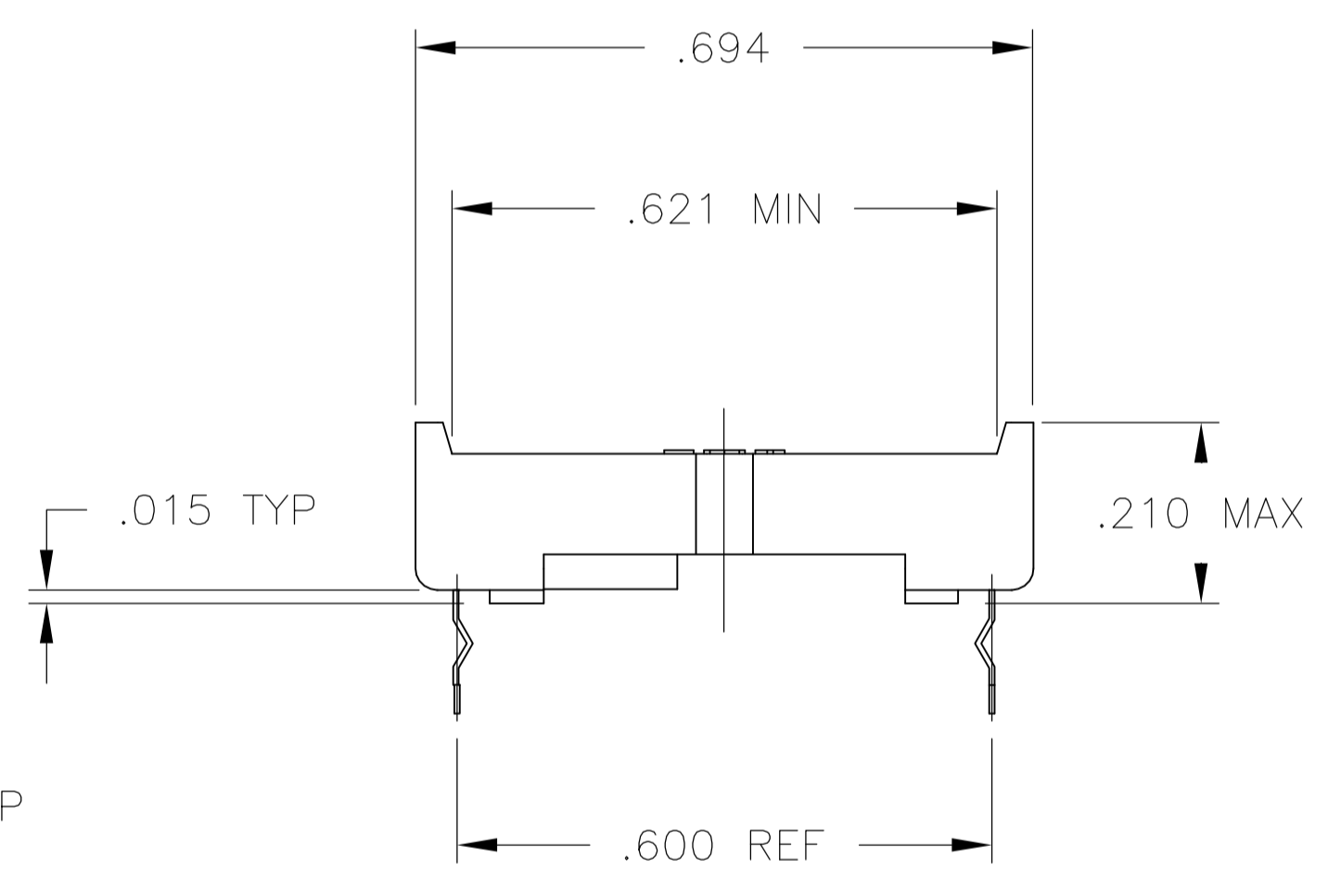
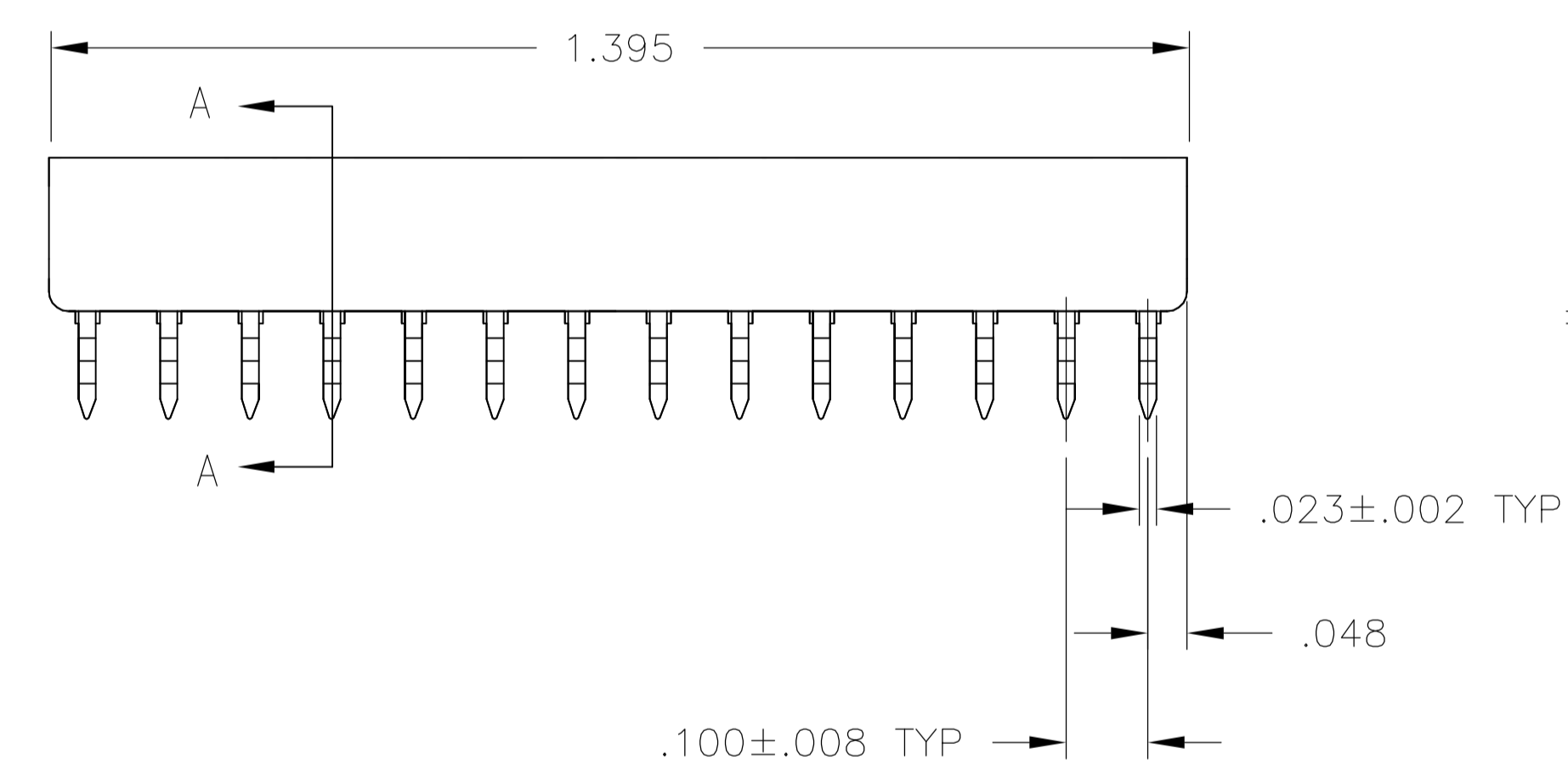
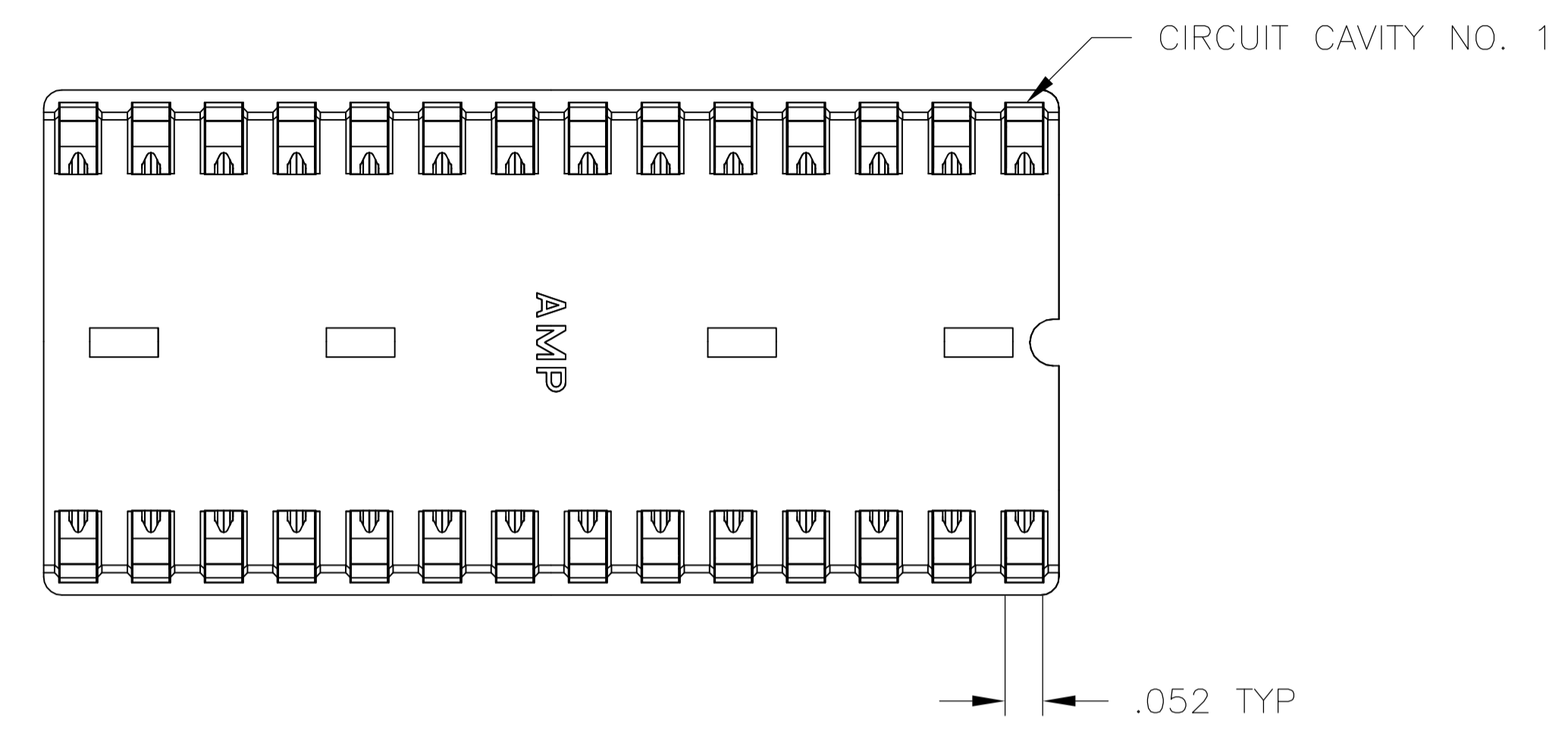


1. RECEPTACLE ACCEPTS A .008-.014 THICK I.C. LEAD.
2. TUBE LOADED.
3. TWO .000030 MIN THK. GOLD STRIPES IN CONTACT AREA WITH TIN-LEAD (93/7) ON CONTACT LEGS, BALANCE OF CONTACT NICKEL PLATED.
4. TWO .000015 MIN THK. GOLD STRIPES IN CONTACT AREA WITH TIN-LEAD (93/7) ON CONTACT LEGS, BALANCE OF CONTACT NICKEL PLATED.
5. MAXIMUM DIMENSION FOR I.C. SEATING PLANE.



RECOMMENDED MOUNTING HOLE PATTERN
SCALE 4:1

OBSOLETE

4	PHOS.BRZ. .006 THK	GLASS-FILLED THERMOPLASTIC, 94V-O, BLACK	2-641267-4
TINNED	PHOS.BRZ. .006 THK	GLASS-FILLED THERMOPLASTIC, 94V-O, BLACK	2-641267-3
4	BE.CU. .006 THK	GLASS-FILLED THERMOPLASTIC, 94V-O, BLACK	2-641267-2
TINNED	BE.CU. .006 THK	GLASS-FILLED THERMOPLASTIC, 94V-O, BLACK	2-641267-1
CONTACT FINISH	CONTACT MAT'L	HOUSING MATERIAL	PART NO.

THIS DRAWING IS A CONTROLLED DOCUMENT.		DIN R BROWN 09JAN01	TE Connectivity	
DIMENSIONS: INCHES		CHK H WYNKOOP 17NOV00		
TOLERANCES UNLESS OTHERWISE SPECIFIED:		APVD H WYNKOOP 17NOV00	NAME	
0. PLC	± -	PRODUCT SPEC		
1. PLC	± -	108-1066		
2. PLC	± -	APPLICATION SPEC		
3. PLC	± .005	114-1049		
4. PLC	± -	SIZE CAGE CODE DRAWING NO		
ANGLES	± σ-30°	WEIGHT		
MATERIAL SEE TABLE	FINISH SEE TABLE	A1 00779 C=641267		RESTRICTED TO
		CUSTOMER DRAWING		SCALE 5:1 SHEET 1 OF 1 REV R1