

inspired LED

# 24V Flexible LED Strip Lights

## Mega Bright 75Ω

Inspired LED's **24 Volt Flexible Strip Lights** are an ideal solution for large LED lighting systems. Available in custom lengths or 12M reels, these unique strips can be cut to length and terminated with solderless end connectors for easy DIY installation. Energy efficient, with a range of options for brightness and color, these 24 Volt LED Flex Strips are the perfect option for any lighting application.

### Specifications:

**Mega Bright 75 Ω**

**24V-MB75-XX**

> 680 lumens/ft. 6.75 Watts/ft.

Size 2835 diodes

### Product Features:

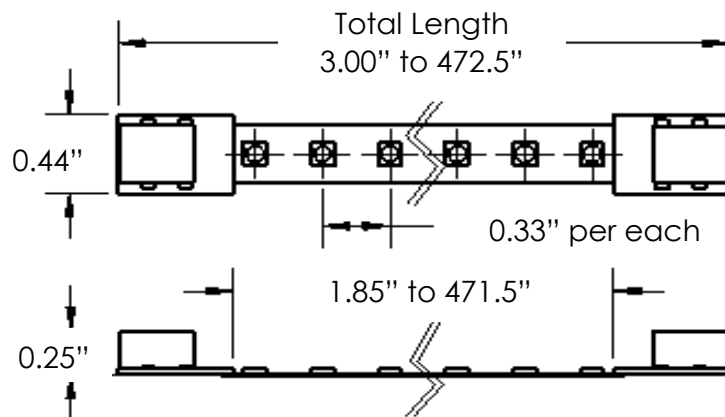
- 36 LEDs per foot, 0.33" spacing per LED
- Minimal Heat Production- No IR or UV
- Warm white (2700K) or pure white (4100K)
- Custom pre-cut lengths or full 12m reels
- Adhesive mounting to almost any flat surface
- Class 2 DC plug in connectors (3.5 x 1.3 mm) or screw terminal end-connectors available
- Dimmable with compatible systems
- Rated to last up to 100,000 hours

**To be installed in accordance with NEC, using Class 2 24V power supply only**

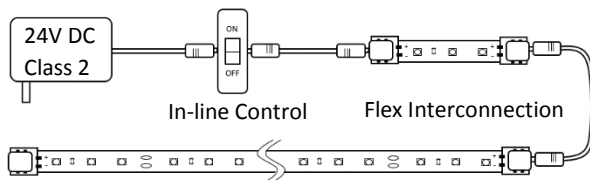


Warm White  
2700K

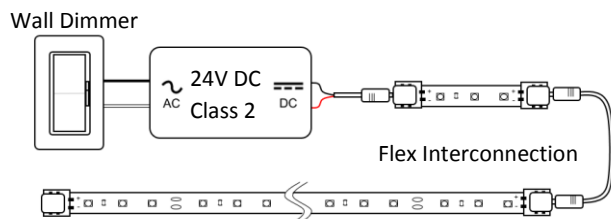
Pure White  
4100 K



Plug-in System



Hardwire System



### Installation Instructions:

1. Clean desired mounting surface(s) and test all products prior to installation
2. Temporarily mount LED flex strips using scotch tape
3. Interconnect LED strips with compatible DC cables
4. Run cable from LED system to control device and class 2 power source (See diagrams for more detail)
5. When satisfied with placement, peel adhesive backing from strips and press firmly to adhere LEDs in place



inspiredled.com



orders@inspiredled.com



(480) 941-4286