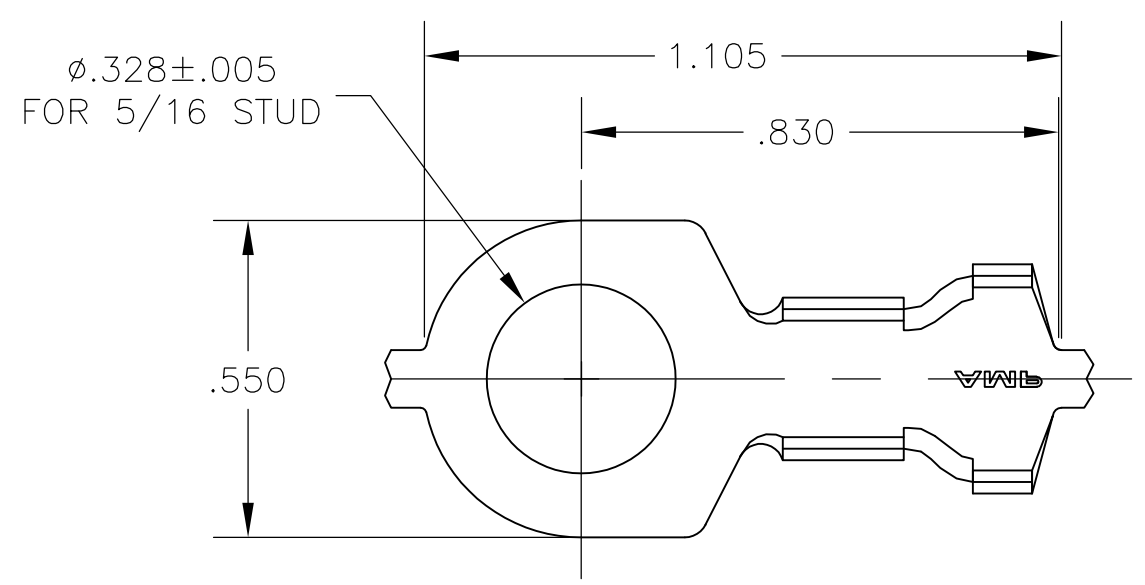
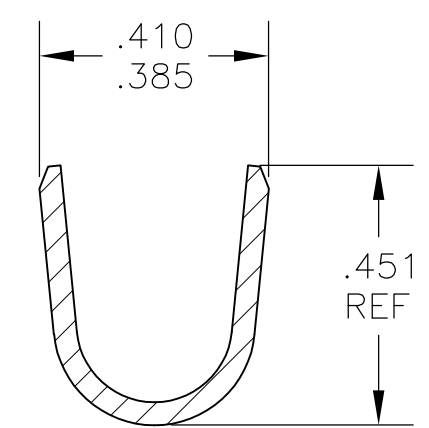
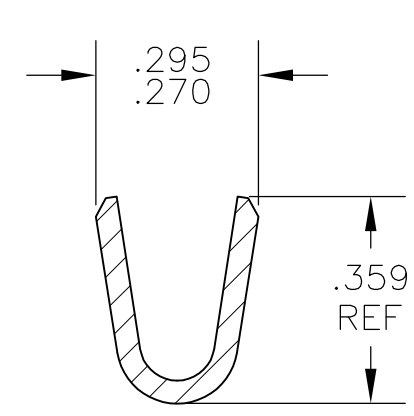
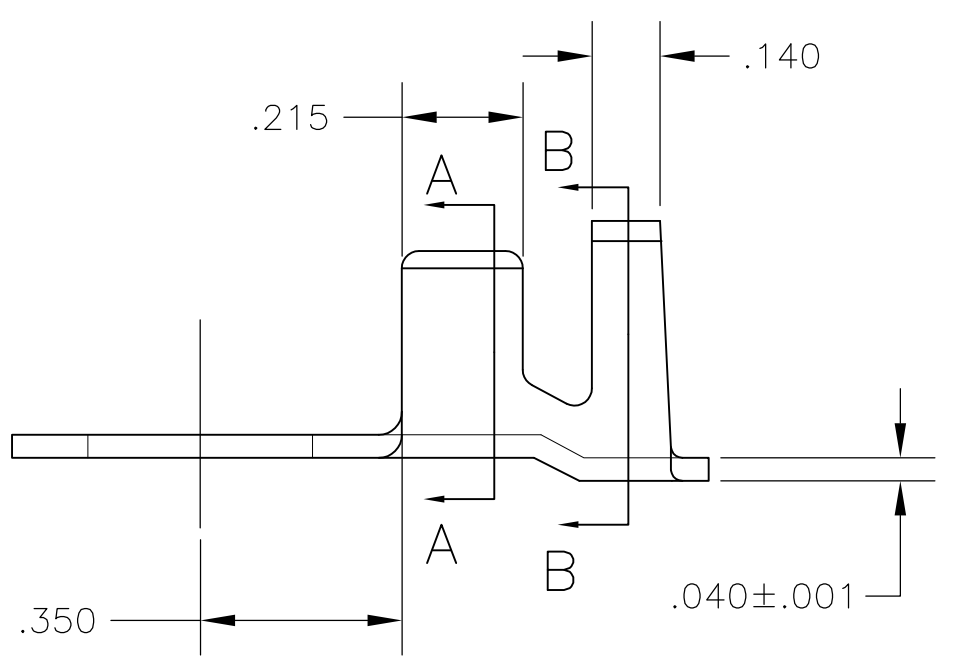


THIS DRAWING IS UNPUBLISHED. RELEASED FOR PUBLICATION  
 © COPYRIGHT BY TYCO ELECTRONICS CORPORATION. ALL RIGHTS RESERVED.

LOC	DIST	REVISIONS			
P	LTR	DESCRIPTION	DATE	DWN	APVD
AF	50	R	REVISED PER ECR-10-006099	07JUL10	HMR PD



- CONTINUOUS STRIP ON REELS
- WIRE SIZE IS #10-#6 AWG
- INSULATION RANGE IS .220-.315 DIA
- $\triangle$  4 REVERSE REELED



$\triangle$ 4	42913-3
	42913-2
	PART NO

THIS DRAWING IS A CONTROLLED DOCUMENT.		DWN jr_ruth 08FEB05	Tyco Electronics Corporation Harrisburg, PA 17105		
DIMENSIONS: INCHES	TOLERANCES UNLESS OTHERWISE SPECIFIED:	CHK D DECKER 08FEB05	NAME		
	0 PLC ± - 1 PLC ± - 2 PLC ± - 3 PLC ± .015 4 PLC ± - ANGLES ± 5°	APVD D DECKER 08FEB05	RING TONGUE		
MATERIAL 081 BRASS	FINISH TIN	PRODUCT SPEC -	APPLICATION SPEC -	SIZE A3	CAGE CODE 00779
		WEIGHT -	DRAWING NO C-42913	RESTRICTED TO -	
CUSTOMER DRAWING			SCALE 3:1	SHEET 1 OF 1	REV R