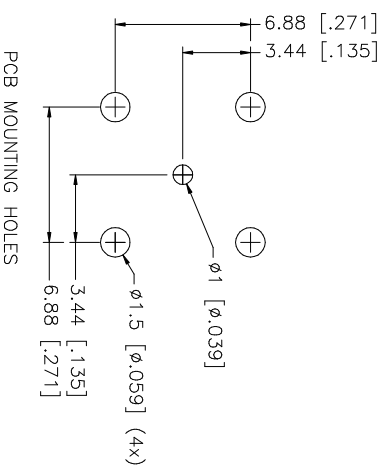
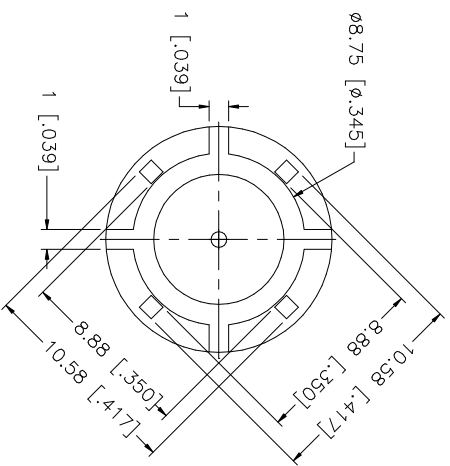
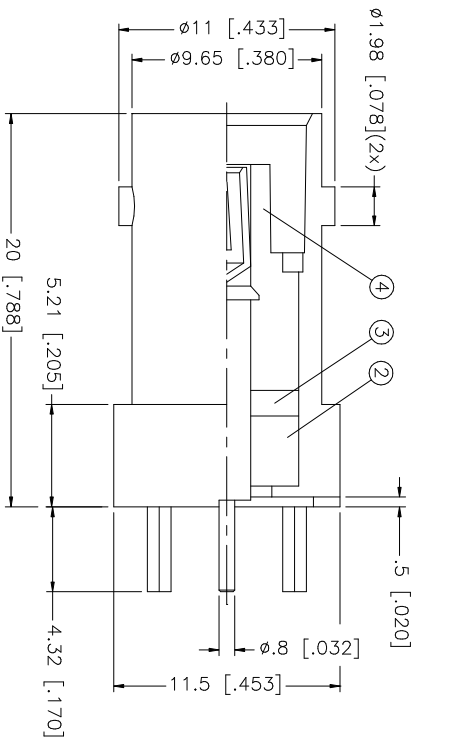


| REV. | DATE | DESCRIPTION |
|------|----------|-----------------------|
| A | 01/10/04 | UPDATE DRAWING FORMAT |



| NO. | DESCRIPTION | MATERIAL | FINISH | QTY | UNLESS OTHERWISE SPECIFIED DIMENSIONS ARE IN INCHES AND FOR CUSTOMER REFERENCE ONLY. | UNLESS OTHERWISE SPECIFIED TOLERANCES FOR MILLIMETERS ARE: | UNLESS OTHERWISE SPECIFIED TOLERANCES FOR INCHES ARE: | APPROVALS | DATE | PART DESCRIPTION | | |
|-------------|-------------|--------------|---------|-----|--|--|---|------------|----------|--|--------|----------|
| 8 | | | | | | 0.5 - 8mm ± 0.20mm | .020 - .315 = ± 0.007" | DRAWN | 01/10/04 | Amphenol Connex BNC P.C. MOUNT RECEPTACLE JACK (WATERPROOF) 112591 | | |
| 7 | | | | | 8 - 30mm ± 0.40mm | .315 - 1.180 = ± 0.015" | G.R.S. | | | | | |
| 6 | | | | | 30 - 120mm ± 0.50mm | 1.180 - 4.724 = ± 0.020" | CHECKED | | | | | |
| 5 | LOCK RING | BRASS | NICKEL | 1 | | | ISSUED | | | | | |
| 4 | GASKET | SILICONE | RED | 1 | | | SHEET | 1 OF 1 | | | | |
| 3 | CONTACT PIN | PHOS. BRONZE | GOLD | 1 | | | CAD FILE | | | | | |
| 2 | INSULATOR | TEFLON | NATURAL | 2 | | | C:/112/112591.DWG | | | | | |
| 1 | BODY | BRASS | NICKEL | 1 | | | DWG. NO. | 112591.DWG | REV. A | | SIZE A | SCALE NA |
| DESCRIPTION | | | | | FINISH | QTY | DO NOT SCALE DRAWING | | | | | |