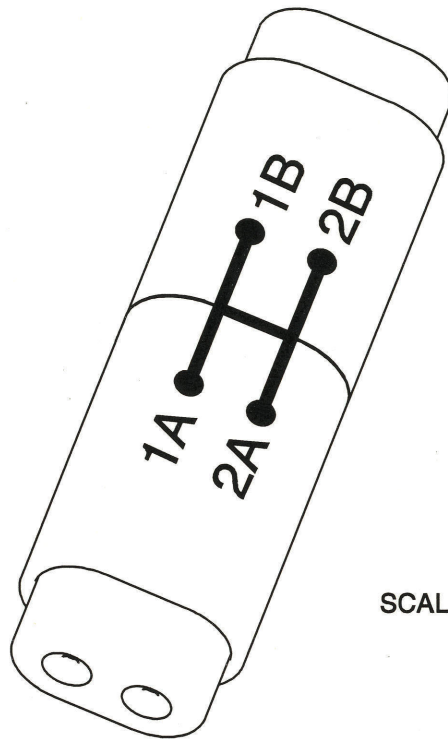
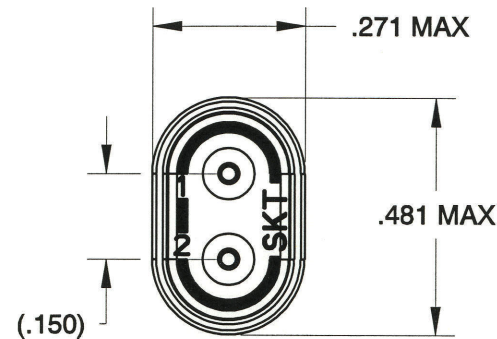
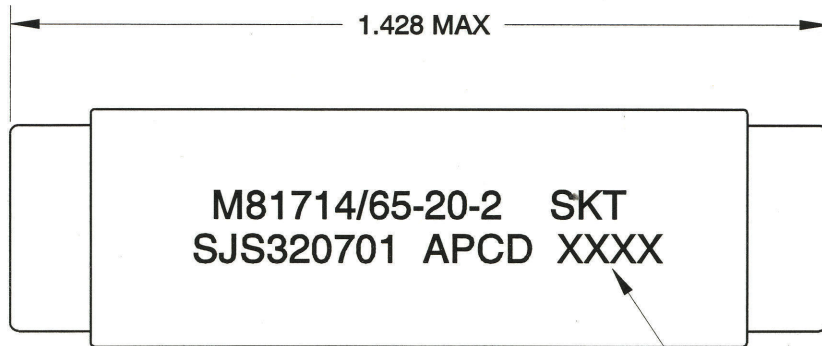


REV	ECN	APP'D
-	4679	JT 12/20/01
A	5793	RS 1/27/06
B	5971	



DATE CODE

NOTES:

- MATERIALS:
INSULATOR BODY: POLYETHERIMIDE PER ASTM-D-5205
WIRE-SEALING GROMMET: SILICONE RUBBER PER A-A-59588
INTERNAL CONTACT: COPPER ALLOY, GOLD FINISH
- PART ACCEPTS M39029/22-192 SOCKET CONTACTS (5 SUPPLIED).
- OPERATING RANGE:
TEMPERATURE: -65° C TO 200° C
INSULATION RESISTANCE: 5000 MEGOHMS MIN
DIELECTRIC WITHSTANDING VOLTAGE: 1500 VRMS, SEA LEVEL
200 VRMS, 100,000 FT ALTITUDE
CURRENT RATING: 7.5 AMPS
VIBRATION AND SHOCK: PER MIL-T-81714, PARA. 3.5.5 AND 3.5.8.

SCALE 3:1

PART NO.	DESCRIPTION	P/N MARKING
SJS320601	CONTACTS NOT SUPPLIED	SJS320701
SJS320701	QTY 5, M39029/22-192 INCLUDED QTY 1, MS27488-20-1 SEALING PLUG INCLUDED	

DIMENSIONS ANSI Y14.5M UNITS: INCHES Pro/E FILE	TOLERANCES .XX ±0.01 .XXX ±0.005 ANGLES ±1.0°	PROJECTION 	Amphenol Pcd SPECIFICATION DRAWING		TITLE SJS WIRE SPLICE DOUBLE BUSSED, SIZE 20		
			ENGR S. HORNER 12/17/01	SIZE A		DWG NO. SJS320701_C	
THIS DOCUMENT CONTAINS PROPRIETARY INFORMATION WHICH IS THE CONFIDENTIAL PROPERTY OF AMPHENOL PCD INC., PEABODY, MA			CHKD <i>R. Joann</i> 10/24/04 APPD <i>Scal T</i> 10/24/04		CODE: 58982	SCALE: 3:1	SHEET 1 OF 1