

PRODUCT NO.

SEE TABLE

10085176 - XXX

LF

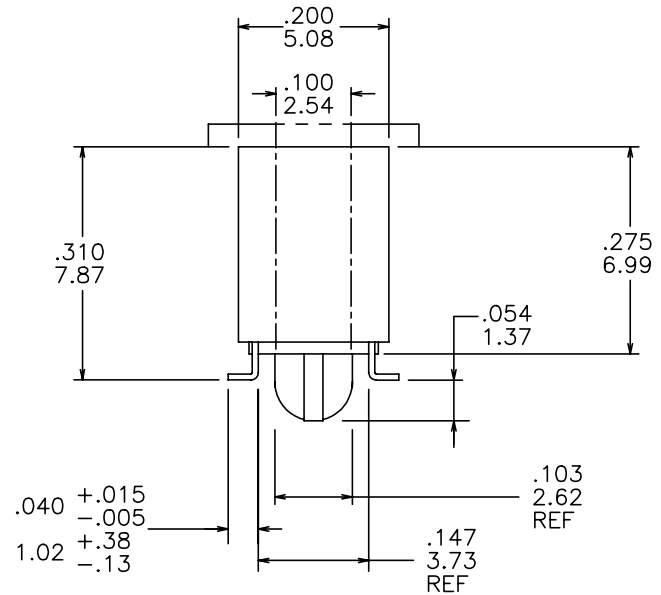
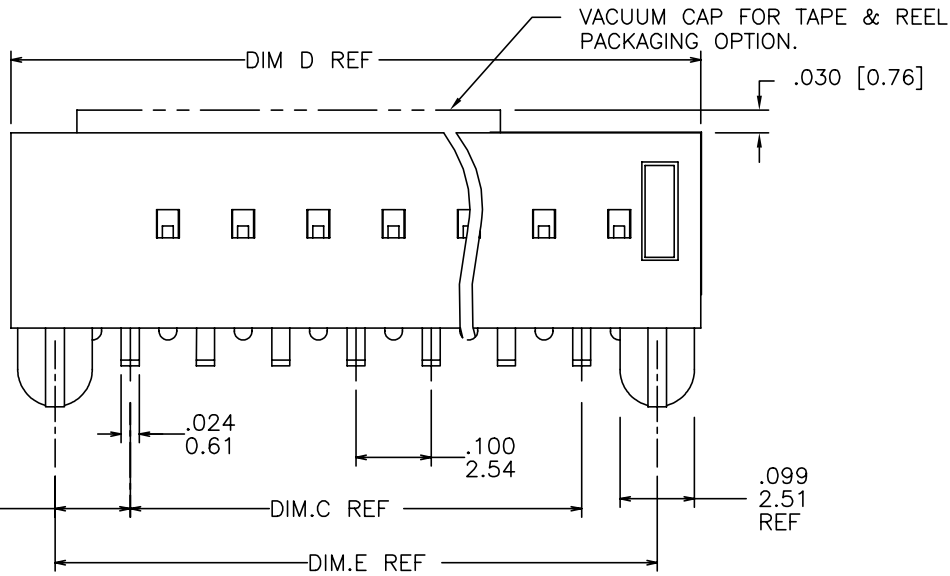
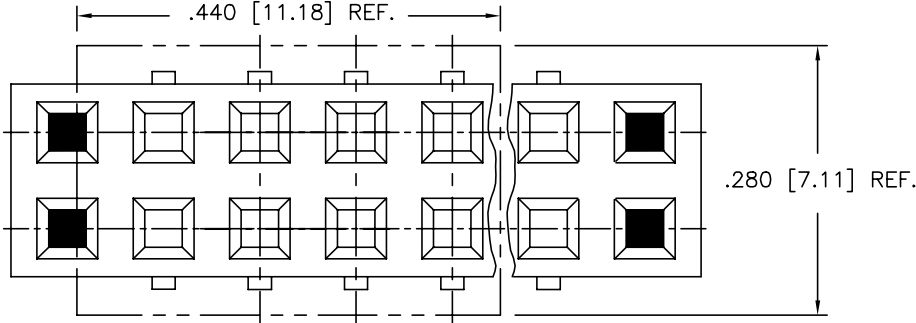
LEAD FREE

PACKAGING OPTION NOTE 8, OMIT IF NOT REQUIRED.

NO. OF POSITIONS PER ROW

PLATING CODE

BASE PART NUMBER



mat'l. code		surface		tolerance		projection		product family	
NOTES 1,3,8 & 12		ISO 1302 ✓		ISO 406		ISO 1101		DUBOX	
ltr	ecr	ndr	date	tolerances unless otherwise specified				title	
A	MO8-0072	MHT	2/17/07	XXX±.01/XXX±.03		INCH/MM		SMT DOUBLE ROW	
B	ELX-N-14890	ZK	06/03/13	XXX±.0005/XXX±0.13		scale 1:1		VCC ASSEMBLY	
				0°±2'		XXX±.0020/XXX±0.051		dwg no	
				dr		M.HERNANDEZ 2/17/07		sheet 1 of 6	
				engr		A.LUGO 2/17/07		size	
				chr		A.LUGO 2/17/07		10085176	
				appd		A.LUGO 2/17/07		type Product Customer Drawing	
sheet	revision	B	B	B	B	B	B		
index	sheet	1	2	3	4	5	6		

PRODUCT NUMBER
SEE TABLE

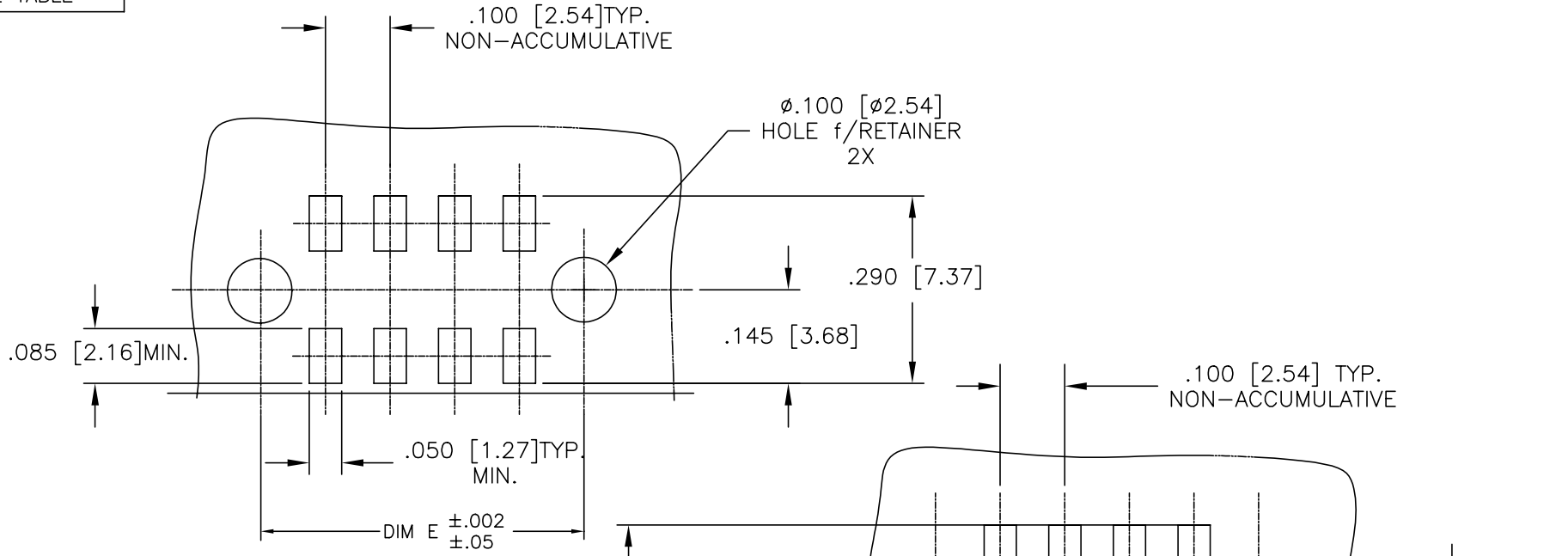


FIGURE A
TOP ENTRY
.025/.64 SQUARE PIN

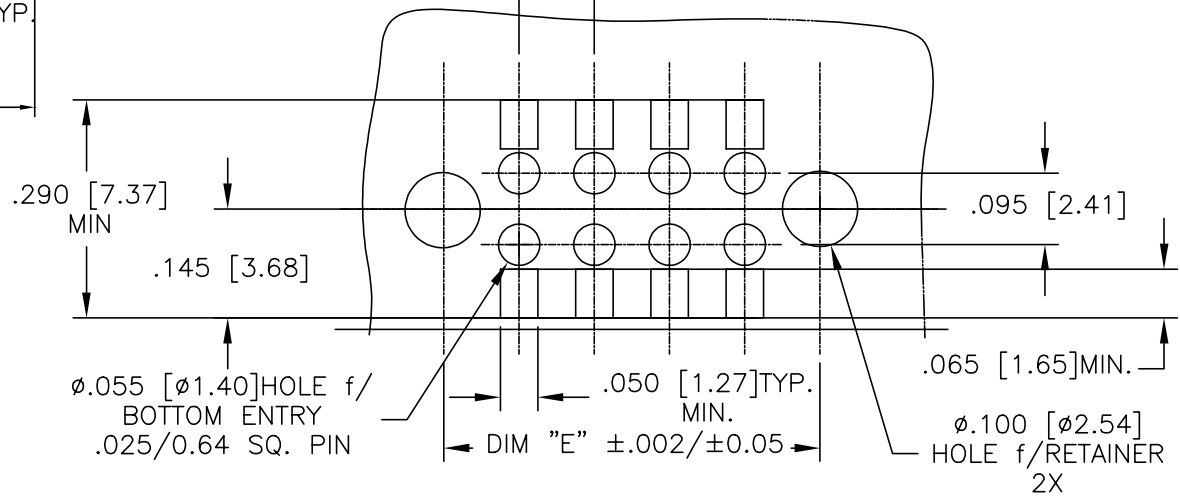


FIGURE B
BOTTOM ENTRY (THROUGH PWB)
.025/.64 SQUARE PIN

mat'l. code NOTES 1,3,8 & 12		surface ISO 1302	tolerance ISO 1302 ISO 406 ISO 1101	projection ASME Y14.5	product family DUBOX
ltr ecn nopr date		tolerances unless otherwise specified		title SMT DOUBLE ROW VCC ASSEMBLY	
B		angles	linear	INCH/MM	scale 1:1
		0°±2'	XXX±.01/XXX±.03 XXX±.005/XXX±.013 XXX±.002/XXX±.051		
		dr	M.HERNANDEZ	2/17/07	dwg no
		engr	A.LUGO	2/17/07	sheet 2 of 6
		chr	A.LUGO	2/17/07	size
		appd	A.LUGO	2/17/07	A3
sheet index		revision sheet		type Product Customer Drawing	

1

2 3

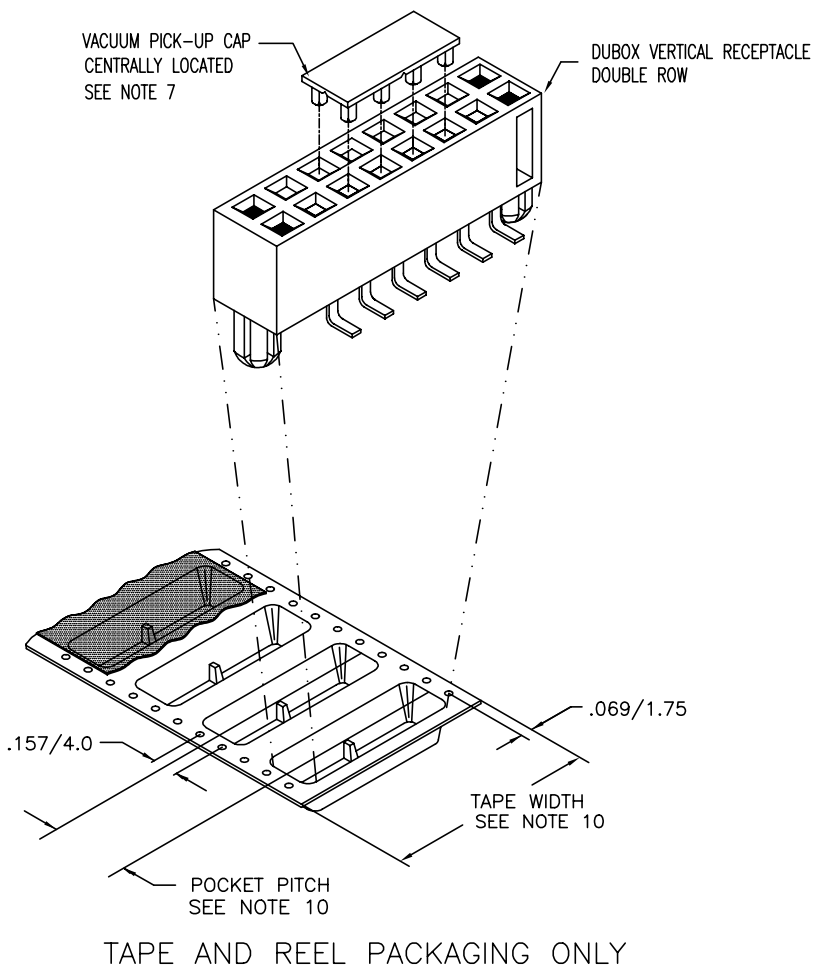
4

5

6

PRODUCT NO.

SEE TABLE



Copyright FCI

mat'l. code		surface		tolerance		projection		product family		
NOTES 1,3,8& 12		ISD 1302 ✓		ISD 406 ISD 1101				DUBOX		
ltr ecn n°dr date		tolerances unless otherwise specified		INCH/MM		title				
B		linear		.XXX±.01/.XXX±.03 .XXX±.0005/.XXX±.013		SMT DOUBLE ROW VCC ASSEMBLY				
		0°±2'		.XXX±.0020/.XXX±.0051		scale 1:1				
		dr		M.HERNANDEZ 2/17/07				dwg no		
		engr		A.LUGO 2/17/07				sheet 3 of 6		size
		chr		A.LUGO 2/17/07				10085176		A3
		appd		A.LUGO 2/17/07				type Product Customer Drawing		
sheet index	revision sheet									

PRODUCT NO NOTE 11	PLATING CONTACT AREA	PLATING SOLDER TAIL	MATERIAL REF
10085176-2XXLF	15u"/.38u Au MIN OVER 50u"/1.27u Ni MIN SEE NOTE 14	100u"/160u" 2.54u/4.06u	NOTE 3 & 4
10085176-3XXLF	30u"/.76u Au MIN OVER 50u"/1.27u Ni MIN SEE NOTE 14	100u"/160u" 2.54u/4.06u	NOTE 3 & 4
10085176-6XXLF	30u"/.76u Au MIN OVER 50u"/1.27u Ni MIN SEE NOTE 14	100u"/160u" 2.54u/4.06u	NOTE 3 & 4

NOTES:

- ①. MATERIAL TERMINAL: PHOSPHOR BRONZE,
- 2. RECOMMENDED APPLICATION DATA:
 - A. RECOMMENDED SOLDER PAD PATTERN IS SHOWN IN FIGURE A & B.
 - B. ALL MATING PINS TO BE .025/.64. SQUARE ON TRUE CENTER OF GIVEN TERMINAL SPACING WITHIN .015/.38. DIA.
 - C. SUGGESTED MATING PIN LENGTH .210 ±.020/5.33 ±.51.
- ③. MATERIAL HOUSING: P.P.S. FILLED,COLOR BLACK
FLAME RETARDANT PER UL 94V-0.
COMPATIBLE WITH INFRA-RED SOLDERING.
THIS PART WILL WITHSTAND EXPOSURES TO 260°C
PEAK TEMPERATURE FOR 20 SECONDS IN WAVE SOLDER,
INFRA-RED OR VAPOR PHASE SOLDER PROCESS.
- ④. PRESTAMPED POST PLATED TERMINALS.
- 5. FCI, FCI FINAL PART NUMBER AND DATE CODE
TO BE MARKED ON TUBE LABEL.
- 6. CARRIER TAPE WIDTH 24 MIN. & BELOW TO HAVE
PILOT HOLES ON ONE SIDE OF TAPE ONLY.
SIZES ABOVE 24mm TO HAVE PILOT HOLES ON
BOTH SIDES OF TAPE.
- ⑦. VACUUM CAP MATERIAL FOR TAPE & REEL PACKAGING:
L.C.P., FLAME RETARDANT PER UL 94V-0.
COLOR: BLACK
- ⑧. ADD SUFFIX "P" TO PART DASH NUMBER
FOR TAPE AND REEL PACKAGING.
EXAMPLE: 10085176-XXXXP
- 9. MAXIMUM LENGTH OF CONNECTOR FOR
TAPE AND REEL PACKAGING IS
2.50 INCHES LONG/63.5 MM.
- ⑩. TAPE & REEL PACKAGING 72mm WIDE
TAPE WITH 16mm POCKET PITCH.
- ⑪. PART NUMBER WITH "LF" SUFFIX AT THE END ARE LEAD FREE.
- 12. THESE PRODUCTS MEETS EUROPEAN UNION DIRECTIVES AND OTHER COUNTRY
REGULATION AS DESCRIBED IN GS-22-008.
- ⑬. "THIS PRODUCT HAS 100%% TIN PLATING IN THE INTERFACE
AND HAS NOT BEEN TESTED FOR WHISKER GROWTH IN ALL
INTERCONNECT ENVIRONMENTS."
- ⑭. PLATING OPTIONS:
MAY BE EITHER GOLD OR GXT PLATED AT MANUFACTURER'S OPTION.

FCI
FCIconnect.com

Copyright FCI

mat'l code NOTES 1,3,8 & 12		surface ISO 1302 ✓	tolerance ISO 406 ISO 1101	projection 	product family DUBOX
l	tr	ec	n	o	dr
date		tolerances unless otherwise specified		title	
B		angles	linea	INCH/MM	SMT DOUBLE ROW VCC ASSEMBLY
		0°±2'	XXX±.01/XXX.3 XXX±.0005/XXX.13 XXX±.0020/XXX.05	scale 1:1	
		dr	M.HERNANDEZ	2/17/07	dwg no
		engr	A.LUGO	2/17/07	sheet 4 of 6
		chr	A.LUGO	2/17/07	size 10085176 A3
		appd	A.LUGO	2/17/07	type Product Customer Drawing
sheet	revisi				
index	sheet				

PRODUCT NO	NO OF POS	DIM C	DIM D	DIM E	TAPE & REEL PACKAGING	LEAD FREE
10085176-Y02LF	2 X 2	.100/2.54	.417/10.59	.300/7.62	NO	
10085176-Y03LF	2 X 3	.200/5.08	.517/13.13	.400/10.16	NO	
10085176-Y04LF	2 X 4	.300/7.62	.617/15.67	.500/12.70	NO	
10085176-Y05LF	2 X 5	.400/10.16	.717/18.21	.600/15.24	NO	
10085176-Y06LF	2 X 6	.500/12.70	.817/20.75	.700/17.78	NO	
10085176-Y07LF	2 X 7	.600/15.24	.917/23.29	.800/20.32	NO	
10085176-Y08LF	2 X 8	.700/17.78	1.017/25.83	.900/22.86	NO	
10085176-Y09LF	2 X 9	.800/20.32	1.117/28.37	1.000/25.40	NO	
10085176-Y10LF	2 X 10	.900/22.86	1.217/30.91	1.100/27.94	NO	
10085176-Y11LF	2 X 11	1.000/25.40	1.317/33.45	1.200/30.48	NO	
10085176-Y12LF	2 X 12	1.100/27.94	1.417/35.99	1.300/33.02	NO	
10085176-Y13LF	2 X 13	1.200/30.48	1.517/38.53	1.400/35.56	NO	
10085176-Y14LF	2 X 14	1.300/33.02	1.617/41.07	1.500/38.10	NO	
10085176-Y15LF	2 X 15	1.400/35.56	1.717/43.61	1.600/40.64	NO	
10085176-Y16LF	2 X 16	1.500/38.10	1.817/46.15	1.700/43.18	NO	
10085176-Y17LF	2 X 17	1.600/40.64	1.917/48.69	1.800/45.72	NO	
10085176-Y18LF	2 X 18	1.700/43.18	2.017/51.23	1.900/48.26	NO	
10085176-Y19LF	2 X 19	1.800/45.72	2.117/53.77	2.000/50.80	NO	
10085176-Y20LF	2 X 20	1.900/48.26	2.217/56.31	2.100/53.34	NO	
10085176-Y20PLF	2 X 20	1.900/48.26	2.217/56.31	2.100/53.34	YES - NOTE 8 & 10	
10085176-Y21LF	2 X 21	2.000/50.80	2.317/58.85	2.200/55.08	NO	
10085176-Y22LF	2 X 22	2.100/53.34	2.417/61.39	2.300/58.42	NO	
10085176-Y23LF	2 X 23	2.200/55.88	2.517/63.93	2.400/60.96	NO	
10085176-Y24LF	2 X 24	2.300/58.42	2.617/66.47	2.500/63.50	NO	
10085176-Y25LF	2 X 25	2.400/60.96	2.717/69.01	2.000/66.04	NO	

NOTE 11

mat'l. code	surface	tolerance	projection	product family
NOTES 1,3,8 & 12	ISO 1302 ✓	ISO 406 ISO 1101		DUBOX
ltr ecn n d r date	tolerances unless otherwise specified		INCH/MM	title
B	angles	.XXX±.01 / .XXX±.03	scale 1:1	SMT DOUBLE ROW VCC ASSEMBLY
	linear	.XXX±.0005 / .XXX±.013		
	0°±2'	.XXX±.0020 / .XXX±.0051		
	dr	M.HERNANDEZ 2/17/07		dwg no
	engr	A.LUGO 2/17/07		sheet 5 of 6
	chr	A.LUGO 2/17/07		size
	appd	A.LUGO 2/17/07		A3
sheet index	revision sheet			type Product Customer Drawing



Copyright FCI

PRODUCT NO	NO OF POS	DIM C	DIM D	DIM E	TAPE & REEL PACKAGING	LEAD FREE
10085176-Y26LF	2 X 26	2.500/63.50	2.817/71.55	2.700/68.58	NO	NOTE 11
10085176-Y27LF	2 X 27	2.600/66.04	2.917/74.09	2.800/71.12	NO	
10085176-Y28LF	2 X 28	2.700/68.58	3.017/76.63	2.900/73.66	NO	
10085176-Y29LF	2 X 29	2.800/71.12	3.117/79.17	3.000/76.20	NO	
10085176-Y30LF	2 X 30	2.900/73.66	3.217/81.71	3.100/78.74	NO	
10085176-Y31LF	2 X 31	3.000/76.20	3.317/84.25	3.200/81.28	NO	
10085176-Y32LF	2 X 32	3.100/78.74	3.417/86.79	3.300/83.32	NO	
10085176-Y33LF	2 X 33	3.200/81.28	3.517/89.33	3.400/86.36	NO	
10085176-Y34LF	2 X 34	3.300/83.32	3.617/91.87	3.500/88.90	NO	
10085176-Y35LF	2 X 35	3.400/86.36	3.717/94.41	3.600/91.44	NO	
10085176-Y36LF	2 X 36	3.500/88.90	3.817/96.95	3.700/93.98	NO	
10085176-Y37LF	2 X 37	3.600/91.44	3.917/99.49	3.800/96.52	NO	
10085176-Y38LF	2 X 38	3.700/93.98	4.017/102.03	3.900/99.06	NO	
10085176-Y39LF	2 X 39	3.800/96.52	4.117/104.57	4.000/101.60	NO	
10085176-Y40LF	2 X 40	3.900/99.06	4.217/107.11	4.100/104.14	NO	
10085176-Y41LF	2 X 41	4.000/101.60	4.317/109.65	4.200/106.68	NO	
10085176-Y42LF	2 X 42	4.100/104.14	4.417/112.19	4.300/109.22	NO	
10085176-Y43LF	2 X 43	4.200/106.68	4.517/114.73	4.400/111.76	NO	
10085176-Y44LF	2 X 44	4.300/109.22	4.617/117.27	4.500/114.30	NO	
10085176-Y45LF	2 X 45	4.400/111.76	4.717/119.81	4.600/116.84	NO	
10085176-Y46LF	2 X 46	4.500/114.30	4.817/122.35	4.700/119.38	NO	
10085176-Y47LF	2 X 47	4.600/116.84	4.917/124.89	4.800/121.92	NO	
10085176-Y48LF	2 X 48	4.700/119.38	5.017/127.43	4.900/124.46	NO	
10085176-Y49LF	2 X 49	4.800/121.92	5.117/129.97	5.000/127.00	NO	
10085176-Y50LF	2 X 50	4.900/124.46	5.217/132.51	5.100/129.54	NO	
10085176-Y16PLF	2 X 16	1.500/38.10	1.817/46.15	1.700/43.18	YES - NOTE 8 & 10	

mat'l. code	surface	tolerance	projection	product family
NOTES 1,3,8 & 12	ISO 1302 ✓	ISO 406 ISO 1101		DUBOX
ltr ecn ndr date	tolerances unless otherwise specified		INCH/MM	title
B	angles	linear	scale 1:1	SMT DOUBLE ROW VCC ASSEMBLY
	0°±2'			dwg no
	dr	M.HERNANDEZ	2/17/07	sheet 6 of 6
	engr	A.LUGO	2/17/07	size
	chr	A.LUGO	2/17/07	10085176
	appd	A.LUGO	2/17/07	type Product Customer Drawing
sheet index	revision sheet			



FCIconnect.com

Copyright FCI