

10

9

8

7

6

5

4

3

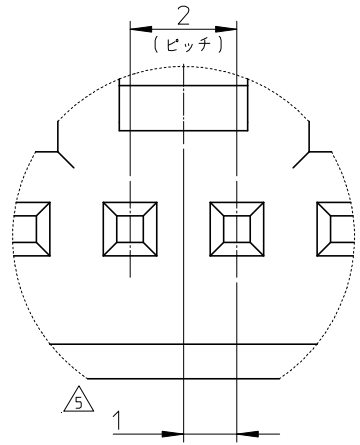
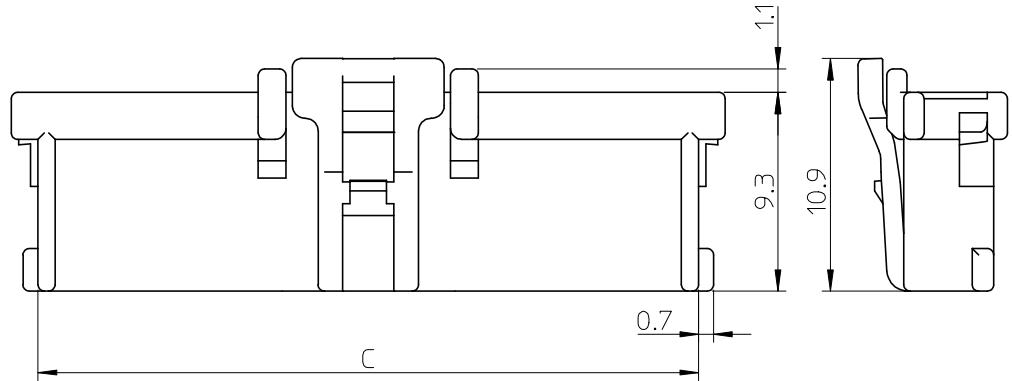
2

1

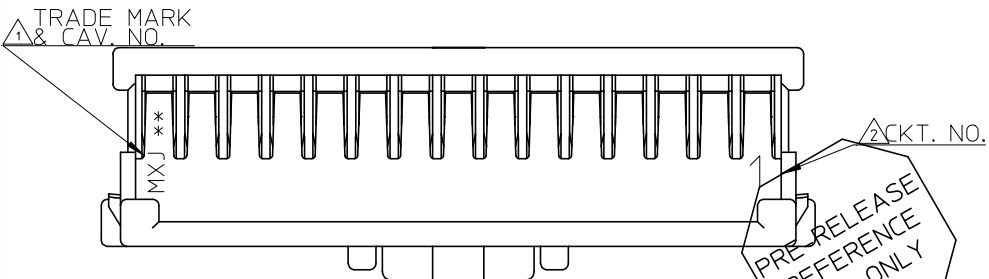
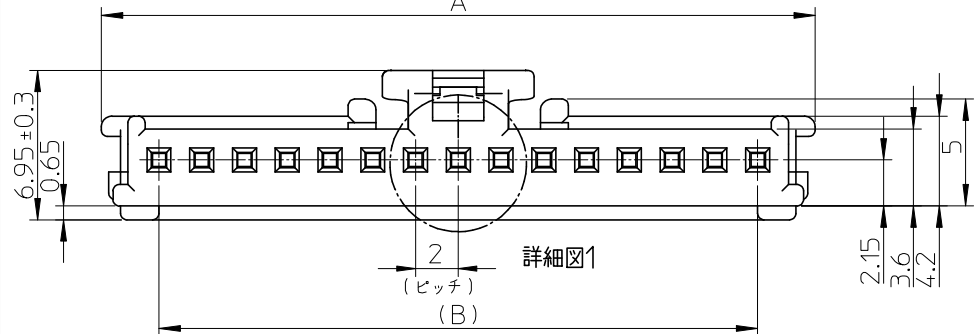
NOTES

- ① 文字の大きさは0.7にて鮮明な事。
SIZE OF LETTERS 0.7 AND CLEAR.
- ② 文字の大きさは1にて鮮明な事。
SIZE OF LETTERS 1 AND CLEAR
- 3. 適合ターミナル:59370,56134シリーズ
APPLICABLE TERM. : 59370,56134SERIES.
- 4. 嵌合相手:55932,55935シリーズ
MATE WITH : 55932,55935SERIES.
- ⑤ 偶数極に適用。
APPLY EVEN CIRCUIT
- 6. 材料 66NYLON
MATERIAL NO.
- 7. 製品番号
51382-****

極数 CKT	色 COLOR	自然色 (白) NATURAL(WHITE)	00
	黒	BLACK	01
	赤	RED	02
	黄	YELLOW	03
	青	BLUE	04
	桃	PINK	05
	緑	GREEN	06
	茶	BROWN	07
	橙	ORANGE	08
	紫	VIOLET	09
	灰	GRAY	11
	蛍光黄	FLUORESCENCE YELLOW	13
	水	PALE BLUE	14
	黄緑	YELLOWISH GREEN	16



詳細図1 Scale 10:1



30.9	28	33.4	51382-15**	15
28.9	26	31.4	51382-14**	14
26.9	24	29.4	51382-13**	13
24.9	22	27.4	51382-12**	12
22.9	20	25.4	51382-11**	11
20.9	18	23.4	51382-10**	10
18.9	16	21.4	51382-09**	9
16.9	14	19.4	51382-08**	8
14.9	12	17.4	51382-07**	7
12.9	10	15.4	51382-06**	6
10.9	8	13.4	51382-05**	5
8.9	6	11.4	51382-04**	4
6.9	4	9.4	51382-03**	3
4.9	2	7.4	51382-02**	2
C	B	A	MATERIAL NO.	CKT

REVISED EC NO: J2013-0766 DRWN:YMAE 2013/01/15 CHKD: APPR:Y01TO 2013/01/15 DESCRIPTION	GENERAL TOLERANCES (UNLESS SPECIFIED)		DIMENSION STYLE MM ONLY		SCALE 4:1	DESIGN UNITS METRIC	THIRD ANGLE PROJECTION	
	10 UNDER	±0.2	DRAWN BY DATE T.NIITSU '02/3/19		TITLE 2.0 W/B CONN. HOUSING			
	10 OVER 30 UNDER	±0.3	CHECKED BY DATE T. ITO '02/10/22					
	30 OVER	±0.3	APPROVED BY DATE T. YAMAGU '02/10/22		molex DOCUMENT NO. SD-51382-002 SHEET NO. 1 OF 2			
	ANGULAR ±3 °		MATERIAL NO. SEE TABLE					
DRAFT WHERE APPLICABLE MUST REMAIN WITHIN DIMENSIONS		SIZE A3	THIS DRAWING CONTAINS INFORMATION THAT IS PROPRIETARY TO MOLEX INCORPORATED AND SHOULD NOT BE USED WITHOUT WRITTEN PERMISSION					

9

8

7

6

5

4

3

2

1

10

9

8

7

6

5

4

3

2

1

F

E

D

C

B

A

F

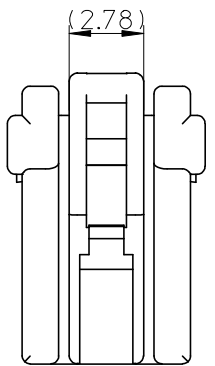
E

D

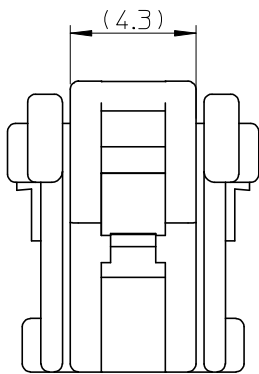
C

B

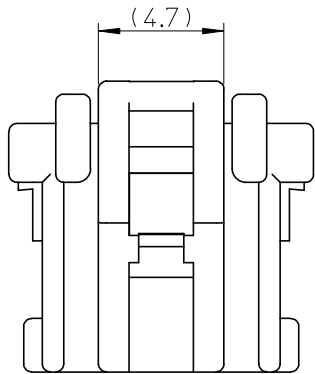
A



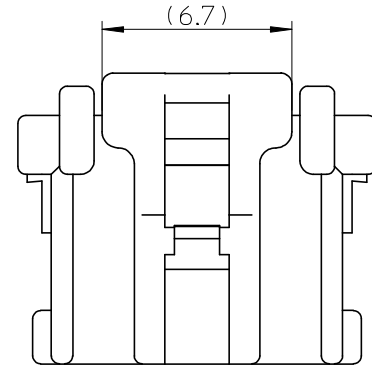
2極品



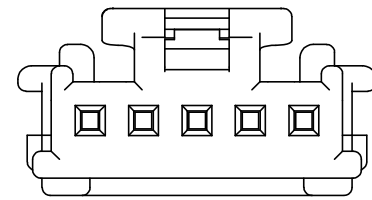
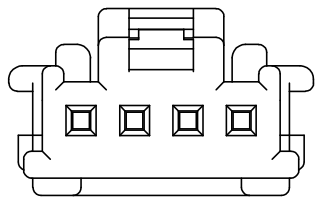
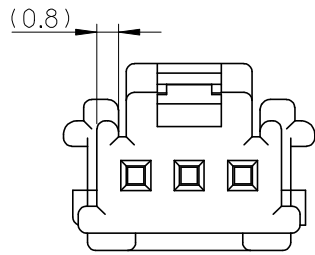
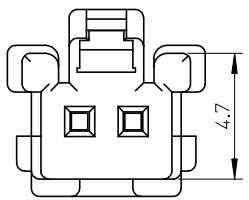
3極品



4極品



5極品以上



PRE-RELEASE
REFERENCE
USE ONLY

REVISED EC NO: J2013-0766 DRWN: YMAKE CHKD: APPR: YO.ITO	DESCRIPTION 2013/01/15	GENERAL TOLERANCES (UNLESS SPECIFIED)		DIMENSION STYLE MM ONLY		SCALE 5:1	DESIGN UNITS METRIC	THIRD ANGLE PROJECTION	
		10 UNDER	± 0.2	DRAWN BY T. NIITSU	DATE '02/3/19	TITLE 2.0 W/B CONN. HOUSING			
		10 OVER 30 UNDER	± 0.3	CHECKED BY T. ITO	DATE '02/10/22				
		30 OVER	± 0.3	APPROVED BY T. YAMAGU	DATE '02/10/22				
		ANGULAR ± 3 °		MATERIAL NO. SEE SHEET 1		DOCUMENT NO. SD-51382-002		SHEET NO. 2 OF 2	
DRAFT WHERE APPLICABLE MUST REMAIN WITHIN DIMENSIONS		THIS DRAWING CONTAINS INFORMATION THAT IS PROPRIETARY TO MOLEX INCORPORATED AND SHOULD NOT BE USED WITHOUT WRITTEN PERMISSION							

9

8

7

6

5

4

3

2