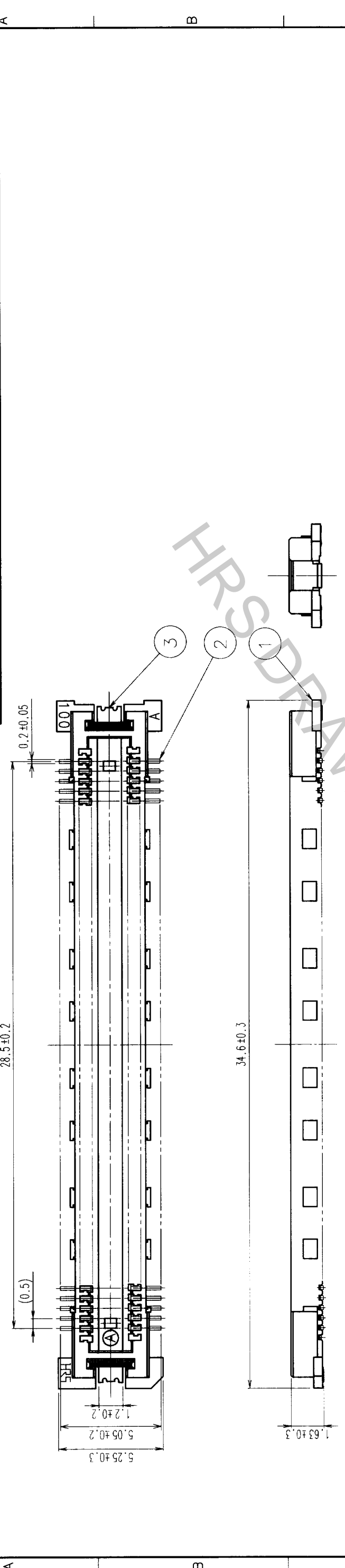
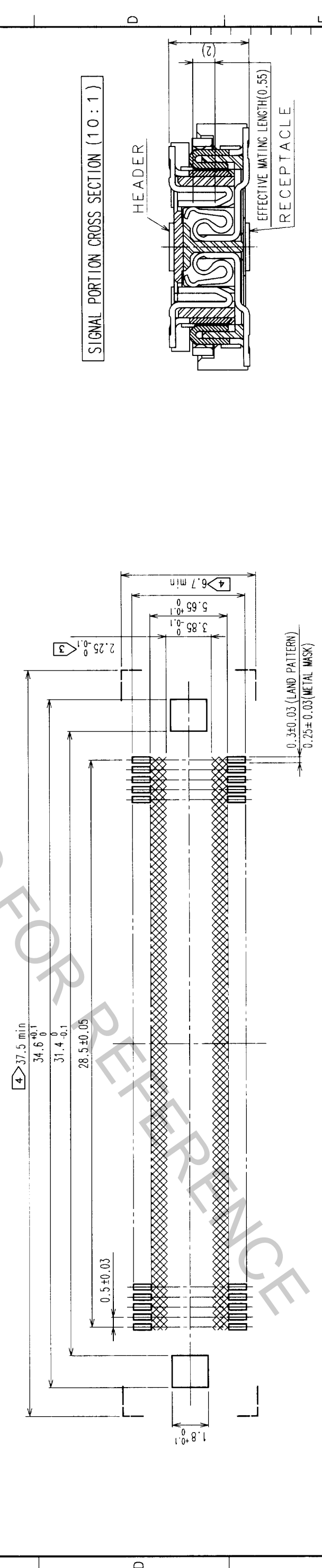


NO.	DESCRIPTION OF REVISIONS	BY	CHKD	DATE	COUNT	DESCRIPTION OF REVISIONS	BY	CHKD	DATE
1									
2									
3									
4									
5									
6									
7									
8									



RECOMMENDED LAND PATTERN DIMENSION OF PCB



NO.	MATERIAL	FINISH	REMARKS	NO.	MATERIAL	FINISH	REMARKS
2	COPPER ALLOY		CONTACT AREA: GOLD (0.1µm) OVER NICKEL	3	PHOSPHOR BRONZE	TIN PLATED	
1	LCP	BEIGE	UL94V-0				

DESIGNED	CHECKED	APPROVED	RELEASED
<i>M. Takahashi</i>	<i>M. Sakuma</i>	<i>T. Yoshimura</i>	
77.10.27	77.10.27	99.10.28	99.10.28

DRAWING NO.	PART NO.
EDC3-152106-02	FX11LB-116P-SV (22)

SCALE	UNITS
5 : 1	mm

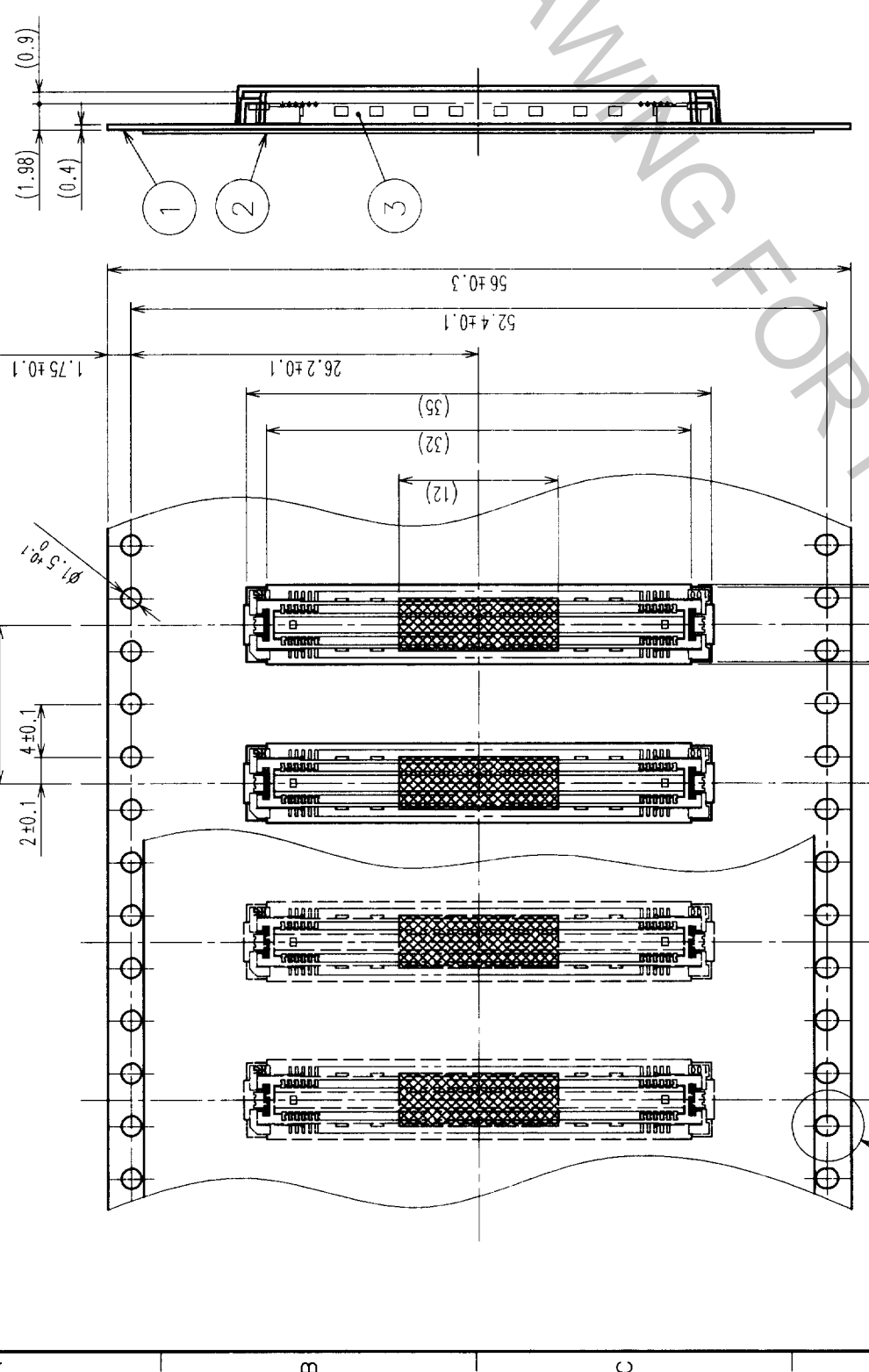
CODE NO. (OLD)	CODE NO.
CL	CL573-0054-0-22

- NOTES
- SMT LEAD-COPLANARITY: 0.1 MAX.
 - THIS PRODUCT HAS NO POLARITY TO PATTERN FOR MOUNTING.
 - MAKE SURE WIDTH OF PATTERN IS WITHIN THAT OF LAND, OR LEAD MAY TOUCH PATTERN. (THIS APPLIES TO HATCHED AREA.)
 - DO NOT MOUNT OTHER DEVICES ONTO [] AREA, OR MATING PAIR CANNOT BE MATED.
 - TO BE EMBOSSED CARRIER TAPED AS SPECIFIED IN SHEET 2.

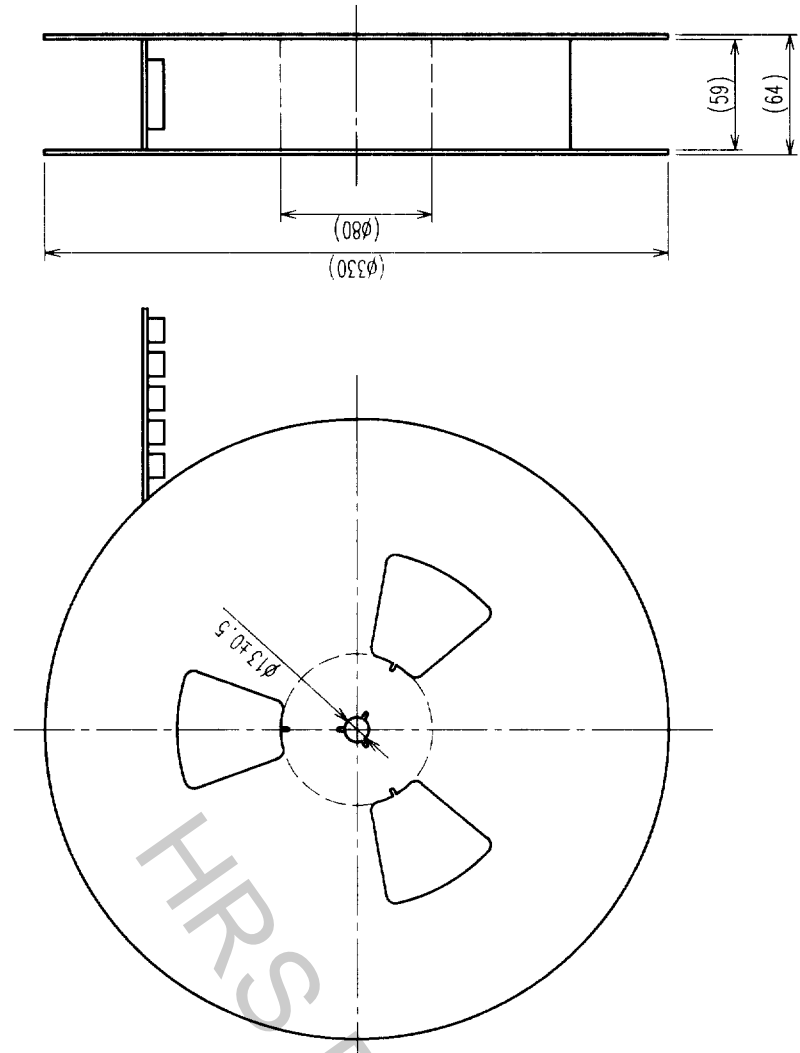
TO	
PCK	

COUNT	DESCRIPTION OF REVISIONS	BY	CHKD	DATE
△				
△				
△				

COUNT	DESCRIPTION OF REVISIONS	BY	CHKD	DATE
△				
△				
△				



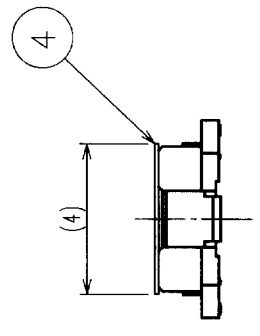
REELED DIMENSION (Free)



THE DIRECTION OF PULLING OUT →

DETAIL FOR VACUUM PICKUP (5:1)

A (5:1)



- NOTES 1 REEL:1000 CONNECTORS.
- 2 MINIMUM 10 COMPARTMENTS FROM BOTH REEL ENDS REMAIN EMPTY.
- 3 THIS PRODUCT HAS NO POLARITY TO TAPE AND REEL PACKAGING.

2	PET	TOP COVER TAPE	4	POLYIMIDE	(TAPE FOR VACUUM PICKUP)
1	PS	EMBOSSED CARRIER TAPE	3	(CONNECTOR)	
NO.	MATERIAL	FINISH, REMARKS	NO.	MATERIAL	FINISH, REMARKS
DRAWING FOR PACKING					
CODE NO. (OLD)		DRAWN		DESIGNED	CHECKED
CL		Mitsuharu		Mitsuharu	J. Johnson
		99.10.27		99.10.28	99.10.28
DRAWING NO.		PART NO.		RELEASED	
EDC3-152106-02		FX11LB-116P-SV(22)			
SCALE		CODE NO.			
2 : 1		CL573-0054-0-22			
UNITS		HIROSE ELECTRIC CO., LTD			
mm					

TO	
PCK	