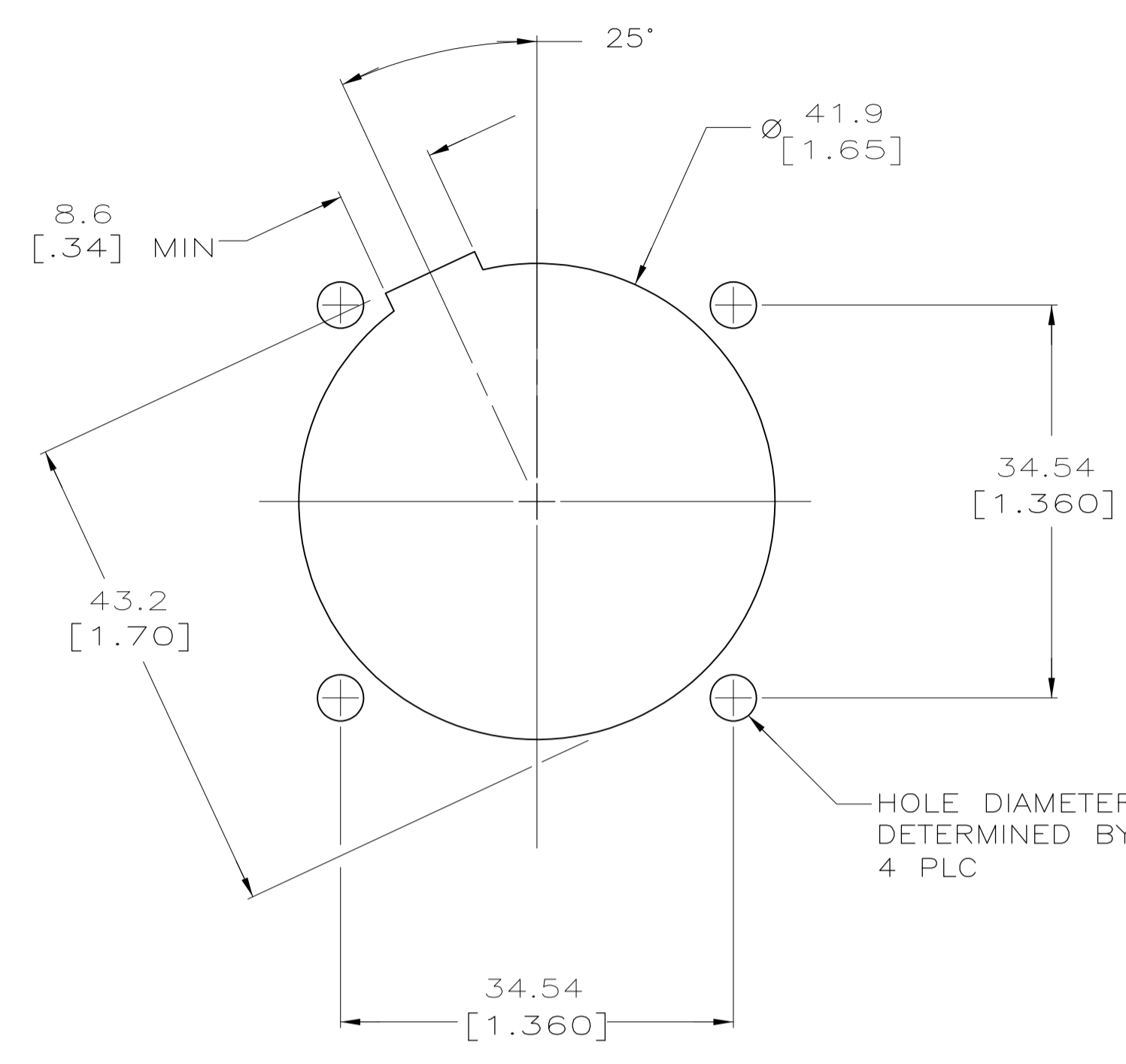
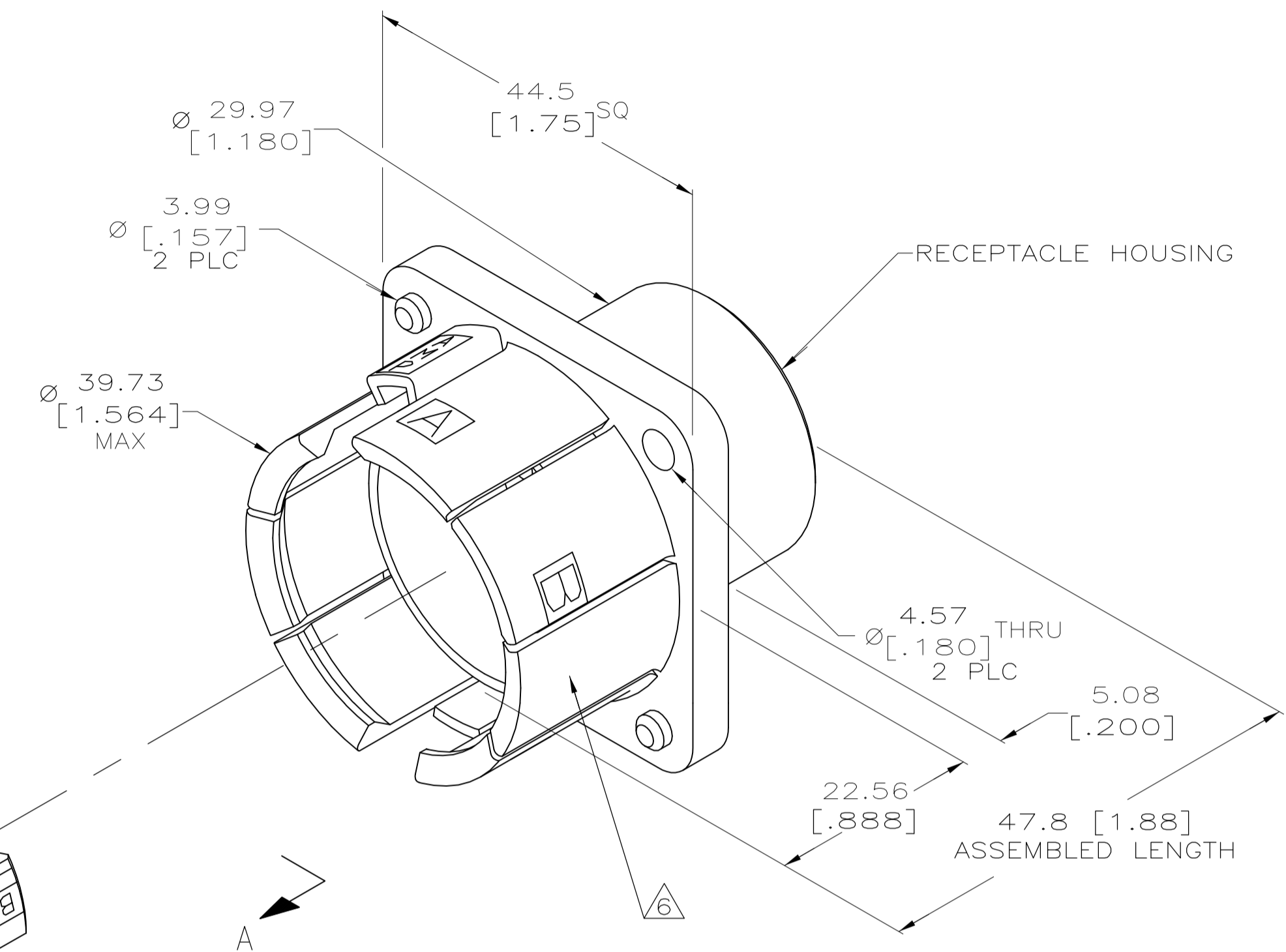


LOC		DIST		REVISIONS			
P	LTR	DESCRIPTION	DATE	DMN	APVD		
G		REVISED PER ECO-05-014437	30NOV05	KW	SR		
G1		REVISED PER ECO-09-022908	08OCT09	KK	AEG		



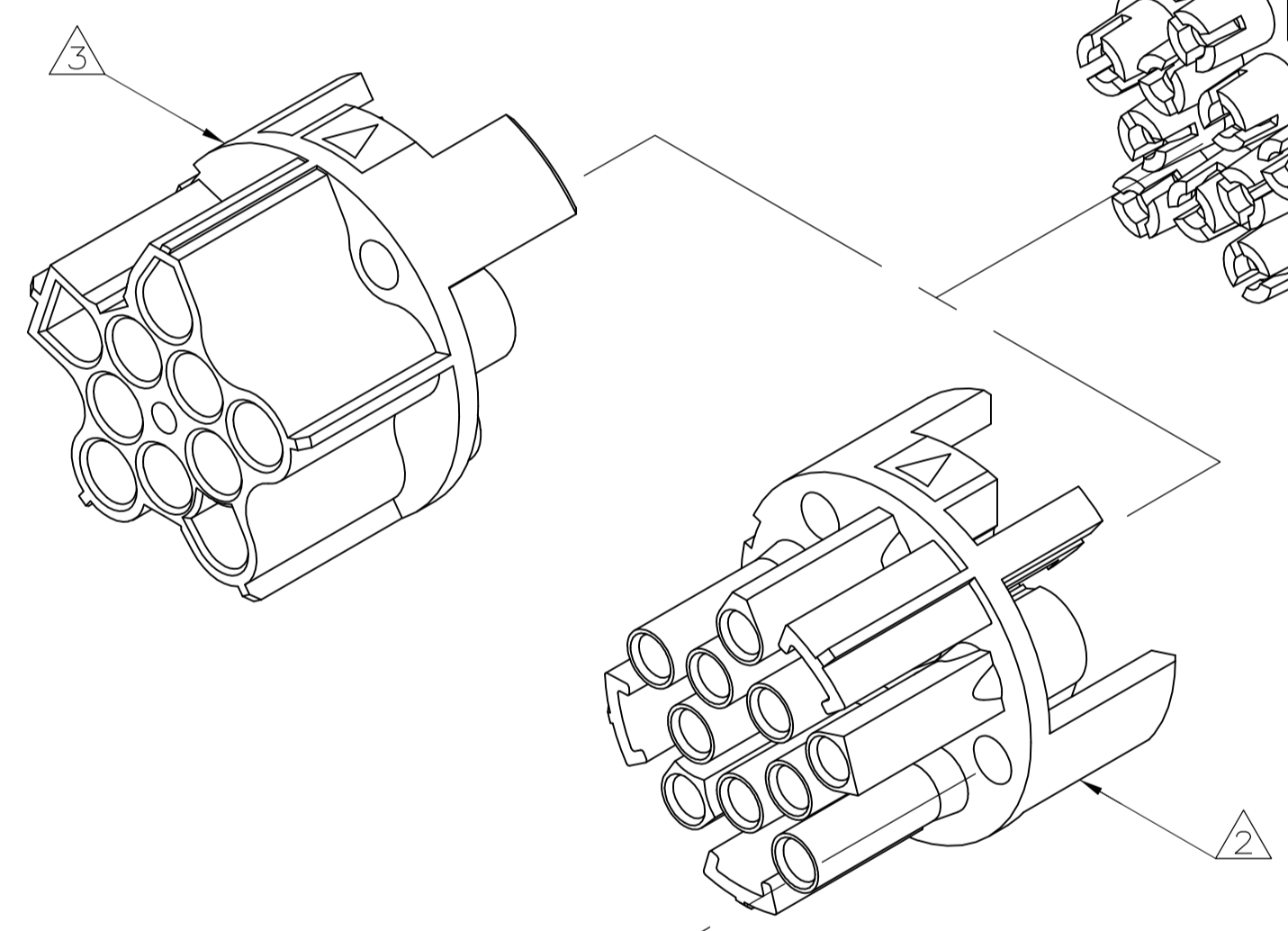
RECOMMENDED PANEL CUT-OUT

HOLE DIAMETERS TO BE DETERMINED BY CUSTOMER  
4 PLC



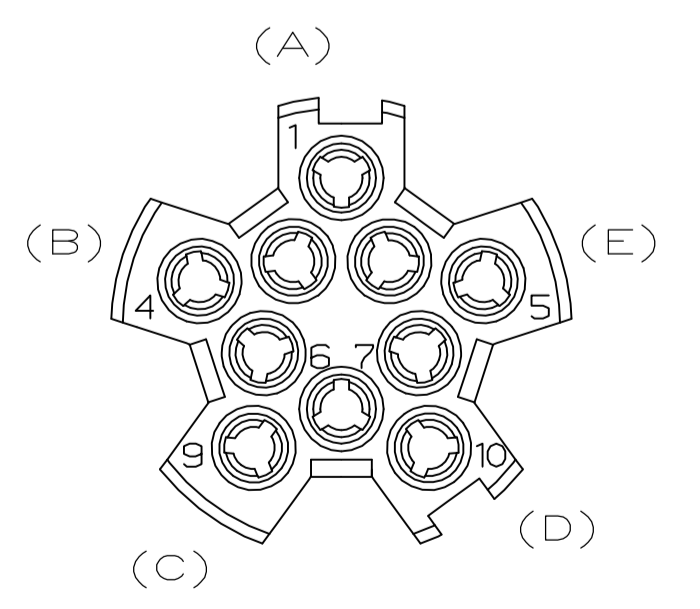
RECEPTACLE HOUSING

CONTACT HOLDER, REAR  
1 REQUIRED



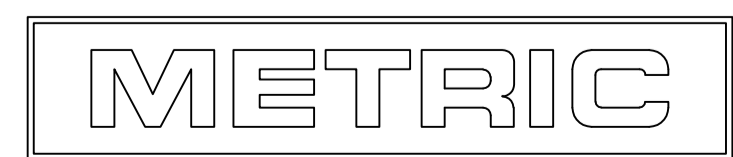
#6 THREAD FORMING, 30.0 [1.18] LONG, SCREW  
2 REQUIRED PER ASSEMBLY - FURNISHED

- ALL PARTS REQUIRED PER ASSEMBLY UNLESS OTHERWISE SPECIFIED
- CONTACT HOLDER FRONT, STYLE P, 1 REQUIRED
- CONTACT HOLDER FRONT, STYLE C, 1 REQUIRED
- MATERIAL: THERMOPLASTIC POLYESTER
- DIMENSIONS IN BRACKETS ARE IN INCHES.
- UNDERWRITERS RECOGNITION COMPONENT MARK AND CSA CERTIFICATION MARK LOCATED ONCE EACH IN INDICATED AREA.
- OBsolete PARTS: OBSOLETE CIS STREAMLINING PER D.RENAUD/D.SINISI



VIEW A-A

FINISH (SCREWS)	NOTES	PART NUMBER	
ZINC, BLACK PHOSPHATE	3	770281-6	
7 OBSOLETE	ZINC, BLACK PHOSPHATE	2	770281-5
7 SUPERSEDED	ZINC, BLACK CHROMATE	3	770281-2
ZINC, BLACK CHROMATE	2	770281-1	



THIS DRAWING IS A CONTROLLED DOCUMENT.

DIMENSIONS: mm [INCHES]	TOLERANCES UNLESS OTHERWISE SPECIFIED:	DIN C. MARTIN 2-17-87	Tyco Electronics Corporation Harrisburg, PA 17105-3608
0 PLC ± -	1 PLC ± -	2-19-94	
2 PLC ± 0.3 [.01]	3 PLC ± 0.13 [.005]	APVD W. BATTY 2-19-94	NAME RECEPTACLE ASSEMBLY, 10 CIRCUIT, MULTI-PIN CIRCULAR POWER CONNECTOR
4 PLC ± -	ANGLES ± 0°30'	APPLICATION SPEC	SIZE A1
MATERIAL 4	FINISH BLACK	WEIGHT	CAGE CODE 00779
CUSTOMER DRAWING		SCALE 2:1	SHEET 1 OF 1

REV G1