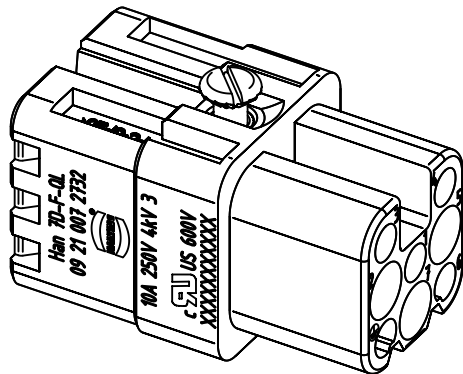
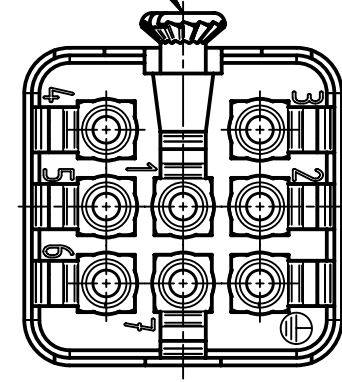
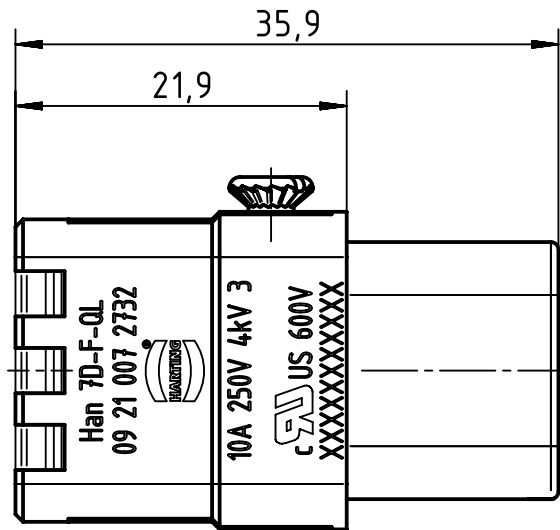
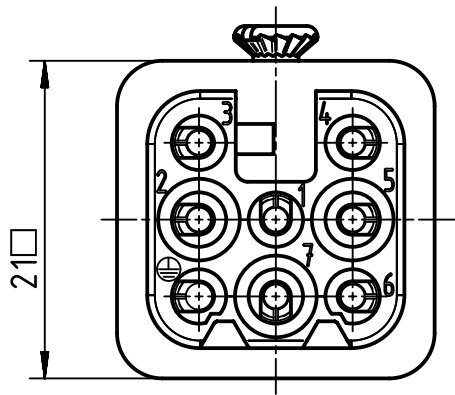


insert fixing screw M3x6  
enclosed separately



	All Dimensions in mm Original Size DIN A4		Scale 2:1	Free size tol.		Ref.
						Sub.
	All rights reserved		Created by RULLKOETTER	Inspected by BERGHORN	Standardisation TIEMANNA	Date 2015-01-07
	Department EL PD - DE		Title Han 7D-F Quick Lock 22 - 16 AWG			State Final Release
HARTING Electric GmbH & Co. KG D-32339 Espelkamp			Type TB	Number 09 21 007 2732		Doc-Key / ECM-Nr. 100172084/UGD/005/A 500000082990
					Rev. A	Page 1/1