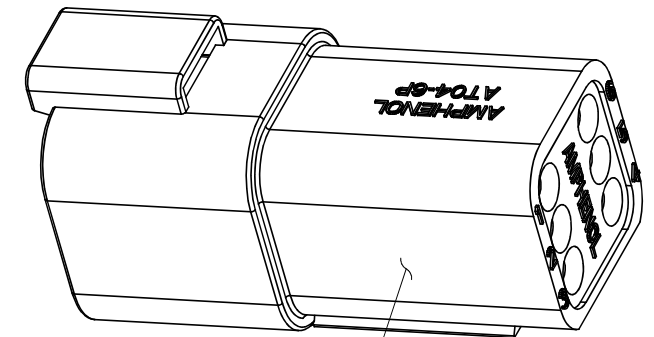
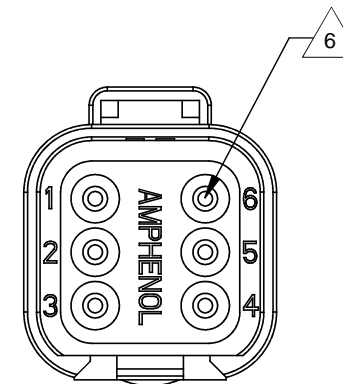
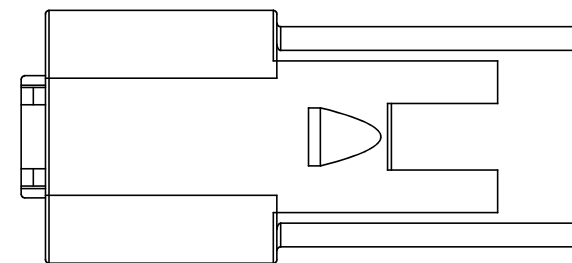
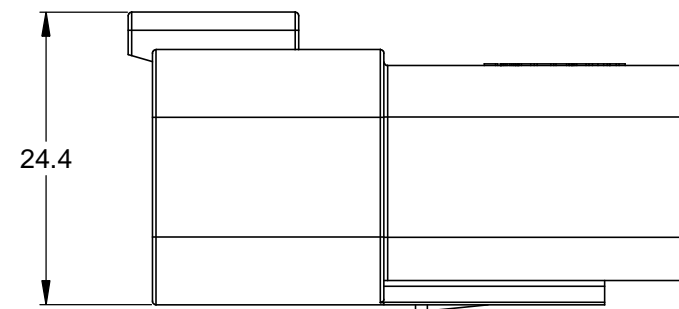
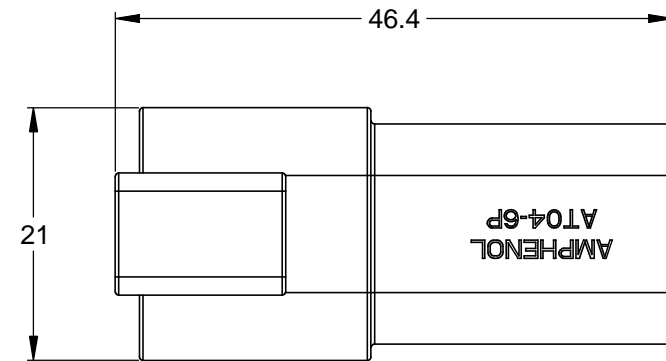
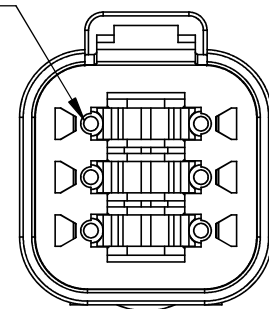


REVISIONS					
REV	ECO	DESCRIPTION	DATE	BY	APPR
A3	-	RELEASE NEW DWG FORMAT	26DEC13	JARRY	-



STANDARD MOLDED COLOR IS GREY.  
ADDITIONAL COLORS SHOWN IN PART NUMBER  
CHART ARE AVAILABLE VIA SPECIAL ORDER.

REQUIRES CONTACT  
RETENTION WEDGE AW6P



NOTES: UNLESS OTHERWISE SPECIFIED

- MATERIAL:  
HOUSING: THERMOPLASTIC  
SEAL: SILICONE RUBBER
- MODIFICATIONS: N/A
- SPECIFICATIONS:
  - CURRENT RATING: 13 AMPS
  - OPERATING TEMPERATURE: -55°C TO +125°C
  - DIELECTRIC WITHSTANDING VOLTAGE: LESS THAN 2 MILLIAMPS CURRENT LEAKAGE @ 1500 VOLTS AC.
  - INSULATION RESISTANCE: 1000 MEGOHMS MIN @ 25°C.
  - MOISTURE RESISTANCE: IP67 ( MATED CONDITION )
  - MATING CYCLE DURABILITY: 100 CYCLES
  - RoHS COMPLIANT
- MATING PART: AT06-6S\* PLUG  
(\* = MODIFICATIONS AND COLORS)
- ALL DIMENSIONS ARE FOR REFERENCE USE ONLY.

6 CONTACT SIZE AND REAR SEAL WIRE RANGE:

CONTACT SIZE	MIN. INSUL O.D.	MAX. INSUL O.D.	TYPICAL WIRE RANGE
16	2.24 mm (.088 in)	3.68 mm (.145 in)	14 - 20 AWG

PART NUMBER CHART	
COLOR	PART NUMBER
GREY	AT04-6P
BLACK	AT04-6P-BLK
BLUE	AT04-6P-BLU
BROWN	AT04-6P-BRN
GREEN	AT04-6P-GRN
RED	AT04-6P-RED
WHITE	AT04-6P-WHT
YELLOW	AT04-6P-YEL

QUANTITY	SEE PART NUMBER CHART	PART NUMBER	DESCRIPTION	ITEM																																																												
<table border="1"> <tr> <td colspan="2">UNLESS OTHERWISE SPECIFIED</td> <td colspan="2">SIGNATURES</td> <td>DATE</td> </tr> <tr> <td colspan="2">1) All dimensions are in metric(mm).</td> <td colspan="2">DRAWN: JARRY</td> <td>26DEC13</td> </tr> <tr> <td colspan="2">2) Tolerances are as follows:</td> <td colspan="2">CHECKED:</td> <td></td> </tr> <tr> <td colspan="2">1 PL DEC ±0.30</td> <td colspan="2">ENGINEER:</td> <td></td> </tr> <tr> <td colspan="2">2 PL DEC ±0.15</td> <td colspan="2">APPROVAL:</td> <td></td> </tr> <tr> <td colspan="2">3 PL DEC ±0.08</td> <td colspan="2">CUSTOMER:</td> <td></td> </tr> <tr> <td colspan="2">3) Note reference = <math>\triangle</math></td> <td colspan="2">THIS DRAWING IS SUPPLIED FOR INFORMATION ONLY. DESIGN FEATURES, SPECIFICATIONS AND PERFORMANCE DATA SHOWN HEREON ARE THE PROPERTY OF THE AMPHENOL CORPORATION. NO RIGHTS OF REPRODUCTION ARE IMPLIED. ALL DIMENSIONS ARE SUBJECT TO NORMAL MANUFACTURING VARIATIONS.</td> <td></td> </tr> <tr> <td colspan="2">MATERIAL SPECIFICATIONS:</td> <td colspan="2">SIZE</td> <td>REVISION</td> </tr> <tr> <td colspan="2">PROCESS SPECIFICATIONS:</td> <td colspan="2">TYPE</td> <td></td> </tr> <tr> <td colspan="2">NEXT ASSY:</td> <td colspan="2">DWG NO:</td> <td></td> </tr> <tr> <td colspan="2"></td> <td colspan="2">SCALE: NONE</td> <td></td> </tr> <tr> <td colspan="2"></td> <td colspan="2">SHEET 1 OF 1</td> <td></td> </tr> </table>					UNLESS OTHERWISE SPECIFIED		SIGNATURES		DATE	1) All dimensions are in metric(mm).		DRAWN: JARRY		26DEC13	2) Tolerances are as follows:		CHECKED:			1 PL DEC ±0.30		ENGINEER:			2 PL DEC ±0.15		APPROVAL:			3 PL DEC ±0.08		CUSTOMER:			3) Note reference = $\triangle$		THIS DRAWING IS SUPPLIED FOR INFORMATION ONLY. DESIGN FEATURES, SPECIFICATIONS AND PERFORMANCE DATA SHOWN HEREON ARE THE PROPERTY OF THE AMPHENOL CORPORATION. NO RIGHTS OF REPRODUCTION ARE IMPLIED. ALL DIMENSIONS ARE SUBJECT TO NORMAL MANUFACTURING VARIATIONS.			MATERIAL SPECIFICATIONS:		SIZE		REVISION	PROCESS SPECIFICATIONS:		TYPE			NEXT ASSY:		DWG NO:					SCALE: NONE					SHEET 1 OF 1		
UNLESS OTHERWISE SPECIFIED		SIGNATURES		DATE																																																												
1) All dimensions are in metric(mm).		DRAWN: JARRY		26DEC13																																																												
2) Tolerances are as follows:		CHECKED:																																																														
1 PL DEC ±0.30		ENGINEER:																																																														
2 PL DEC ±0.15		APPROVAL:																																																														
3 PL DEC ±0.08		CUSTOMER:																																																														
3) Note reference = $\triangle$		THIS DRAWING IS SUPPLIED FOR INFORMATION ONLY. DESIGN FEATURES, SPECIFICATIONS AND PERFORMANCE DATA SHOWN HEREON ARE THE PROPERTY OF THE AMPHENOL CORPORATION. NO RIGHTS OF REPRODUCTION ARE IMPLIED. ALL DIMENSIONS ARE SUBJECT TO NORMAL MANUFACTURING VARIATIONS.																																																														
MATERIAL SPECIFICATIONS:		SIZE		REVISION																																																												
PROCESS SPECIFICATIONS:		TYPE																																																														
NEXT ASSY:		DWG NO:																																																														
		SCALE: NONE																																																														
		SHEET 1 OF 1																																																														
<h1>Amphenol</h1> <p>Sine Systems - www.amphenol-sine.com 44724 Morley Drive Clinton Township, MI 48036</p> <p>RECEPTACLE, 6 PIN, AT SERIES</p> <p>SIZE: <b>B C-</b> DWG NO: <b>AT04-6P-XXX</b> REVISION: <b>A3</b></p>																																																																

TITLE: RECEPTACLE, 6 PIN, AT SERIES  
DWG NO: AT04-6P-XXX  
REV: A3  
SH: 1  
OF: 1