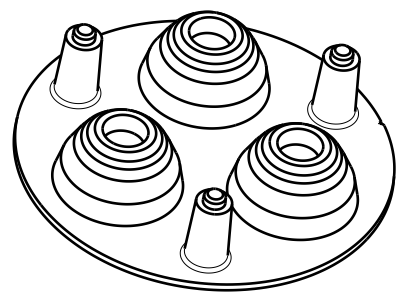
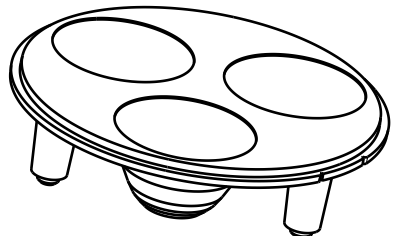


D

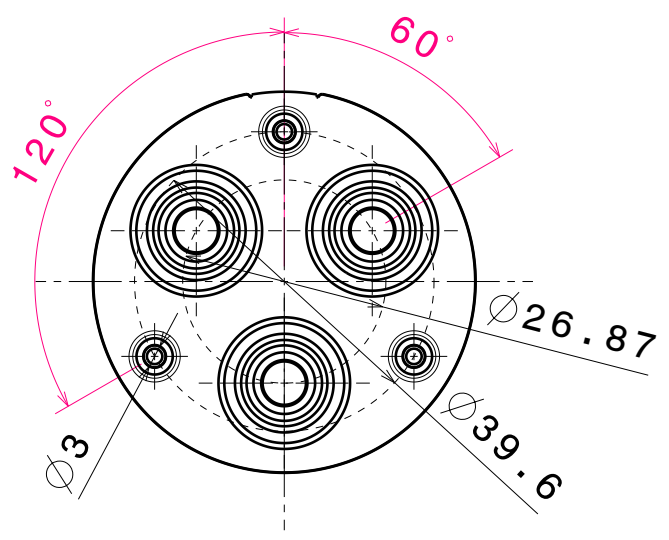
C

B

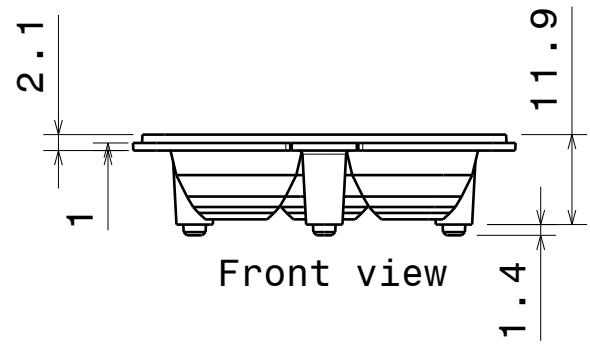
A



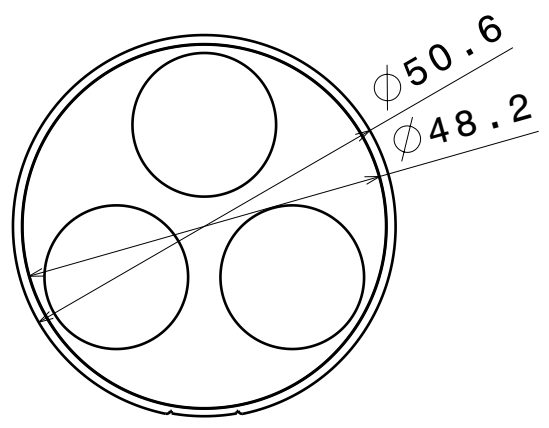
Isometric view



Bottom view



Front view



Top view

Material: PMMA

Tolerances for dimensions:
 0-20mm tolerance value $\pm 0.1\text{mm}$
 21-45mm tolerance value $\pm 0.2\text{mm}$
 46-90mm tolerance value $\pm 0.3\text{mm}$
 91-100mm tolerance value $\pm 0.4\text{mm}$
 101-150mm tolerance value $\pm 0.5\text{mm}$

This drawing is our property.
 It can't be reproduced
 or communicated without
 our written agreement.



Ledil Oy
 Salorankatu 10
 FIN 24240 SALO
 Finland

DRAWING TITLE
 Datasheet C13095_MELODY-3-M

DRAWN BY mav	DATE 21.08.2012
CHECKED BY pv	DATE 21.08.2012
DESIGNED BY mav	DATE 15.08.2012

SIZE A4	DRAWING NUMBER C13095	REV 1
SCALE 1:1	WEIGHT (g)	SHEET 1/1

D

A

4

4

3

3

2

2

1

1