

DESCRIPTION: POWER / SIGNAL - VERTICAL BOARD - FEMALE

SPECIFICATIONS:

ELECTRICAL:

INSULATOR RESISTANCE: 5 GOHMS Min.
 DIELECTRIC WITHSTANDING: 1,000 VAC for 1 MINUTE
 OPERATING TEMPERATURE: -55° C ~ +155° C
 CONTACT RESISTANCE: 1.0 mOHMS Max.
 POWER PINS: SEE PART No. BELOW
 SIGNAL PINS: 5 AMPS

MECHANICAL:

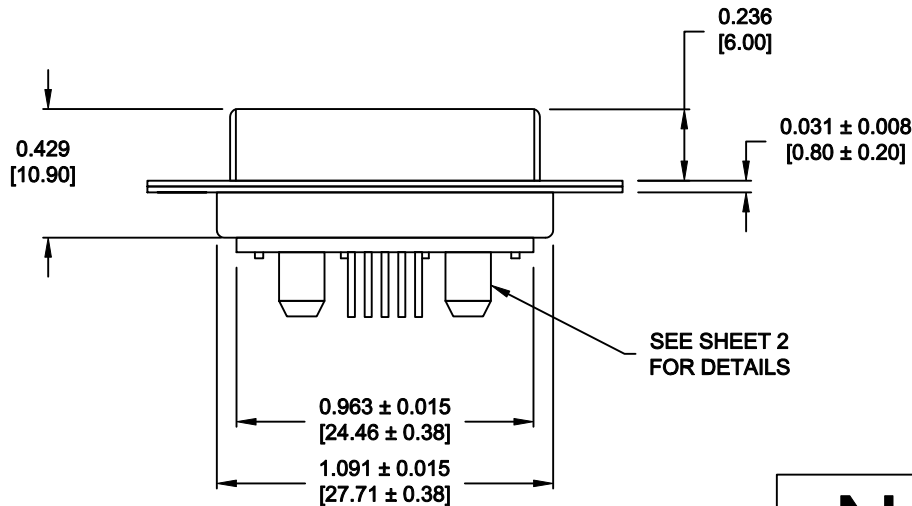
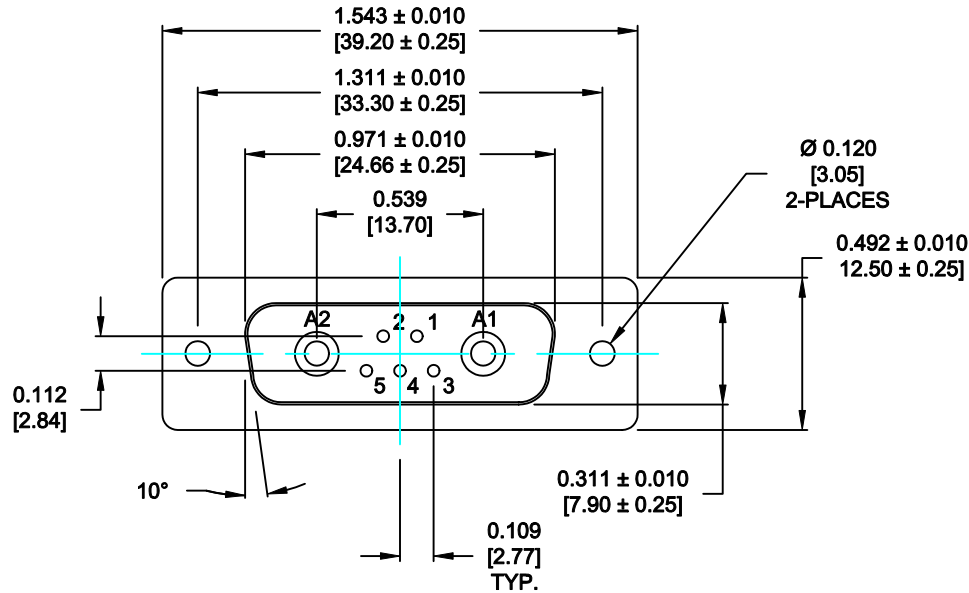
CONTACT INSERTION FORCE: 4.5 Kg Max.
 CONTACT SEPARATOR FORCE: 0.3Kg Min.

MATERIALS:

CONTACTS: COPPER ALLOY
 INSULATOR: PBT UL94V-0 RATED, BLACK
 230°C PROCESS TEMP.
 SHELL: STEEL
 SEAL: F04 FLEXIBLE ADHESIVE

FINISH:

SHELL: NICKEL
 CONTACTS: FULL GOLD FLASH




681S7W2203L001

00 = 40 AMPS

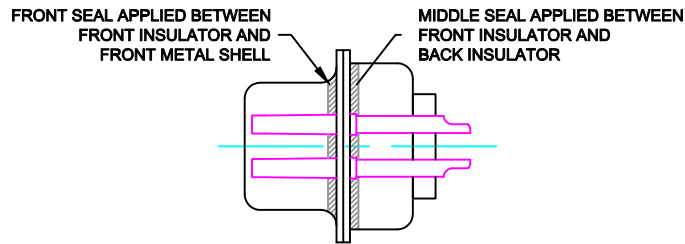
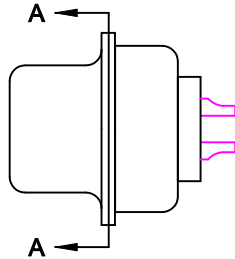
MEETS IP67 STANDARDS

(SEE PAGE 2 FOR SEALING DETAILS)

RoHS COMPLIANT

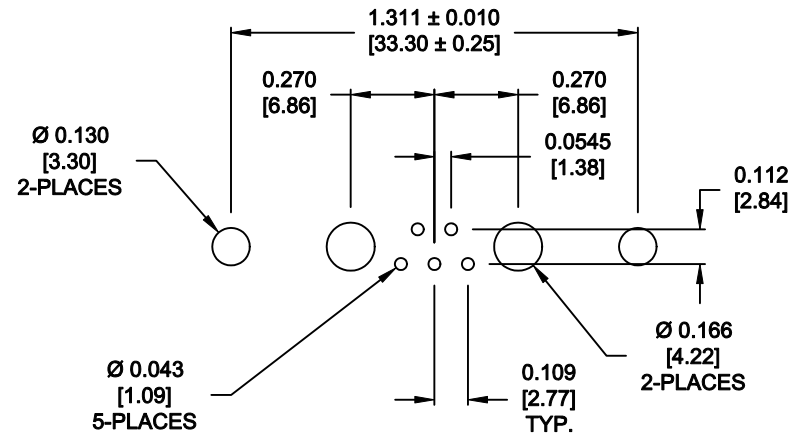
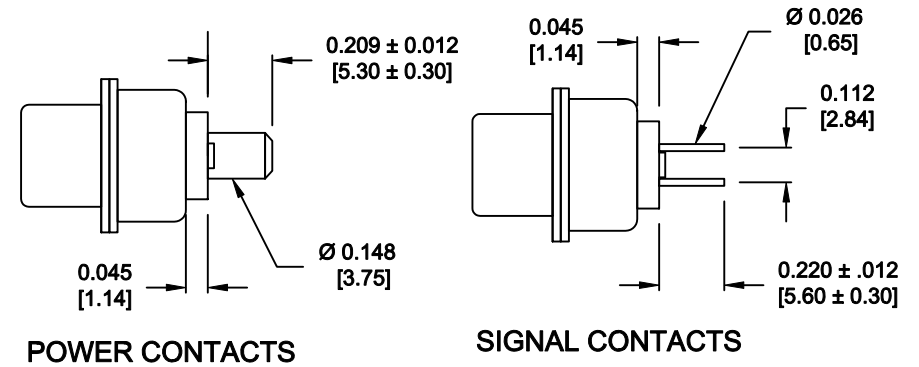
	THESE DRAWINGS AND SPECIFICATIONS ARE THE PROPERTY OF NorComp AND SHALL NOT BE REPRODUCED, COPIED OR USED AS THE BASIS FOR THE MANUFACTURE OF SALE OF APPARATUS WITHOUT WRITTEN PERMISSION.		DRAWN: P. JENKINS	DATE: 7-19-11
			CHECKED: X	DATE: X
<h1>NorComp</h1>		SCALE: N.T.S.	SHEET 1 OF 2	REV 0
		DWG NO. 681S7W2203L001		

DESCRIPTION: 681 SERIES CONTACTS



DETAIL A-A
SHOWN FOR REFERENCE ONLY

NOTE: SIGNAL AND POWER CONTACTS
COME PRE-LOADED INTO INSULATORS



RECOMMENDED PCB LAYOUT
(TOLERANCE ± 0.002 [0.05])

RoHS COMPLIANT



THESE DRAWINGS AND SPECIFICATIONS ARE THE PROPERTY OF NorComp AND SHALL NOT BE REPRODUCED, COPIED OR USED AS THE BASIS FOR THE MANUFACTURE OF SALE OF APPARATUS WITHOUT WRITTEN PERMISSION.

DRAWN: P. JENKINS		DATE: 7-19-11	
CHECKED: X		DATE: X	
SCALE: N.T.S.	SHEET 2	OF 2	REV 0
DWG NO. 681S7W2203L001			

NorComp