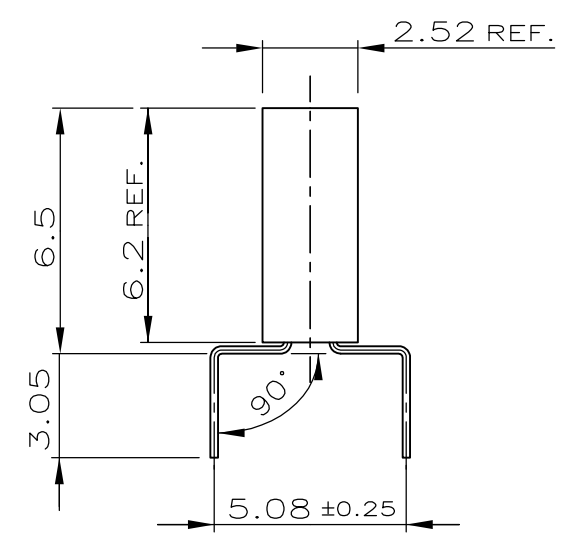
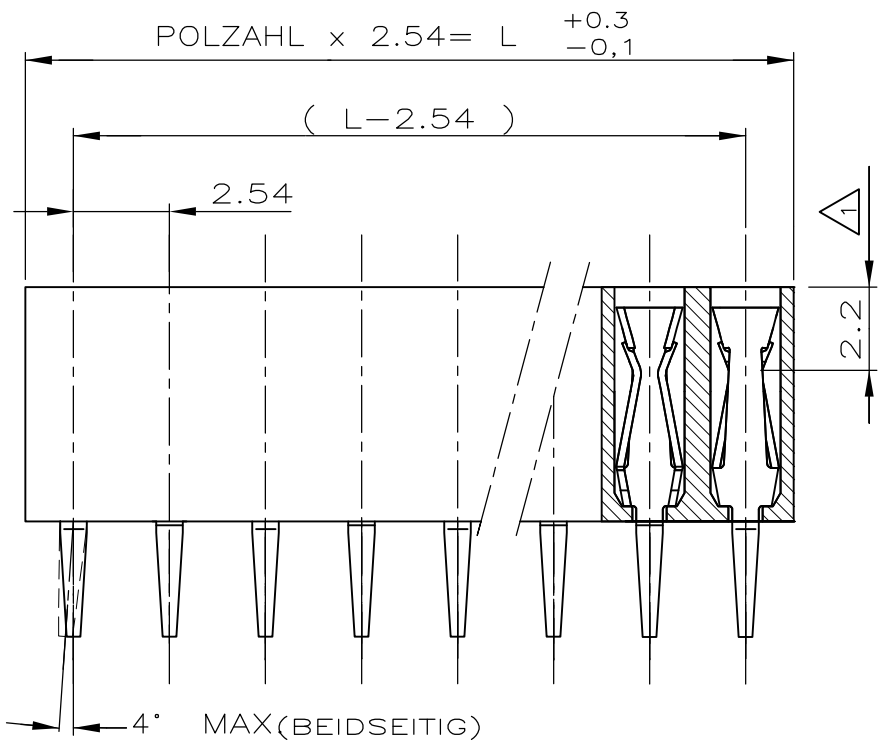
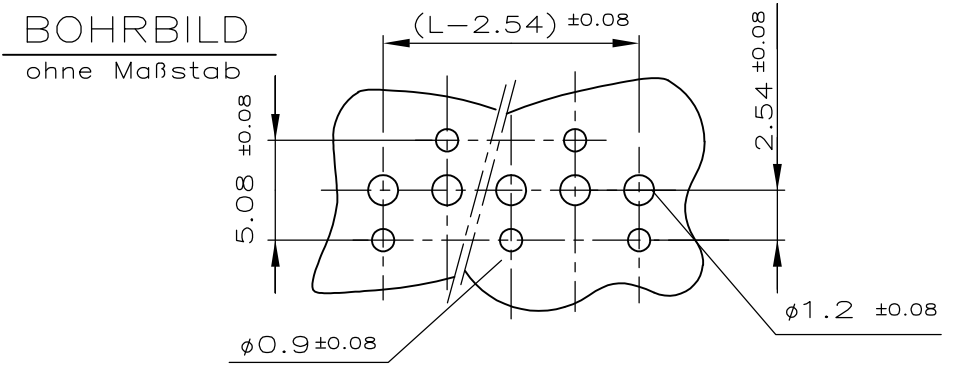
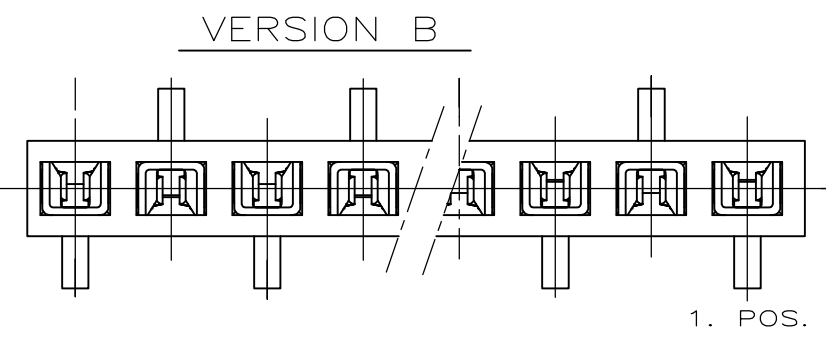
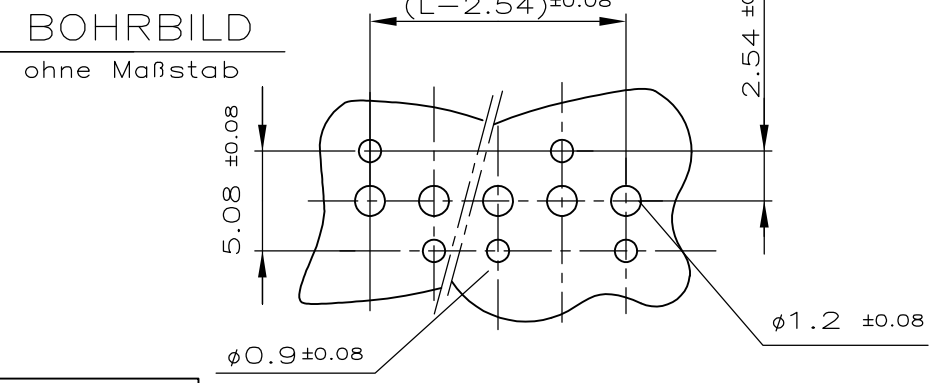
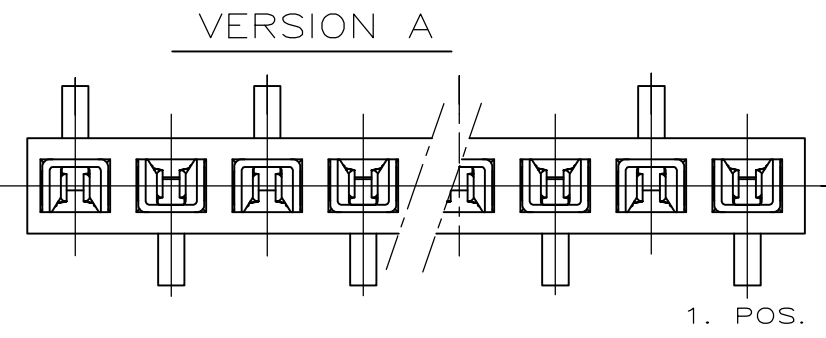


THIS DRAWING IS UNPUBLISHED. RELEASED FOR PUBLICATION
 © COPYRIGHT - By - ALL RIGHTS RESERVED.

LOC	DIST	REVISIONS			
P	LTR	DESCRIPTION	DATE	DWN	APVD
AI	-	VERWENDET FÜR E-90-52 538			
C		TOLERANZ +/-0.25 BEI MASS 5.08 HINZU	30-JAN-02	Mahnke	ZITZ
C1		REVISED PER ECO-09-024717	06NOV09	-	AEG
C2		ECR-10-026307	13JAN11	KK	HMR



VERS.	Polz.	L +0.3 -0.1	BESTELL-NR.
-	-	-	-
△ A	2	5.08	829 575 -2
B	3	7.62	-3
△ A	4	10.16	-4
B	5	12.70	-5
△ A	6	15.24	-6
B	7	17.78	-7
△ A	8	20.32	-8
B	9	22.86	-9
△ A	10	25.40	1-0
B	11	27.94	1-1
A	12	30.48	1-2
B	13	33.02	1-3
△ A	14	35.56	1-4
B	15	38.10	1-5
△ A	16	40.64	1-6
B	17	43.18	1-7
△ A	18	45.72	1-8
B	19	48.26	1-9
△ A	20	50.80	2-0
B	21	53.34	2-1
△ A	22	55.88	2-2
B	23	58.42	2-3
△ A	24	60.96	2-4
B	25	63.50	2-5
A	26	66.04	2-6
B	27	68.58	2-7
△ A	28	71.12	2-8
B	29	73.66	2-9
△ A	30	76.20	3-0
B	31	78.74	3-1
A	32	81.28	3-2
B	33	83.82	3-3
△ A	34	86.36	3-4
B	35	88.90	3-5
△ A	36	91.44	3-829 575 -6



- △ 1 KONTAKTPUNKT
- △ 2 MIN. 2.5µm ZINN
- 3. EMPFOHLENE LEITERPLATTENDICKE 1.6 mm
- 4. STECKBAR MIT MODU II STIFTEN φ0.63 ODER □ 0.63
- 5. HV100 BUCHSENSTECKER VERPACKT IN ANTISTATISCHEM BLISTER
- △ 6 OBSOLETE PARTS: OBSOLETE CIS STREAMLINING PER D.RENAUD/D.SINISI
- △ 7 OBSOLETE

HV 100 KONTAKT	CuSn	△ 2
HV 100 GEHÄUSE	PBTP GV	GRÜN
BENENNUNG EINZELTEIL	WERKSTOFF	OBERFLÄCHE FARBE

ZEICHNUNG GÜLTIG AB KW 06./96

THIS DRAWING IS A CONTROLLED DOCUMENT.		DWN A.HO 03.04.90	TE Connectivity	
DIMENSIONS: mm		CHK M.SCHAARSCHMIDT		
TOLERANCES UNLESS OTHERWISE SPECIFIED: ±0.2mm		APVD -	PRODUCT SPEC -	HV 100 BUCHSENSTECKER EINREIHIG, 6.2mm HOCH, ZINN
0 PLC ± - 1 PLC ± - 2 PLC ± - 3 PLC ± - 4 PLC ± - ANGLES ± 3'		APPLICATION SPEC -	SIZE	
MATERIAL -	FINISH -	WEIGHT -	CAGE CODE A300779	DRAWING NO C-829575
CUSTOMER DRAWING			RESTRICTED TO -	SCALE 5:1
			SHEET 1 OF 1	REV C2