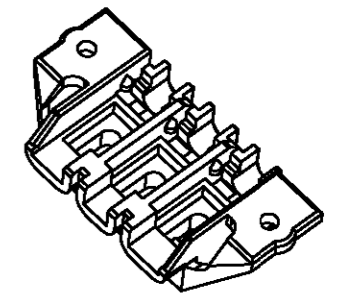
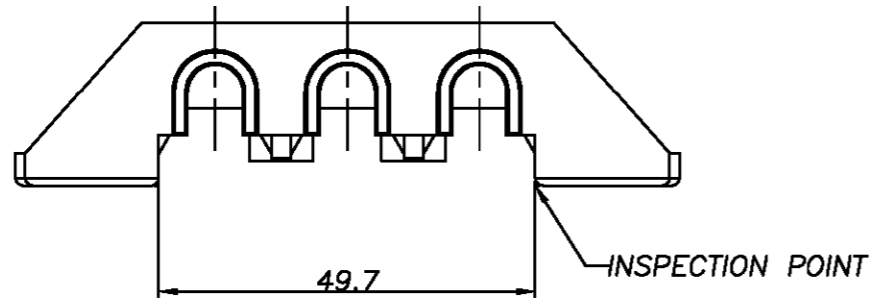
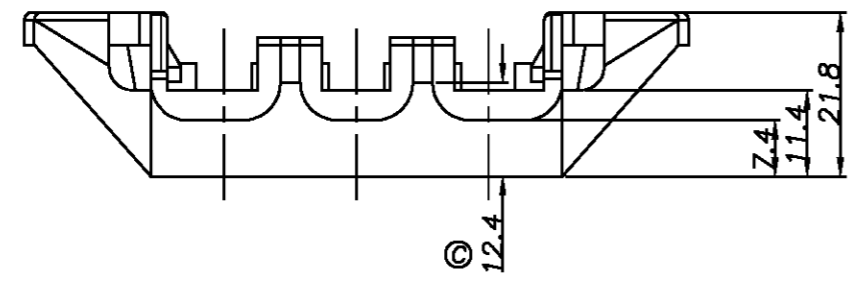
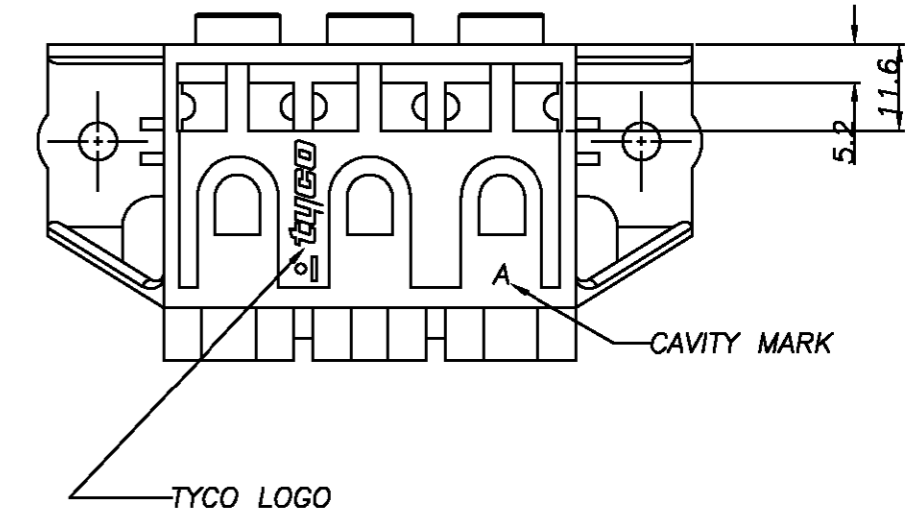
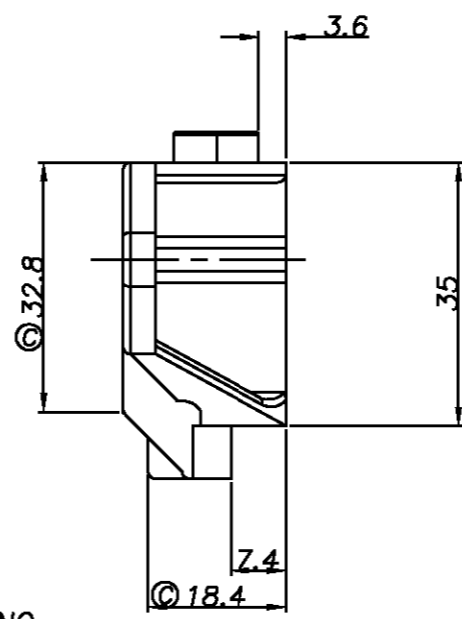
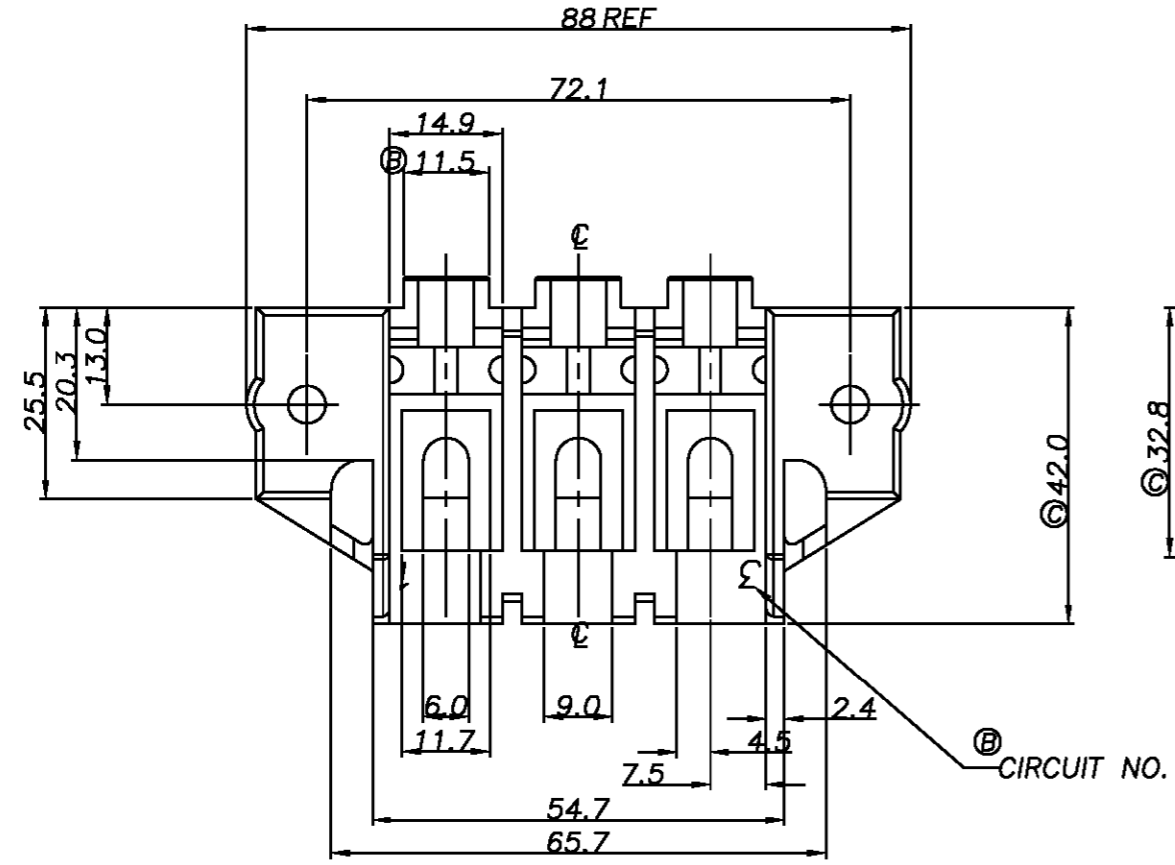


LOC	DIST	REVISIONS					
		P	LTR	DESCRIPTION	DATE	JWN	APVD
DS			C	REVISED PER FC00-0313-04	DEC.03'04	BH	CS



NOTES

- 1.MATERIAL: PHENOLIC
- 2.GENERAL TOLERANCES: $\pm 0.3, \pm 3'$
- 3.CAVITY MARK SHALL BE LOCATED APPROX. AS SHOWN.
- 4.APPLICABLE CONTACT P/N : 521665-2



PHENOLIC	BLACK	1743067-1
MATERIAL	COLOR	P/N

<small>THIS DRAWING IS A CONTROLLED DOCUMENT FOR TYCO ELECTRONICS CORPORATION. IT IS SUBJECT TO CHANGE AND THE CONTROLLING ENGINEERING ORGANIZATION SHOULD BE CONTACTED FOR THE LATEST REVISION.</small>		DVN :BH CHO CHK:BW KANG APVD :CS LEE PRODUCT SPEC APPLICATION SPEC WEIGHT		tyco Electronics AMP KOREA. kyungsan, korea	
DIMENSIONS: MM TOLERANCES UNLESS OTHERWISE SPECIFIED ANGLES FINISH SEE NOTE		NAME Terminal Block for Dryer		SIZE A3	
		CAGE CODE 00779		DRAWING NO 1743067	
		RESTRICTED TO		SCALE 1/1 SHEET 1 OF 1 REV C	