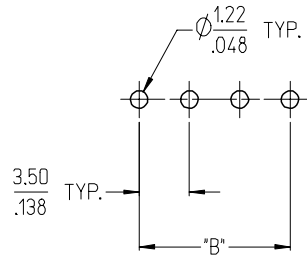


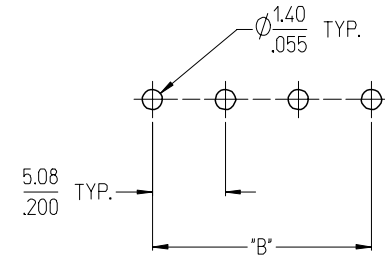
3950X SERIES
3.50mm HEADERS



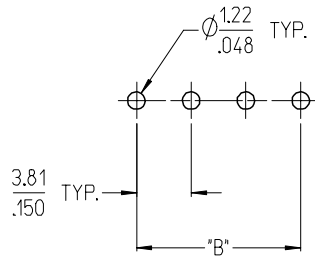
3952X & 3954X SERIES
5.00mm HEADERS
5.00mm 10 AMP FIXED



3953X SERIES
5.08mm HEADERS



3951X SERIES
3.81mm HEADERS



3954X SERIES
5.00mm 15 AMP FIXED



3954X SERIES
5.08mm 15 AMP FIXED



NOTES:

- REFER TO INDIVIDUAL PRODUCT SALES DRAWINGS FOR "B" DIMENSION.
- DOES NOT APPLY TO DUAL LEVEL HEADERS, SERIES 39528 AND 39538.
- TYP. = TYPICAL.

INITIAL RELEASE
EC NO: ETC2007-0096
DRWN: CLYORK 2006/10/02
CHKD: JMACNEIL 2006/10/04
APPR: JMACNEIL 2006/10/04

QUALITY SYMBOLS
 = 0
 = 0.05
 DESCRIPTION
 REV

| GENERAL TOLERANCES (UNLESS SPECIFIED) | |
|------------------------------------------------------|--------------|
| | MM/INCH |
| 4 PLACES | ± --- ± --- |
| 3 PLACES | ± --- ± .005 |
| 2 PLACES | ± 0.13 ± .01 |
| 1 PLACE | ± 0.3 ± --- |
| ANGULAR ± 2 ° | |
| DRAFT WHERE APPLICABLE MUST REMAIN WITHIN DIMENSIONS | |

| DIMENSION STYLE | |
|-----------------|------------|
| MM/IN | |
| DRAWN BY | DATE |
| C. YORK | 2006/08/25 |
| CHECKED BY | DATE |
| J. MACNEIL | 2006/08/25 |
| APPROVED BY | DATE |
| J. MACNEIL | 2006/08/25 |
| MATERIAL NO. | |
| -- | |

| SCALE | DESIGN UNITS | THIRD ANGLE PROJECTION |
|-------------------------------------------------------------------------------------------------------------------------------|--------------|------------------------|
| 3:1 | INCH | |
| TITLE | | |
| RECOMMENDED PCB LAYOUT FOR ESE TERMINAL BLOCKS | | |
| MOLEX INCORPORATED | | |
| DOCUMENT NO. | SHEET NO. | |
| SD-39501-002 | 1 OF 1 | |
| THIS DRAWING CONTAINS INFORMATION THAT IS PROPRIETARY TO MOLEX INCORPORATED AND SHOULD NOT BE USED WITHOUT WRITTEN PERMISSION | | |

10 9 8 7 6 5 4 3 2 1

F

E

D

C

B

A

F

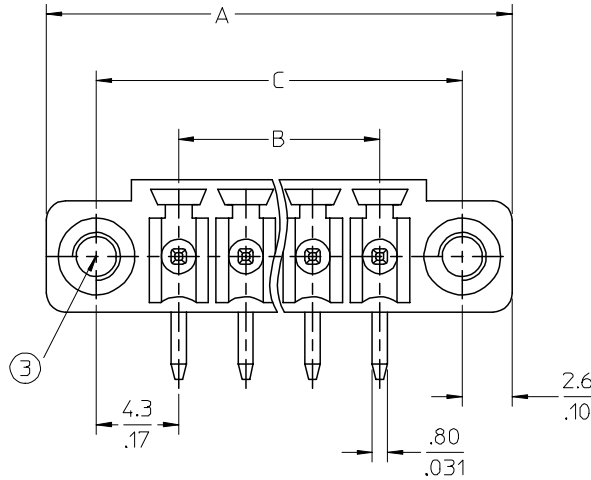
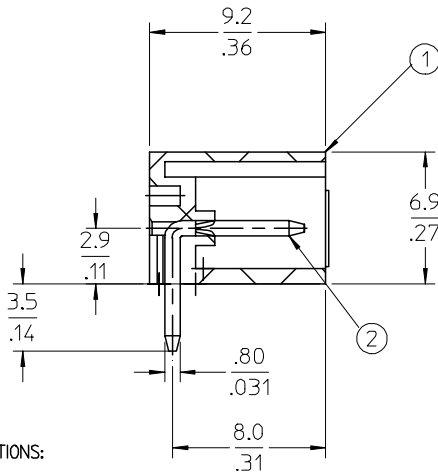
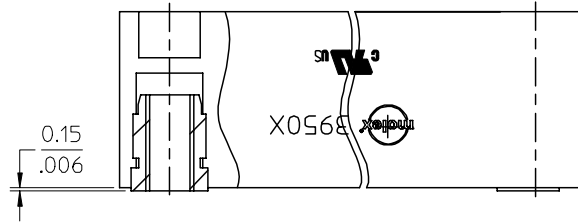
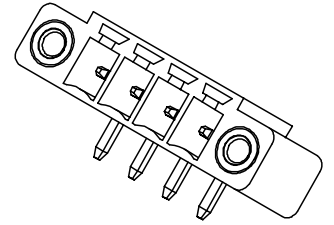
E

D

C

B

A



SPECIFICATIONS:

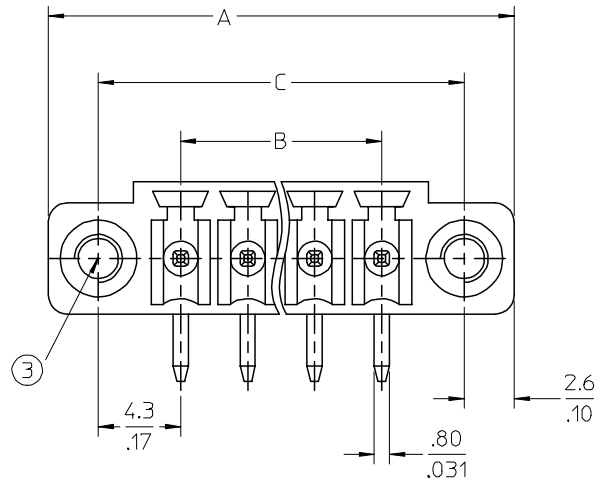
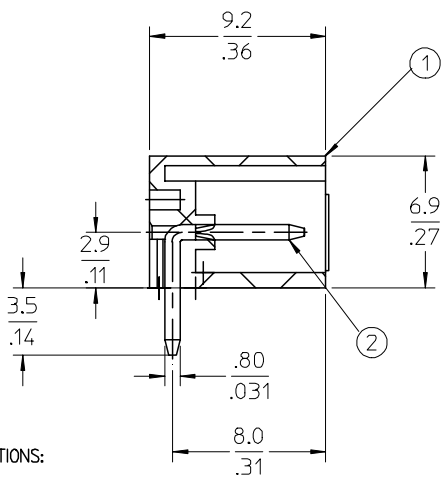
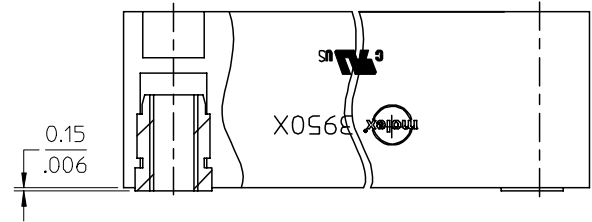
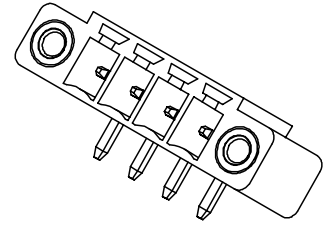
- 1. Material:
 - (1). Body: PA66
 - (2). Terminal: Brass
 - (3). Threaded Insert: Brass
- 2. Wire range: N/A
- 3. Electrical rating: 300V, 8A.
- 4. Max Torque: N/A.
- 5. Wire strip length: N/A.
- 6. Operating temperature: -40C to +105C.
- 7. $A = (N \times P) + 10.3MM$
- 8. $B = (N - 1) \times P$
- 9. $C = (B + 8.6MM)$
- 10. P (PITCH) = 3.5MM (.138").
- 11. N = Number of positions available 2 through 20.

| ENTER DESCRIPTION EC NO: NEO2006-0310 DRWNL: LROTHAUS 2006/01/09 CHKD: CYORK 2006/01/09 APPR: JPAMLICK 2006/01/10 DESCRIPTION | QUALITY SYMBOLS | GENERAL TOLERANCES (UNLESS SPECIFIED) | DIMENSION STYLE | SCALE | DESIGN UNITS | THIRD ANGLE PROJECTION | | | | | | | | | | | | | | | |
|----------------------------------------------------------------------------------------------------------------------------------------------|------------------------------------------------------------|---------------------------------------------------------------------------------------------------------------------------------------------------------------------------------------------------------------------------------------------------------------------------------------------------------------------------------------------------------|--------------------------------------------------------------|-------------------------------------------|--------------|------------------------|-------|--------|----------|--------|-------|----------|-------|------|---------|------|-------|-------|-----|------|--|
| | $\nabla=0$ $\nabla=0$ | <table border="1"> <thead> <tr> <th></th> <th>mm</th> <th>INCH</th> </tr> </thead> <tbody> <tr> <td>4 PLACES</td> <td>± ---</td> <td>±.0015</td> </tr> <tr> <td>3 PLACES</td> <td>±0.038</td> <td>±.005</td> </tr> <tr> <td>2 PLACES</td> <td>±0.13</td> <td>±.01</td> </tr> <tr> <td>1 PLACE</td> <td>±0.3</td> <td>± ---</td> </tr> </tbody> </table> | | mm | INCH | 4 PLACES | ± --- | ±.0015 | 3 PLACES | ±0.038 | ±.005 | 2 PLACES | ±0.13 | ±.01 | 1 PLACE | ±0.3 | ± --- | MM/IN | 4:1 | INCH | |
| | | mm | INCH | | | | | | | | | | | | | | | | | | |
| | 4 PLACES | ± --- | ±.0015 | | | | | | | | | | | | | | | | | | |
| 3 PLACES | ±0.038 | ±.005 | | | | | | | | | | | | | | | | | | | |
| 2 PLACES | ±0.13 | ±.01 | | | | | | | | | | | | | | | | | | | |
| 1 PLACE | ±0.3 | ± --- | | | | | | | | | | | | | | | | | | | |
| | ANGULAR ± 2 ° | DRAWN BY: LROTHAUS DATE: 12/6/05 CHECKED BY: C. YORK DATE: 01/06/06 APPROVED BY: _____ DATE: _____ | TITLE 3.5MM, EURO HEADER RIGHT ANGLE, MOUNTING ENDS | | | | | | | | | | | | | | | | | | |
| | DRAFT WHERE APPLICABLE MUST REMAIN WITHIN DIMENSIONS | MATERIAL NO. SEE CHART | DOCUMENT NO. SD-39506-001 | MOLEX INCORPORATED SHEET NO. 1 OF 1 | | | | | | | | | | | | | | | | | |

9 8 7 6 5 4 3 2 1

10 9 8 7 6 5 4 3 2 1

F
E
D
C
B
A



SPECIFICATIONS:

1. Material:
 - (1). Body: PA66
 - (2). Terminal: Brass
 - (3). Threaded Insert: Brass
2. Wire range: N/A
3. Electrical rating: 300V, 8A.
4. Max Torque: N/A.
5. Wire strip length: N/A.
6. Operating temperature: -40C to +105C.
7. $A = (N \times P) + 10.3MM$
8. $B = (N - 1) \times P$
9. $C = (B + 8.6MM)$
10. P (PITCH) = 3.5MM (.138").
11. N = Number of positions available 2 through 20.

ENTER DESCRIPTION
 EC NO: NEO2006-0310
 DRWNL: LROTHAUS 2006/01/09
 CHKD: CYORK 2006/01/09
 APPR: JPAWLICK 2006/01/10

QUALITY SYMBOLS

| GENERAL TOLERANCES (UNLESS SPECIFIED) | |
|---------------------------------------|--------------|
| | mm INCH |
| 4 PLACES | ± --- ±.0015 |
| 3 PLACES | ±0.038 ±.005 |
| 2 PLACES | ±0.13 ±.01 |
| 1 PLACE | ±0.3 ±--- |
| ANGULAR ± 2 ° | |

| DIMENSION STYLE | |
|-----------------|----------|
| MM/IN | |
| DRAWN BY | DATE |
| LROTHAUS | 12/6/05 |
| CHECKED BY | DATE |
| C. YORK | 01/06/06 |
| APPROVED BY | DATE |

| SCALE | DESIGN UNITS | THIRD ANGLE PROJECTION |
|-------------------------------------------------------------------------------------------------------------------------------|--------------|------------------------|
| 4:1 | INCH | |
| TITLE | | |
| 3.5MM, EURO HEADER RIGHT ANGLE, MOUNTING ENDS | | |
| MATERIAL NO. SEE CHART | | |
| DOCUMENT NO. SD-39506-001 | | SHEET NO. 1 OF 1 |
| MATERIAL NO. SEE CHART | | |
| THIS DRAWING CONTAINS INFORMATION THAT IS PROPRIETARY TO MOLEX INCORPORATED AND SHOULD NOT BE USED WITHOUT WRITTEN PERMISSION | | |

9 8 7 6 5 4 3 2 1

| Description | Circuit size | Material Numbers | | | | | | | | | | | Dimensional Information | | | | | | | | |
|------------------------------------------------|--------------|------------------|-----------|-----------|------------|-----------|-----------|-----------|-----------|-----------|------------|-----------|-------------------------|--------|-------|--------|-------|--------|-------|--------|------|
| | | Black | | | 30 u" Gold | | | Green | | | 100% Tin | | | Dim. A | | Dim B | | Dim. C | | | |
| | | 100% Tin | | | 30 u" Gold | | | 100% Tin | | | 30 u" Gold | | | mm | inch | mm | inch | mm | inch | | |
| Printing Options | None | 10A | 11A | None | 10A | 11A | None | 10A | 11A | None | 10A | 11A | None | 10A | 11A | Dim. A | | Dim B | | Dim. C | |
| | | | | | | | | | | | | | | | | mm | inch | mm | inch | mm | inch |
| 3.5mm, Euro Header, Right Angle, Mounting Ends | 2 | 395061002 | 395061102 | 395061202 | 395061502 | 395061602 | 395061702 | 395066002 | 395066102 | 395066202 | 395066502 | 395066602 | 395066702 | 17.30 | 0.681 | 3.50 | 0.138 | 12.10 | 0.476 | | |
| 3.5mm, Euro Header, Right Angle, Mounting Ends | 3 | 395061003 | 395061103 | 395061203 | 395061503 | 395061603 | 395061703 | 395066003 | 395066103 | 395066203 | 395066503 | 395066603 | 395066703 | 20.80 | 0.819 | 7.00 | 0.276 | 15.60 | 0.614 | | |
| 3.5mm, Euro Header, Right Angle, Mounting Ends | 4 | 395061004 | 395061104 | 395061204 | 395061504 | 395061604 | 395061704 | 395066004 | 395066104 | 395066204 | 395066504 | 395066604 | 395066704 | 24.30 | 0.957 | 10.50 | 0.413 | 19.10 | 0.752 | | |
| 3.5mm, Euro Header, Right Angle, Mounting Ends | 5 | 395061005 | 395061105 | 395061205 | 395061505 | 395061605 | 395061705 | 395066005 | 395066105 | 395066205 | 395066505 | 395066605 | 395066705 | 27.80 | 1.094 | 14.00 | 0.551 | 22.60 | 0.890 | | |
| 3.5mm, Euro Header, Right Angle, Mounting Ends | 6 | 395061006 | 395061106 | 395061206 | 395061506 | 395061606 | 395061706 | 395066006 | 395066106 | 395066206 | 395066506 | 395066606 | 395066706 | 31.30 | 1.232 | 17.50 | 0.689 | 26.10 | 1.028 | | |
| 3.5mm, Euro Header, Right Angle, Mounting Ends | 7 | 395061007 | 395061107 | 395061207 | 395061507 | 395061607 | 395061707 | 395066007 | 395066107 | 395066207 | 395066507 | 395066607 | 395066707 | 34.80 | 1.370 | 21.00 | 0.827 | 29.60 | 1.165 | | |
| 3.5mm, Euro Header, Right Angle, Mounting Ends | 8 | 395061008 | 395061108 | 395061208 | 395061508 | 395061608 | 395061708 | 395066008 | 395066108 | 395066208 | 395066508 | 395066608 | 395066708 | 38.30 | 1.508 | 24.50 | 0.965 | 33.10 | 1.303 | | |
| 3.5mm, Euro Header, Right Angle, Mounting Ends | 9 | 395061009 | 395061109 | 395061209 | 395061509 | 395061609 | 395061709 | 395066009 | 395066109 | 395066209 | 395066509 | 395066609 | 395066709 | 41.80 | 1.646 | 28.00 | 1.102 | 36.60 | 1.441 | | |
| 3.5mm, Euro Header, Right Angle, Mounting Ends | 10 | 395061010 | 395061110 | 395061210 | 395061510 | 395061610 | 395061710 | 395066010 | 395066110 | 395066210 | 395066510 | 395066610 | 395066710 | 45.30 | 1.783 | 31.50 | 1.240 | 40.10 | 1.579 | | |
| 3.5mm, Euro Header, Right Angle, Mounting Ends | 11 | 395061011 | 395061111 | 395061211 | 395061511 | 395061611 | 395061711 | 395066011 | 395066111 | 395066211 | 395066511 | 395066611 | 395066711 | 48.80 | 1.921 | 35.00 | 1.378 | 43.60 | 1.717 | | |
| 3.5mm, Euro Header, Right Angle, Mounting Ends | 12 | 395061012 | 395061112 | 395061212 | 395061512 | 395061612 | 395061712 | 395066012 | 395066112 | 395066212 | 395066512 | 395066612 | 395066712 | 52.30 | 2.059 | 38.50 | 1.516 | 47.10 | 1.854 | | |
| 3.5mm, Euro Header, Right Angle, Mounting Ends | 13 | 395061013 | 395061113 | 395061213 | 395061513 | 395061613 | 395061713 | 395066013 | 395066113 | 395066213 | 395066513 | 395066613 | 395066713 | 55.80 | 2.197 | 42.00 | 1.654 | 50.60 | 1.992 | | |
| 3.5mm, Euro Header, Right Angle, Mounting Ends | 14 | 395061014 | 395061114 | 395061214 | 395061514 | 395061614 | 395061714 | 395066014 | 395066114 | 395066214 | 395066514 | 395066614 | 395066714 | 59.30 | 2.335 | 45.50 | 1.791 | 54.10 | 2.130 | | |
| 3.5mm, Euro Header, Right Angle, Mounting Ends | 15 | 395061015 | 395061115 | 395061215 | 395061515 | 395061615 | 395061715 | 395066015 | 395066115 | 395066215 | 395066515 | 395066615 | 395066715 | 62.80 | 2.472 | 49.00 | 1.929 | 57.60 | 2.268 | | |
| 3.5mm, Euro Header, Right Angle, Mounting Ends | 16 | 395061016 | 395061116 | 395061216 | 395061516 | 395061616 | 395061716 | 395066016 | 395066116 | 395066216 | 395066516 | 395066616 | 395066716 | 66.30 | 2.610 | 52.50 | 2.067 | 61.10 | 2.406 | | |
| 3.5mm, Euro Header, Right Angle, Mounting Ends | 17 | 395061017 | 395061117 | 395061217 | 395061517 | 395061617 | 395061717 | 395066017 | 395066117 | 395066217 | 395066517 | 395066617 | 395066717 | 69.80 | 2.748 | 56.00 | 2.205 | 64.60 | 2.543 | | |
| 3.5mm, Euro Header, Right Angle, Mounting Ends | 18 | 395061018 | 395061118 | 395061218 | 395061518 | 395061618 | 395061718 | 395066018 | 395066118 | 395066218 | 395066518 | 395066618 | 395066718 | 73.30 | 2.886 | 59.50 | 2.343 | 68.10 | 2.681 | | |
| 3.5mm, Euro Header, Right Angle, Mounting Ends | 19 | 395061019 | 395061119 | 395061219 | 395061519 | 395061619 | 395061719 | 395066019 | 395066119 | 395066219 | 395066519 | 395066619 | 395066719 | 76.80 | 3.024 | 63.00 | 2.480 | 71.60 | 2.819 | | |
| 3.5mm, Euro Header, Right Angle, Mounting Ends | 20 | 395061020 | 395061120 | 395061220 | 395061520 | 395061620 | 395061720 | 395066020 | 395066120 | 395066220 | 395066520 | 395066620 | 395066720 | 80.30 | 3.161 | 66.50 | 2.618 | 75.10 | 2.957 | | |

| | | | | | | | | | |
|------------------------------------------------------------------------------------------------------------------------|-------------------------------|-------------------------------------------------------------------------------------------------------------------------------|------------------|-----------------|-------------------|-------|-----------------------------------------------------|------------------------|------|
| SEE SHEET 1 EC NO: NEC2006-0310 DRWN: LROTHAUS 2006/01/09 CHKD: CYORK 2006/01/09 APPR: JPAWLICK 2006/01/10 | QUALITY SYMBOLS ▽=0 ▽=0 | GENERAL TOLERANCES (UNLESS SPECIFIED) | | DIMENSION STYLE | | SCALE | DESIGN UNITS | THIRD ANGLE PROJECTION | |
| | | | mm | INCH | MM/IN | | 4:1 | | INCH |
| | | 4 PLACES | ± --- | ±.0015 | DRAWN BY DATE | | TITLE | | |
| | | 3 PLACES | ±0.038 | ±.005 | LROTHAUS 12/16/05 | | 3.5MM, EURO HEADER RIGHT ANGLE, MOUNTING ENDS | | |
| 2 PLACES | ±0.13 | ±.01 | CHECKED BY DATE | | MATERIAL NO. | | MOLEX MOLEX INCORPORATED | | |
| 1 PLACE | ±0.3 | ± --- | C. YORK 01/06/06 | | DOCUMENT NO. | | | | |
| ANGULAR ± 2 ° | | | APPROVED BY DATE | | SD-39506-001 | | SHEET NO. | | |
| DRAFT WHERE APPLICABLE MUST REMAIN WITHIN DIMENSIONS | | | SEE CHART | | 2 OF 2 | | | | |
| SIZE B | | THIS DRAWING CONTAINS INFORMATION THAT IS PROPRIETARY TO MOLEX INCORPORATED AND SHOULD NOT BE USED WITHOUT WRITTEN PERMISSION | | | | | | | |

| Description | Circuit size | Material Numbers | | | | | | | | | | | Dimensional Information | | | | | | | | |
|------------------------------------------------|--------------|------------------|-----------|-----------|------------|-----------|-----------|-----------|-----------|-----------|------------|-----------|-------------------------|--------|-------|--------|-------|--------|-------|--------|------|
| | | Black | | | 30 u" Gold | | | Green | | | 30 u" Gold | | | Dim. A | | Dim B | | Dim. C | | | |
| | | 100% Tin | | | 100% Tin | | | 100% Tin | | | 100% Tin | | | mm | inch | mm | inch | mm | inch | | |
| Printing Options | None | 10A | 11A | None | 10A | 11A | None | 10A | 11A | None | 10A | 11A | None | 10A | 11A | Dim. A | | Dim B | | Dim. C | |
| | | | | | | | | | | | | | | | | mm | inch | mm | inch | mm | inch |
| 3.5mm, Euro Header, Right Angle, Mounting Ends | 2 | 395061002 | 395061102 | 395061202 | 395061502 | 395061602 | 395061702 | 395066002 | 395066102 | 395066202 | 395066502 | 395066602 | 395066702 | 17.30 | 0.681 | 3.50 | 0.138 | 12.10 | 0.476 | | |
| 3.5mm, Euro Header, Right Angle, Mounting Ends | 3 | 395061003 | 395061103 | 395061203 | 395061503 | 395061603 | 395061703 | 395066003 | 395066103 | 395066203 | 395066503 | 395066603 | 395066703 | 20.80 | 0.819 | 7.00 | 0.276 | 15.60 | 0.614 | | |
| 3.5mm, Euro Header, Right Angle, Mounting Ends | 4 | 395061004 | 395061104 | 395061204 | 395061504 | 395061604 | 395061704 | 395066004 | 395066104 | 395066204 | 395066504 | 395066604 | 395066704 | 24.30 | 0.957 | 10.50 | 0.413 | 19.10 | 0.752 | | |
| 3.5mm, Euro Header, Right Angle, Mounting Ends | 5 | 395061005 | 395061105 | 395061205 | 395061505 | 395061605 | 395061705 | 395066005 | 395066105 | 395066205 | 395066505 | 395066605 | 395066705 | 27.80 | 1.094 | 14.00 | 0.551 | 22.60 | 0.890 | | |
| 3.5mm, Euro Header, Right Angle, Mounting Ends | 6 | 395061006 | 395061106 | 395061206 | 395061506 | 395061606 | 395061706 | 395066006 | 395066106 | 395066206 | 395066506 | 395066606 | 395066706 | 31.30 | 1.232 | 17.50 | 0.689 | 26.10 | 1.028 | | |
| 3.5mm, Euro Header, Right Angle, Mounting Ends | 7 | 395061007 | 395061107 | 395061207 | 395061507 | 395061607 | 395061707 | 395066007 | 395066107 | 395066207 | 395066507 | 395066607 | 395066707 | 34.80 | 1.370 | 21.00 | 0.827 | 29.60 | 1.165 | | |
| 3.5mm, Euro Header, Right Angle, Mounting Ends | 8 | 395061008 | 395061108 | 395061208 | 395061508 | 395061608 | 395061708 | 395066008 | 395066108 | 395066208 | 395066508 | 395066608 | 395066708 | 38.30 | 1.508 | 24.50 | 0.965 | 33.10 | 1.303 | | |
| 3.5mm, Euro Header, Right Angle, Mounting Ends | 9 | 395061009 | 395061109 | 395061209 | 395061509 | 395061609 | 395061709 | 395066009 | 395066109 | 395066209 | 395066509 | 395066609 | 395066709 | 41.80 | 1.646 | 28.00 | 1.102 | 36.60 | 1.441 | | |
| 3.5mm, Euro Header, Right Angle, Mounting Ends | 10 | 395061010 | 395061110 | 395061210 | 395061510 | 395061610 | 395061710 | 395066010 | 395066110 | 395066210 | 395066510 | 395066610 | 395066710 | 45.30 | 1.783 | 31.50 | 1.240 | 40.10 | 1.579 | | |
| 3.5mm, Euro Header, Right Angle, Mounting Ends | 11 | 395061011 | 395061111 | 395061211 | 395061511 | 395061611 | 395061711 | 395066011 | 395066111 | 395066211 | 395066511 | 395066611 | 395066711 | 48.80 | 1.921 | 35.00 | 1.378 | 43.60 | 1.717 | | |
| 3.5mm, Euro Header, Right Angle, Mounting Ends | 12 | 395061012 | 395061112 | 395061212 | 395061512 | 395061612 | 395061712 | 395066012 | 395066112 | 395066212 | 395066512 | 395066612 | 395066712 | 52.30 | 2.059 | 38.50 | 1.516 | 47.10 | 1.854 | | |
| 3.5mm, Euro Header, Right Angle, Mounting Ends | 13 | 395061013 | 395061113 | 395061213 | 395061513 | 395061613 | 395061713 | 395066013 | 395066113 | 395066213 | 395066513 | 395066613 | 395066713 | 55.80 | 2.197 | 42.00 | 1.654 | 50.60 | 1.992 | | |
| 3.5mm, Euro Header, Right Angle, Mounting Ends | 14 | 395061014 | 395061114 | 395061214 | 395061514 | 395061614 | 395061714 | 395066014 | 395066114 | 395066214 | 395066514 | 395066614 | 395066714 | 59.30 | 2.335 | 45.50 | 1.791 | 54.10 | 2.130 | | |
| 3.5mm, Euro Header, Right Angle, Mounting Ends | 15 | 395061015 | 395061115 | 395061215 | 395061515 | 395061615 | 395061715 | 395066015 | 395066115 | 395066215 | 395066515 | 395066615 | 395066715 | 62.80 | 2.472 | 49.00 | 1.929 | 57.60 | 2.268 | | |
| 3.5mm, Euro Header, Right Angle, Mounting Ends | 16 | 395061016 | 395061116 | 395061216 | 395061516 | 395061616 | 395061716 | 395066016 | 395066116 | 395066216 | 395066516 | 395066616 | 395066716 | 66.30 | 2.610 | 52.50 | 2.067 | 61.10 | 2.406 | | |
| 3.5mm, Euro Header, Right Angle, Mounting Ends | 17 | 395061017 | 395061117 | 395061217 | 395061517 | 395061617 | 395061717 | 395066017 | 395066117 | 395066217 | 395066517 | 395066617 | 395066717 | 69.80 | 2.748 | 56.00 | 2.205 | 64.60 | 2.543 | | |
| 3.5mm, Euro Header, Right Angle, Mounting Ends | 18 | 395061018 | 395061118 | 395061218 | 395061518 | 395061618 | 395061718 | 395066018 | 395066118 | 395066218 | 395066518 | 395066618 | 395066718 | 73.30 | 2.886 | 59.50 | 2.343 | 68.10 | 2.681 | | |
| 3.5mm, Euro Header, Right Angle, Mounting Ends | 19 | 395061019 | 395061119 | 395061219 | 395061519 | 395061619 | 395061719 | 395066019 | 395066119 | 395066219 | 395066519 | 395066619 | 395066719 | 76.80 | 3.024 | 63.00 | 2.480 | 71.60 | 2.819 | | |
| 3.5mm, Euro Header, Right Angle, Mounting Ends | 20 | 395061020 | 395061120 | 395061220 | 395061520 | 395061620 | 395061720 | 395066020 | 395066120 | 395066220 | 395066520 | 395066620 | 395066720 | 80.30 | 3.161 | 66.50 | 2.618 | 75.10 | 2.957 | | |

| | | | | | | | | | |
|------------------------------------------------------------------------------------------------------------------------|-------------------------------|---------------------------------------|------------------|------------------|-------------------|-------------------------------------------------------------------------------------------------------------------------------|-----------------------------------------------------|------------------------|------|
| SEE SHEET 1 EC NO: NEC2006-0310 DRWN: LROTHAUS 2006/01/09 CHKD: CYORK 2006/01/09 APPR: JPAWLICK 2006/01/10 | QUALITY SYMBOLS ▽=0 ▽=0 | GENERAL TOLERANCES (UNLESS SPECIFIED) | | DIMENSION STYLE | | SCALE | DESIGN UNITS | THIRD ANGLE PROJECTION | |
| | | | mm | INCH | MM/IN | | 4:1 | | INCH |
| | | 4 PLACES | ± --- | ±.0015 | DRAWN BY DATE | | TITLE | | |
| | | 3 PLACES | ±0.038 | ±.005 | LROTHAUS 12/16/05 | | 3.5MM, EURO HEADER RIGHT ANGLE, MOUNTING ENDS | | |
| 2 PLACES | ±0.13 | ±.01 | CHECKED BY DATE | | MATERIAL NO. | | MOLEX MOLEX INCORPORATED | | |
| 1 PLACE | ±0.3 | ± --- | C. YORK 01/06/06 | | DOCUMENT NO. | | | | |
| ANGULAR ± 2 ° | | | | APPROVED BY DATE | | SD-39506-001 | | SHEET NO. | |
| DRAFT WHERE APPLICABLE MUST REMAIN WITHIN DIMENSIONS | | | | SEE CHART | | | | 2 OF 2 | |
| | | | | SIZE B | | THIS DRAWING CONTAINS INFORMATION THAT IS PROPRIETARY TO MOLEX INCORPORATED AND SHOULD NOT BE USED WITHOUT WRITTEN PERMISSION | | | |