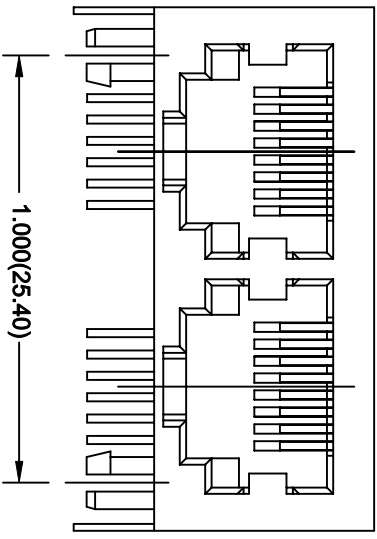
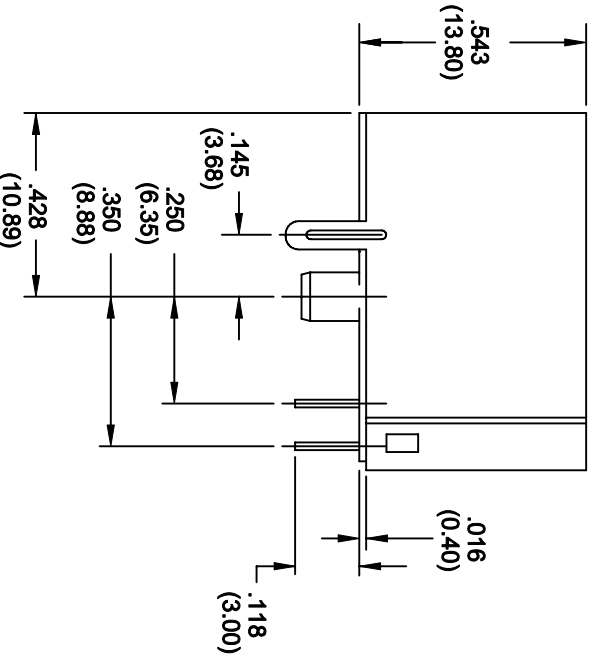


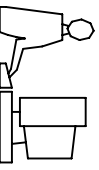
1.225(31.12)



.837
(21.27)



THIS IS A C.A.D. GENERATED DRAWING
DO NOT MAKE MANUAL REVISIONS TO MASTER.



ISSUE NUMBER	ORIGINAL
①	.067 DIA HOLE WAS .032
③	F.BRIONES JUL. 27/06
④	CONTACT IDENTIFICATION ADDED F.BRIONES FEB. 19/07

NOTES

MATERIAL AND FINISH:

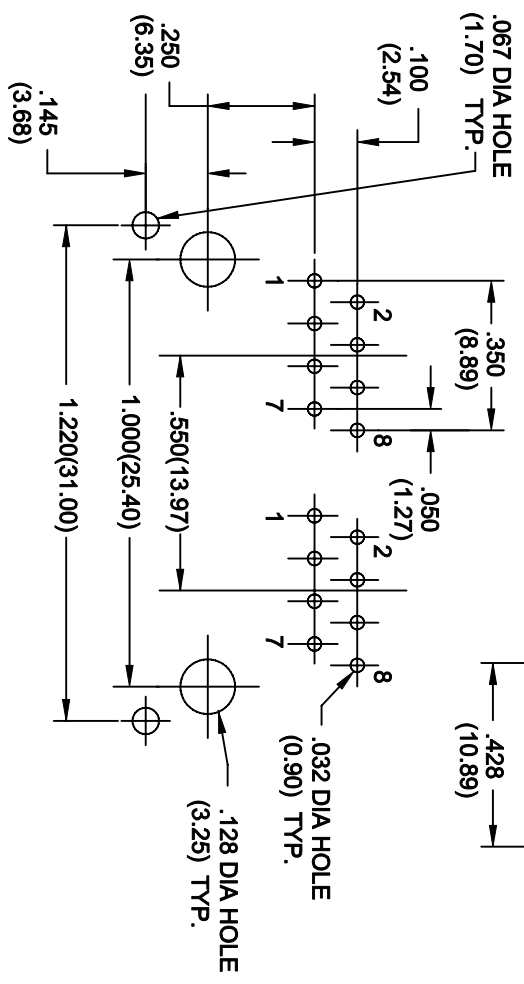
BODY: HOUSING: PBT POLYESTER
UL94V-0 RATED, MIXED GLASS FIBER.
STANDARD COLOR: BLACK

CONTACTS: PHOSPHOR BRONZE(0.45mm DIA.)
PLATED AS PER PART NO. TABLE

SHIELD: 0.23mm THICK COPPER ALLOY
PLATED NICKEL

CAVITY CONFORMS TO FCC RULES AND
REGULATIONS PART 68, SUBPART F

- AOO-216-262-450 GOLD FLASH
- AOO-216-362-450 15 MICRONS OF GOLD
- AOO-216-662-450 30 MICRONS OF GOLD
- AOO-216-962-450 50 MICRONS OF GOLD



PC BOARD LAYOUT



THIS SERIES FULLY CONFORMS TO THE
EUROPEAN UNION DIRECTIVES 2002/95/EC
AND 2002/96/EC FOR ROHS COMPLIANCY.

DUAL 8P FULL SHIELDED JACK (GROUND AT FRONT)

EDAC INC
TORONTO, ONTARIO
CANADA
YOUR CONNECTION TO QUALITY & SERVICE

THESE DRAWINGS AND SPECIFICATIONS
ARE THE PROPERTY OF EDAC INC. AND
SHALL NOT BE REPRODUCED, OR COPIED
OR USED AS THE BASIS FOR THE
MANUFACTURE OR SALE OF APPARATUS
WITHOUT WRITTEN PERMISSION.

ACAD REF. DRAWING:	A00-216-262-450
DRAWN: F.BRIONES	DATE: SEP.17/01

CHECKED:	DATE:
SCALE: 1:1	SHEET 1 OF 1

DRAWING NUMBER	A00-216-262-450
ISSUE	4