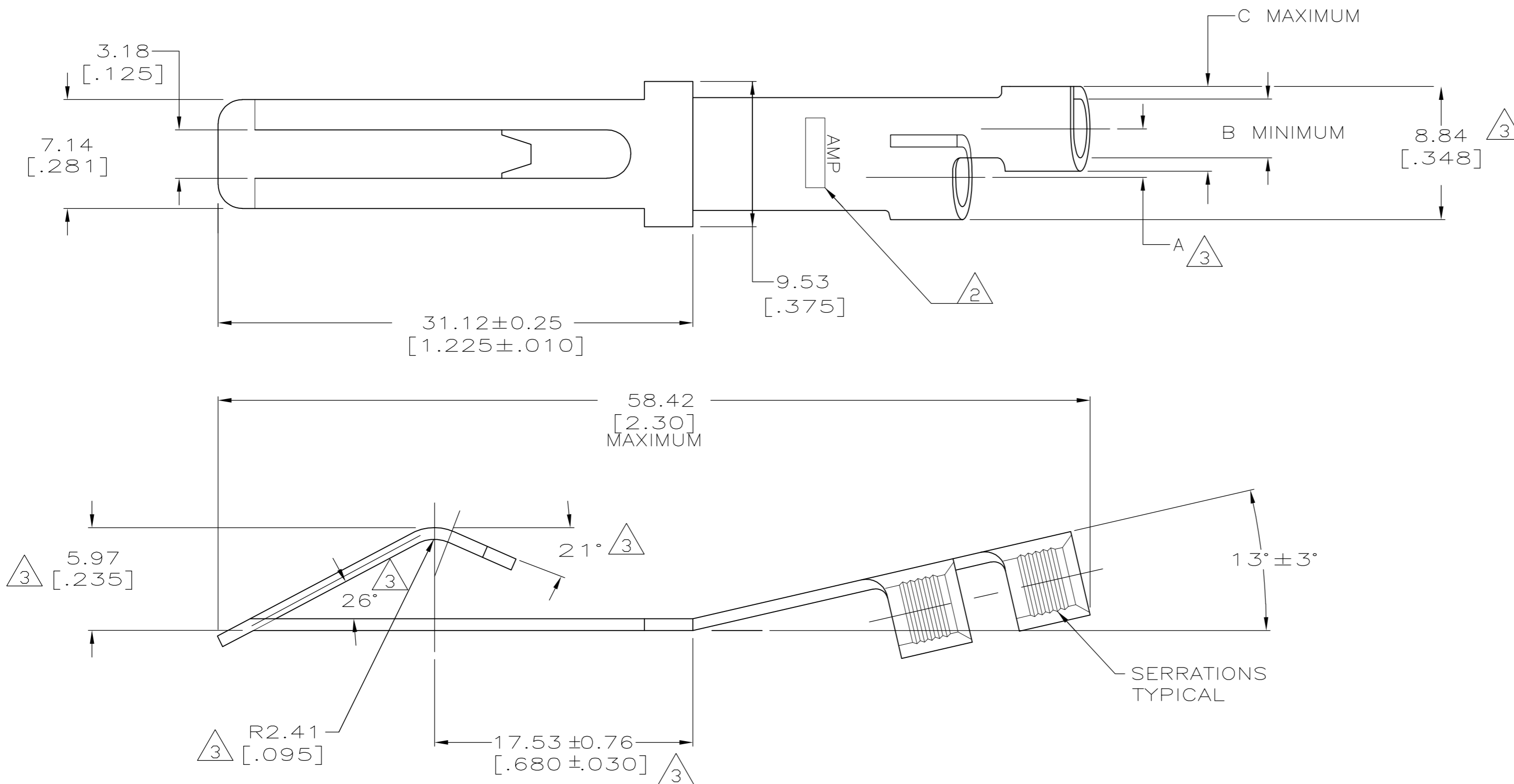


THIS DRAWING IS UNPUBLISHED. RELEASED FOR PUBLICATION
 © COPYRIGHT BY TYCO ELECTRONICS CORPORATION. ALL RIGHTS RESERVED.

LOC	DIST	REVISIONS			
P	LTR	DESCRIPTION	DATE	DWN	APVD
HM	00	H	REVISED PER ECR 09-027795	28DEC09	JR TM

- 1 MATERIAL: PHOSPHOR BRONZE, 0.79[.031] THICK, SILVER PLATE.
- 2 AMP AND WIRE GAUGE LOCATED APPROXIMATELY AS SHOWN. WIRE SIZE PER TABLE.
- 3 REFERENCE



OBSOLETE	14-10	5.08 [.200]	3.28 [.129]	3.89 [.153]	52075-2
	12-10	5.74 [.226]	3.73 [.147]	3.22 [.127]	52075-1
	2 AWG WIRE SIZE	C	B	A	PART NO

THIS DRAWING IS A CONTROLLED DOCUMENT.		DWN L. HALL 07OCT02	Tyco Electronics Corporation Harrisburg, PA 17105-3608	
DIMENSIONS: mm		CHK M. DELPHIAS 08OCT02		
TOLERANCES UNLESS OTHERWISE SPECIFIED:		APVD M. DELPHIAS 08OCT02	NAME	
0 PLC ± -		PRODUCT SPEC	TERMINAL BODY, FLAG RELAY CONTACT	
1 PLC ± -		APPLICATION SPEC	-	
2 PLC ± 0.51[.02]		WEIGHT -	SIZE A2	RESTRICTED TO -
3 PLC ± 0.20[.008]		CUSTOMER DRAWING	CAGE CODE 00779	DRAWING NO C=52075
4 PLC ± -		SCALE 4:1	SHEET 1 OF 1	REV H
ANGLES ± 5°				
FINISH 1				