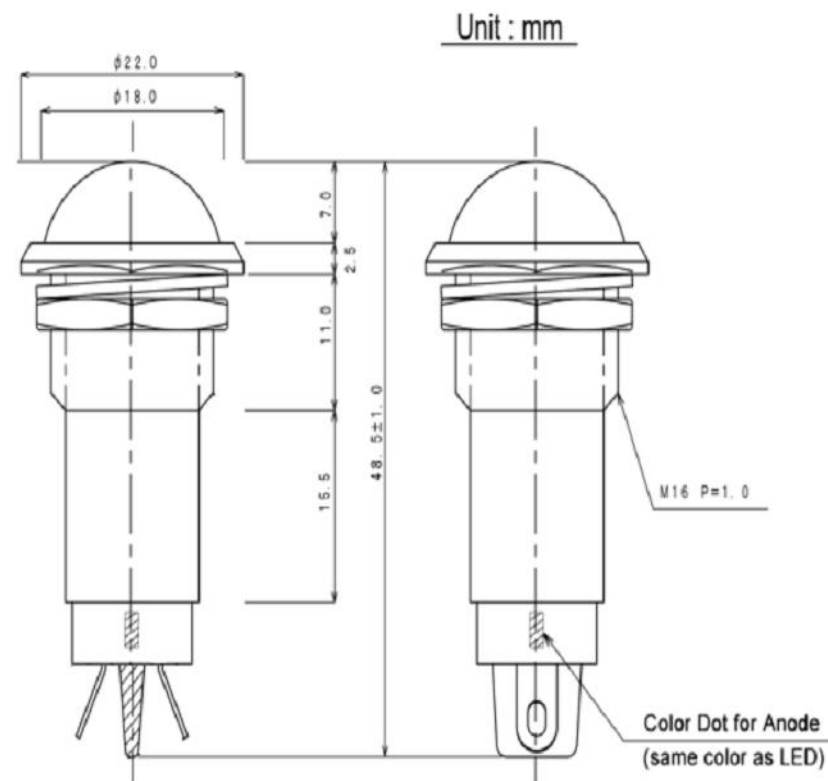


DIALIGHT PART NO.	LED COLOR	OPERATING VOLTAGE (SEE TABLE)	PIECE/PART MARKING
686-1132-121F	HIGH BRIGHT RED	6VDC	DIALIGHT 6V
686-1232-122F	HIGH BRIGHT GREEN	6VDC	
686-1332-123F	HIGH BRIGHT ORANGE	6VDC	
686-1432-124F	HIGH BRIGHT BLUE	6VDC	DIALIGHT 12V
686-1132-131F	HIGH BRIGHT RED	12VDC	
686-1232-132F	HIGH BRIGHT GREEN	12VDC	
686-1332-133F	HIGH BRIGHT ORANGE	12VDC	DIALIGHT 24V
686-1432-134F	HIGH BRIGHT BLUE	12VDC	
686-1132-141F	HIGH BRIGHT RED	24VDC	
686-1232-142F	HIGH BRIGHT GREEN	24VDC	DIALIGHT 24V
686-1332-143F	HIGH BRIGHT ORANGE	24VDC	
686-1432-144F	HIGH BRIGHT BLUE	24VDC	



Mounting Hole: $\Phi 16.5$

REV	ECN NO	REVISIONS	DRN	CKD	APP	QA	CM	DATE
A	—	NEW RELEASE	BP					

- NOTES:
- 1, MOUNTING HOLE SIZE: 0.650" (16.5 MM)
 - 2, MAX PANEL THICKNESS: 0.236" (6.3 MM)
 - 3, MATERIALS:
 - 3.1, HOUSING: BLACK POLYCARBONATE
 - 3.2, MOUNTING HEX NUT: BRASS, NICKEL PLATED.
 - 3.3, SPLIT LOCK WASHER: STEEL, UNI-CHROME PLATED.
 - 3.4, HEADER/INSULATOR: POLYCARBONATE, COLOR: BLACK
 - 4, SOLDERABILITY: PER ANSI/IPC-S-805, METHOD A.
 - 5, RECOMENDED MOUNTING TORQUE: 0.217 LBS/FT (3 KG/CM)

RoHS COMPLIANT C18282

Part Numbers with the "F" suffix ending are RoHS Compliant. Packaging is marked with "RoHS Compliant" label or equivalent markings. Parts can be wave soldered, dip soldered or hand soldered using typical lead-free soldering process with max 260°C temp. for 5 sec.

LED Specifications

Color	Absolute Maximum Ratings				
	Forward Current IF (mA)	Reverse Voltage VR (V)	Power Dissipation PD (mW)	Operating Temp. Topr (°C)	Storage Temp. Tstg (°C)
Red	30	10	72	-30 ~ +85	-40 ~ +100
Green	30	7	108	-30 ~ +85	-40 ~ +100
Orange	30	10	72	-30 ~ +85	-40 ~ +100
Blue	30	7	108	-30 ~ +85	-40 ~ +100
White	30	7	105	-30 ~ +85	-40 ~ +100

Electro-Optical Characteristics

Forward Voltage VF (V)	Reverse Current IR (μA)	Luminous Intensity Iv (mcd)	Wave Length λ d (nm)	LineHalf-width Δλ (nm)	Angle (Ref.) 2θ 1/2
2.05	10	2100	624	20	30
3.3	10	25000	525	30	30
2.05	10	2000	605	17	30
3.3	10	5400	470	22	30
3.1	5	17000	**x = 0.32, y=0.32		30

THIS DRAWING AND THE CONTENTS HEREIN ARE CONFIDENTIAL AND THE SOLE PROPERTY OF DIALIGHT. REPRODUCTION OF THIS DRAWING OR CONSTRUCTION OF ANY PARTS WITHIN THIS DRAWING ARE FORBIDDEN WITHOUT THE WRITTEN CONSENT OF DIALIGHT.

SCALE: 3.000 ALL DIM'S IN: INCHES (MM)	DRAWING NUMBER C-18282	REV A
TOLERANCES: UNLESS OTHERWISE SPECIFIED FRACTIONS: ±1/64 DECIMALS (.XX): ±.01 DECIMALS (.XXX): ±.005 DECIMALS (.XXXX): ±.0005 ANGLES: ±1°	TITLE 16mm HIGH BRIGHT LED PMI	MATERIAL —
FINISH: —	1501 ROUTE 34 SOUTH FARMINGDALE, NJ 07727	
FSCM 83330	SHEET 1 OF 1 FAMILY TABLE:	