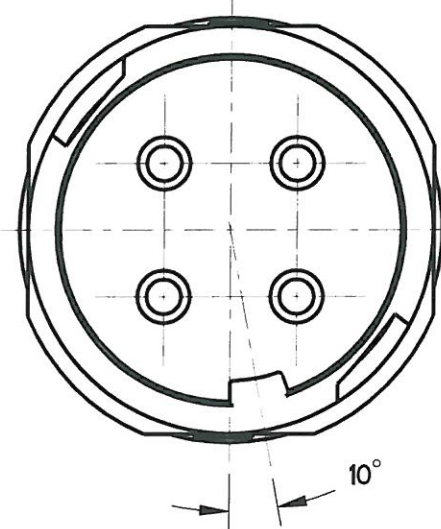
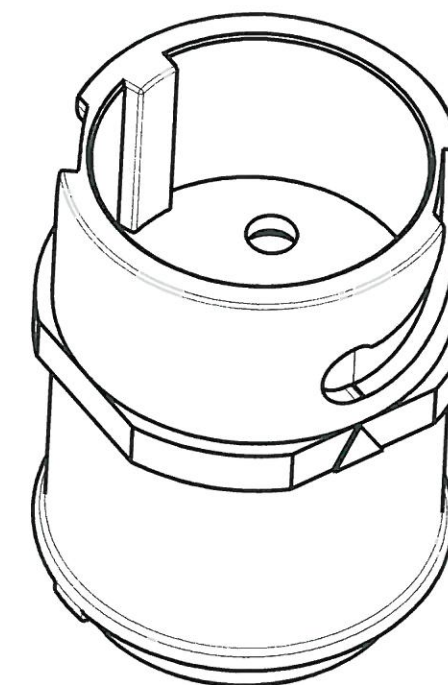
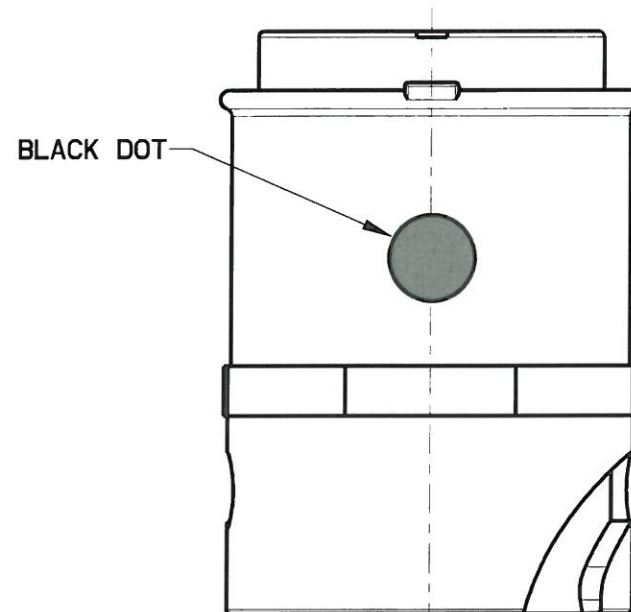
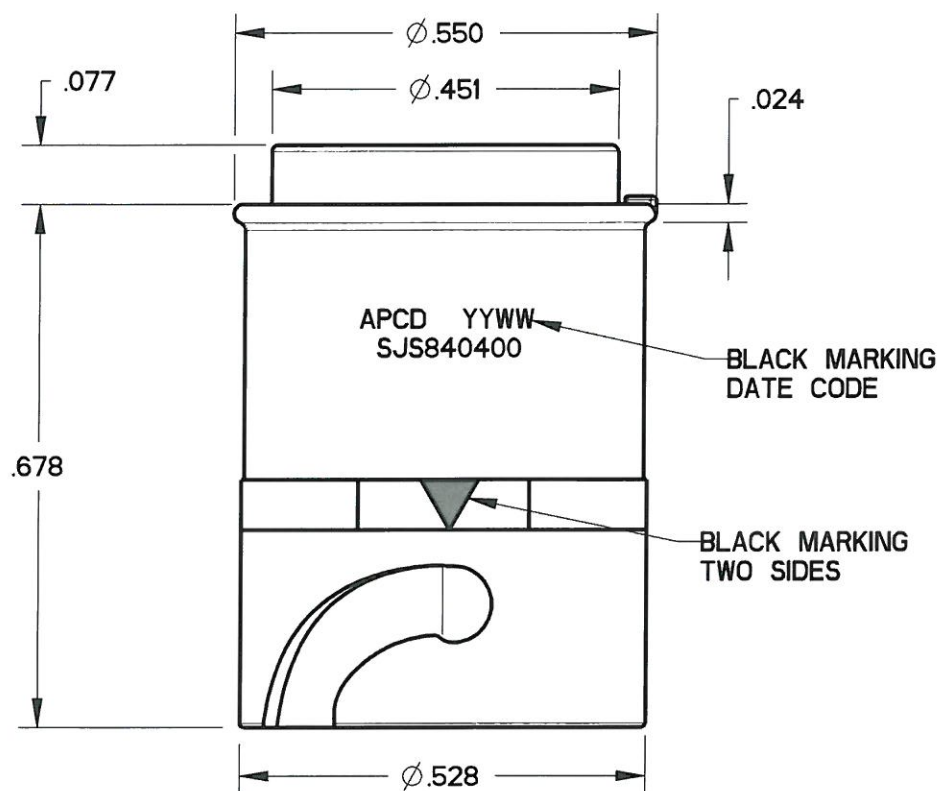
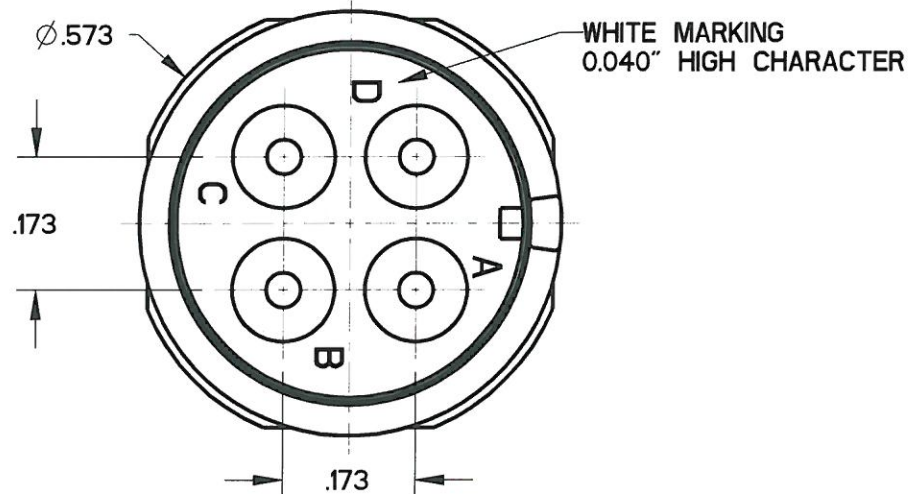


REV	ECN	APP'D
A	6428	JT 10/28/09
B	6473	JT 2/8/10
C	6564	JT 8/6/10



- NOTES:
- MATERIALS:  
HOUSING: PA6/6  
CONTACT RETAINER: STAINLESS STEEL  
GROMMET: SILICONE RUBBER PER A-A-59588
  - ACCEPTS M39029/58-364 PIN CONTACTS (NOT INCLUDED)
  - PART MATES WITH SJS840410
  - WEIGHT: 1.9 GRAMS
  - SUPPLIED WITH DUST CAP

DIMENSIONS	TOLERANCES	PROJECTION	Amphenol Pcd SPECIFICATION DRAWING		TITLE		
ANSI Y14.5M UNITS: INCHES Pro/E FILE	.XX ±0.01 .XXX ±0.005 ANGLES ±1.0°		ENGR Frank.Li	15-Mar-09	4P SZ16 INLINE WHITE RECEPTACLE FOR SJS		
ORIGINAL	THIS DOCUMENT CONTAINS PROPRIETARY INFORMATION WHICH IS THE CONFIDENTIAL PROPERTY OF AMPHENOL PCD INC., BEVERLY, MA	CHKD 	8/6/10	SIZE B	DWG NO. SJS840400_CE	REV C	
		APPD 	8/6/10	CODE: 58982	SCALE: 4:1	SHEET 1 OF 1	

SJS840400

SJS840400