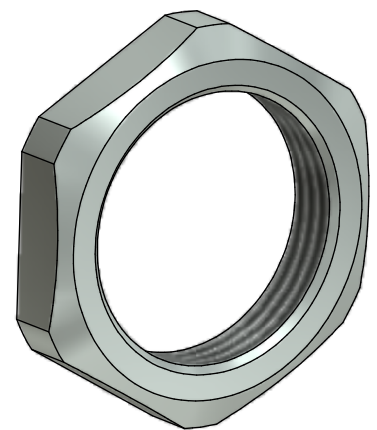
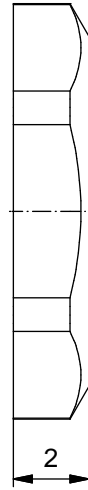
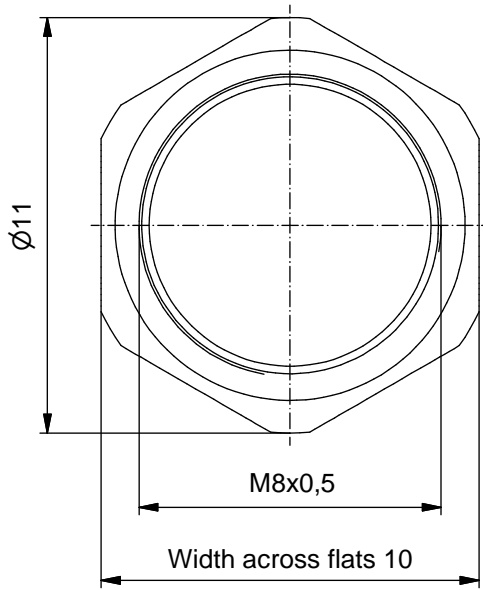
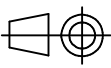



**Materials:**

Material: CuZn

Plating: Nickel gal.



DO NOT ALTER CAD DRAWING BY HAND Directive 2002/95/EC RoHS compliant	Index: a 24.03.11 VF Ä3941 data sheet revised	 dim. in mm	title: <b>Hex nut M8x0,5</b>	
		date name		
		drawn 27.05.10 Fromm		
		appd. 27.05.10 Burschik	dwg no: <b>42K1A232</b>	
	general tolerance: 0 ± 0,50mm 0,0 ± 0,25mm 0,00 ± 0,10mm		part no: <b>42-01046</b>	
<small>THIS DRAWING MAY NOT BE COPIED OR REPRODUCED IN ANY WAY, AND MAY NOT BE PASSED ON TO A THIRD PARTY WITHOUT WRITTEN PERMISSION. OWNERSHIP AND COPYRIGHT OF CONEC GmbH</small>				