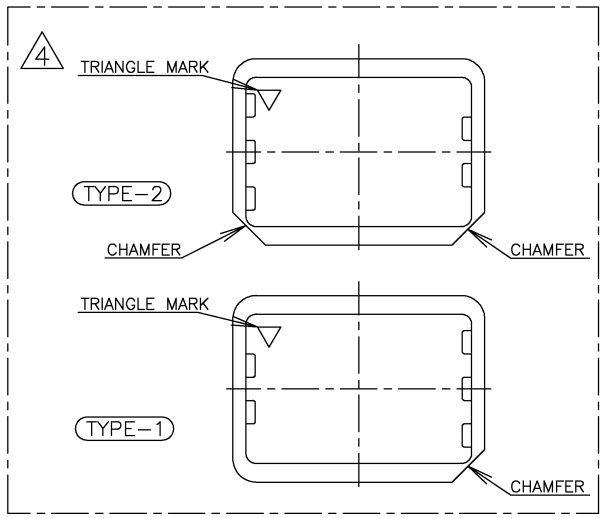
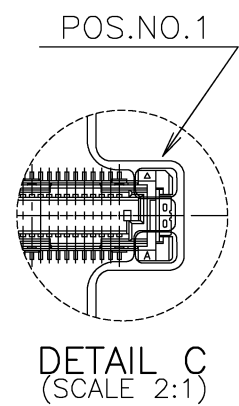
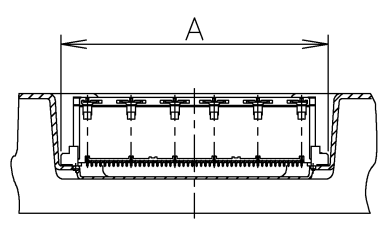
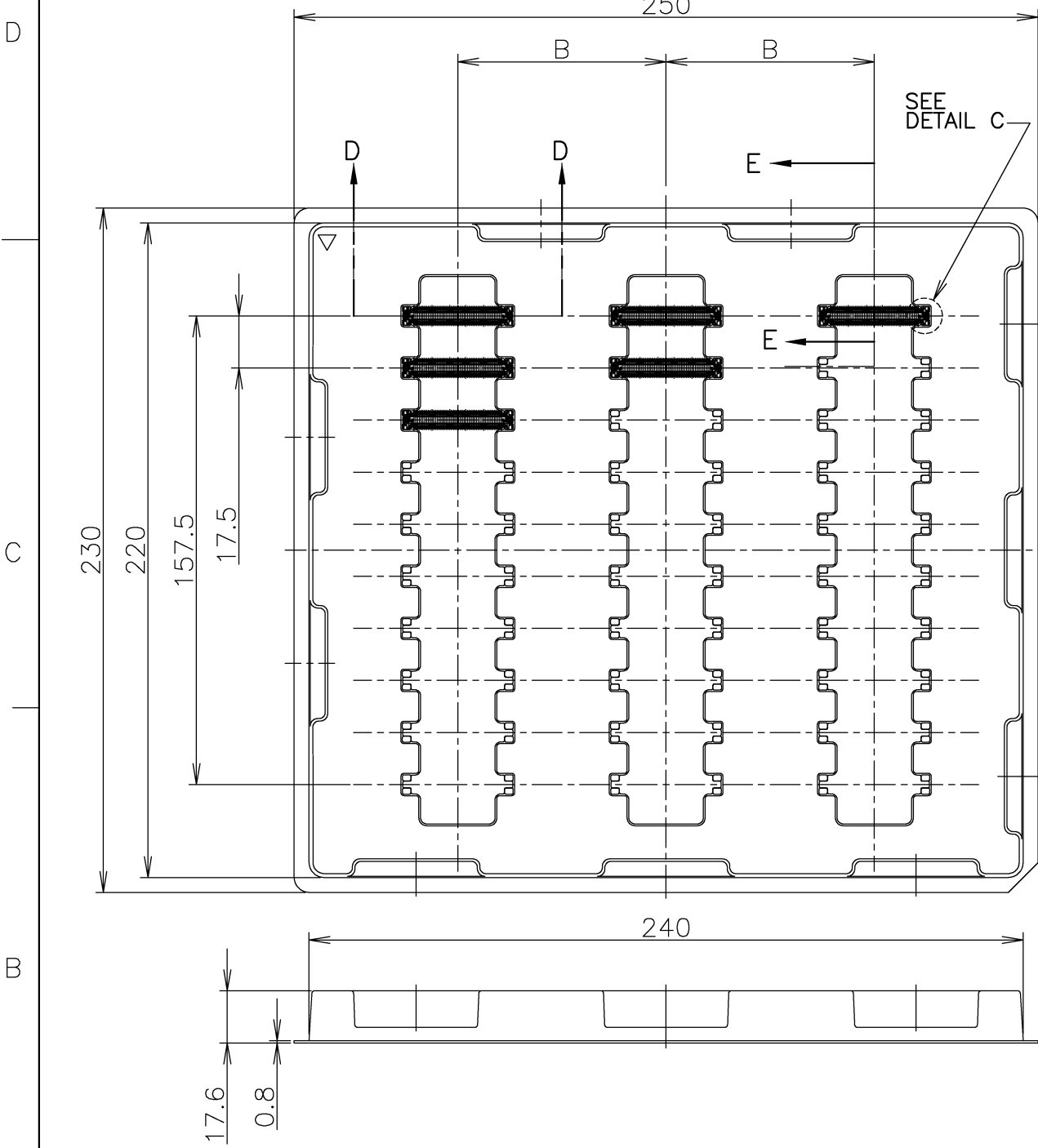


THIS DRAWING IS UNPUBLISHED. RELEASED FOR PUBLICATION JUL ,2008.

© COPYRIGHT 2008 BY TYCO ELECTRONICS CORPORATION. ALL RIGHTS RESERVED.

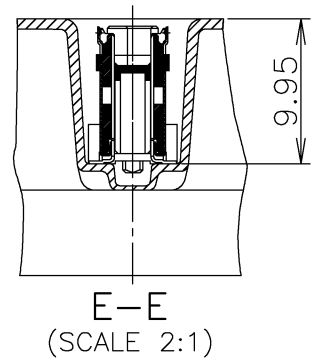
AS SHOWN: TYPE-1

LOC	DIST	REVISIONS					
J		P	LTR	DESCRIPTION	DATE	DWN	APVD
		A		RELEASED	24JUL2008	Y.N	T.F



SEALANT	TOOLING STATUS	AVAILABLE	3	30	70	54.7	160	3-912072-4	6-2069367-1	
		NOT AVAILABLE	↑	↑	↑	48.7	140	7-	-2	6-
		↑	↓	↓	42.7	120	7-	-1	5-	-9
		↓	↓	↓	36.7	100	7-	-0	5-	-8
		↓	↓	↓	33.7	90	6-	-9	5-	-7
		↓	↓	↓	30.7	80	6-	-8	5-	-6
		↓	↓	↓	27.7	70	6-	-7	5-	-5
		↓	↓	↓	24.7	60	6-	-6	5-	-4
		↓	↓	↓	21.7	50	6-	-5	5-	-3
		↓	↓	↓	18.7	40	6-	-4	5-	-2
		↓	↓	↓	15.7	30	6-912072-3		5-2069367-1	
		↓	↓	↓	54.7	160	3-912072-4		1-2069367-1	
		↓	↓	↓	48.7	140	7-	-2	1-	-0
		↓	↓	↓	42.7	120	7-	-1		-9
		↓	↓	↓	36.7	100	7-	-0		-8
		↓	↓	↓	33.7	90	6-	-9		-7
		↓	↓	↓	30.7	80	6-	-8		-6
		↓	↓	↓	27.7	70	6-	-7		-5
		↓	↓	↓	24.7	60	6-	-6		-4
		↓	↓	↓	21.7	50	6-	-5		-3
		↓	↓	↓	18.7	40	6-	-4		-2
		↓	↓	↓	15.7	30	6-912072-3		2069367-1	
		↓	↓	↓	54.7	160	3-912072-4		1-2069367-1	

△ TRAY TYPE-1 AND TYPE-2 MUST BE PILED UP BY TURNS. (REFER TO PACKING SPECIFICATIONS)



GENERAL TOLERANCE
一般公差

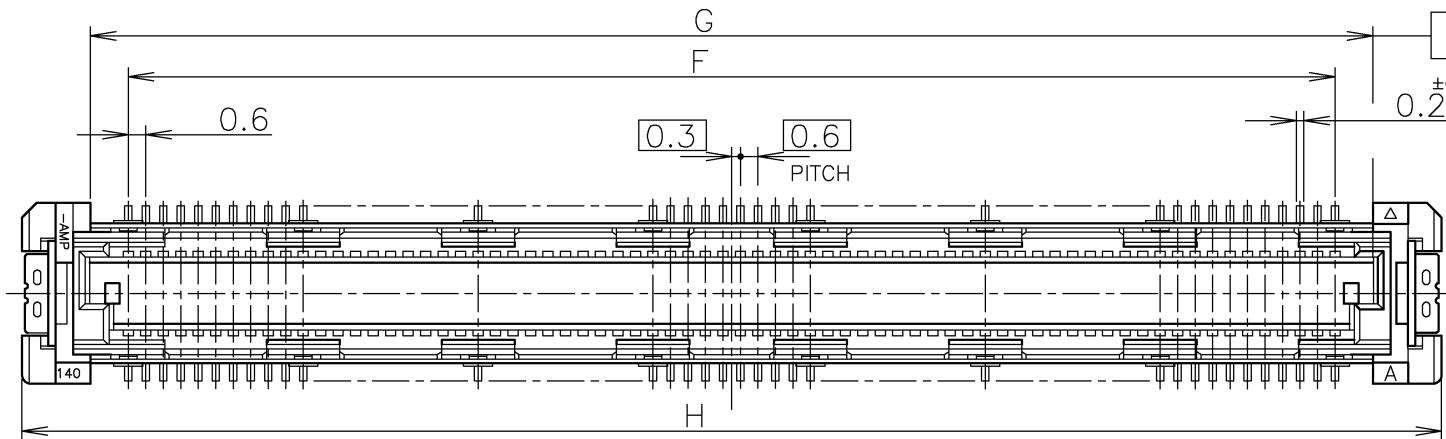
10 ≥ ±0.2
30 ≥ >10: ±0.25
100 ≥ >30: ±0.3
ANGLES: ±3°

THIS DRAWING IS A CONTROLLED DOCUMENT.

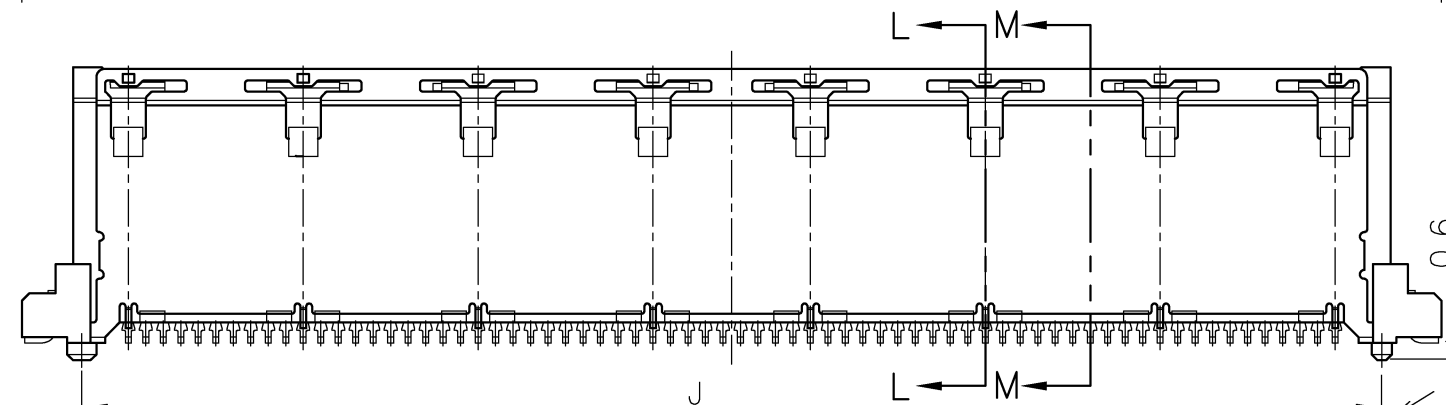
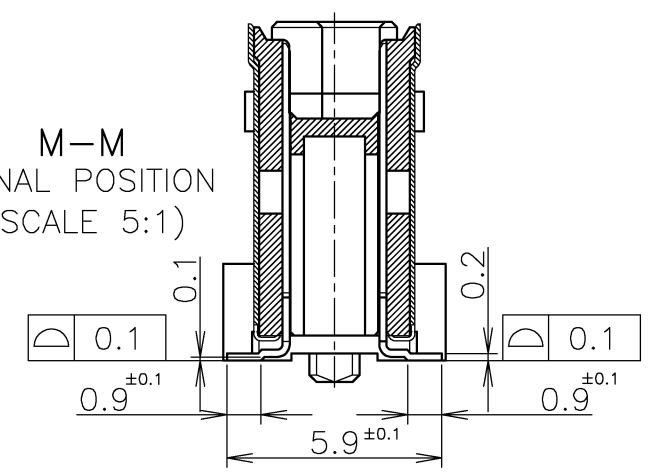
DIMENSIONS: 単位: 耗 mm	TOLERANCES UNLESS OTHERWISE SPECIFIED: 一般公差	DWN Y.NAKAZAWA 24JUL2008	Tyco Electronics Corporation Kawasaki, Japan	
MATERIAL 材料	FINISH 仕上	CHK T.FUTATSUGI 24JUL2008	SOFT TRAY ASSY FH 0.6BTB CONNECTOR PLUG 10H W/G-PLATE Au-PLATED 0.00076mm	
		APVD T.FUTATSUGI 24JUL2008	NAME 名称	RESTRICTED TO
		PRODUCT SPEC 製品規格 108-60047	SIZE A3	CAGE CODE 00779
		APPLICATION SPEC 取付適用規格 114-5255	DRAWING NO 番号 G-2069367	SCALE 尺度 1:2
		WEIGHT	SHEET 1 of 3	
		CUSTOMER DRAWING	REV A	

THIS DRAWING IS UNPUBLISHED. RELEASED FOR PUBLICATION JUL, 2008.
 © COPYRIGHT 2008 BY TYCO ELECTRONICS CORPORATION. ALL RIGHTS RESERVED.

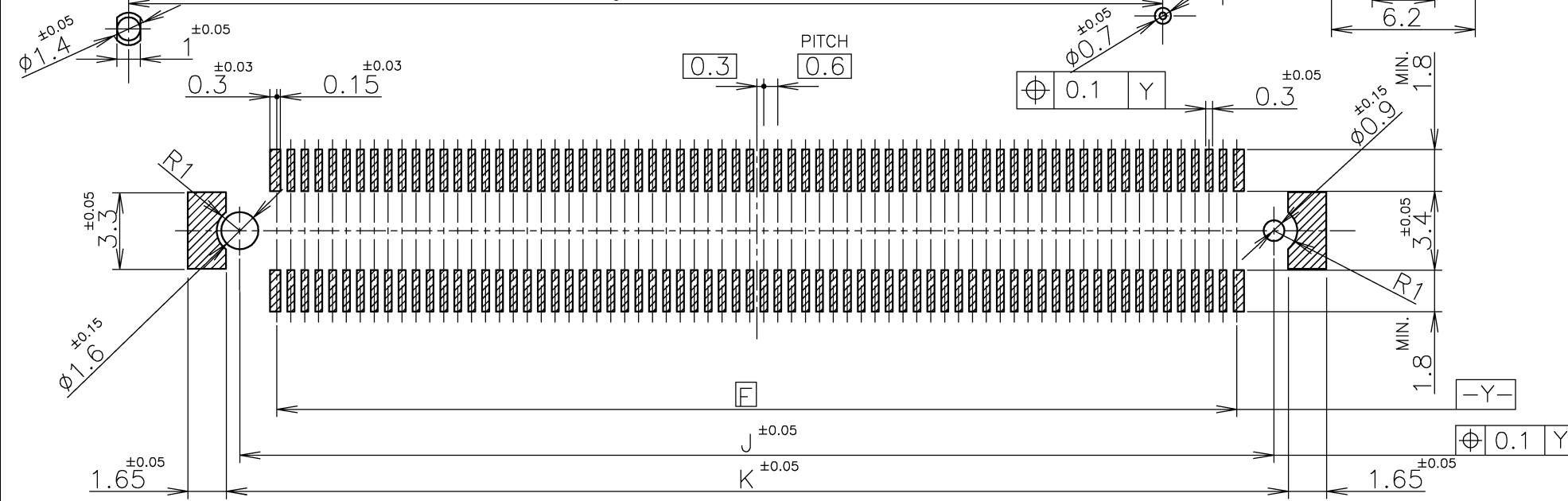
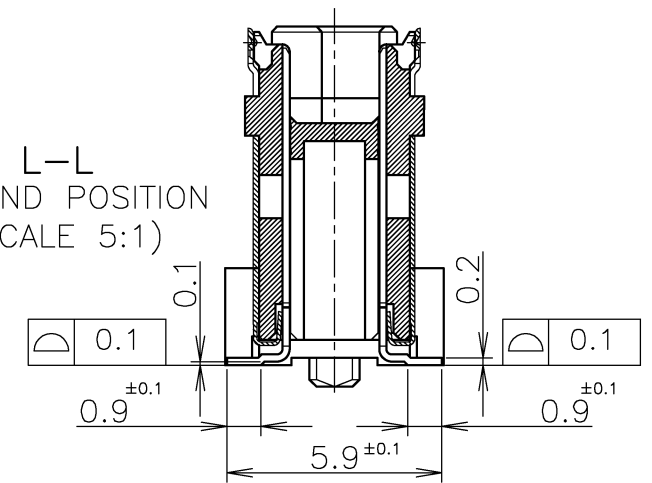
LOC	DIST	REVISIONS			DATE	DWN	APVD
		P	LTR	DESCRIPTION			
J				SEE SHEET 1	-	-	-



M-M
SIGNAL POSITION
(SCALE 5:1)



L-L
GROUND POSITION
(SCALE 5:1)



AVAILABLE	51.8	50.6	54.7	50	47.4	160
NOT AVAILABLE	45.8	44.6	48.7	44	41.4	140
	39.8	38.6	42.7	38	35.4	120
	33.8	32.6	36.7	32	29.4	100
	30.8	29.6	33.7	29	26.4	90
	27.8	26.6	30.7	26	23.4	80
	24.8	23.6	27.7	23	20.4	70
	21.8	20.6	24.7	20	17.4	60
	19.8	17.6	21.7	17	14.4	50
	15.8	14.6	18.7	14	11.4	40
NOT AVAILABLE	12.8	11.6	15.7	11	8.4	30
TOOLING STATUS	K	J	H	G	F	POS

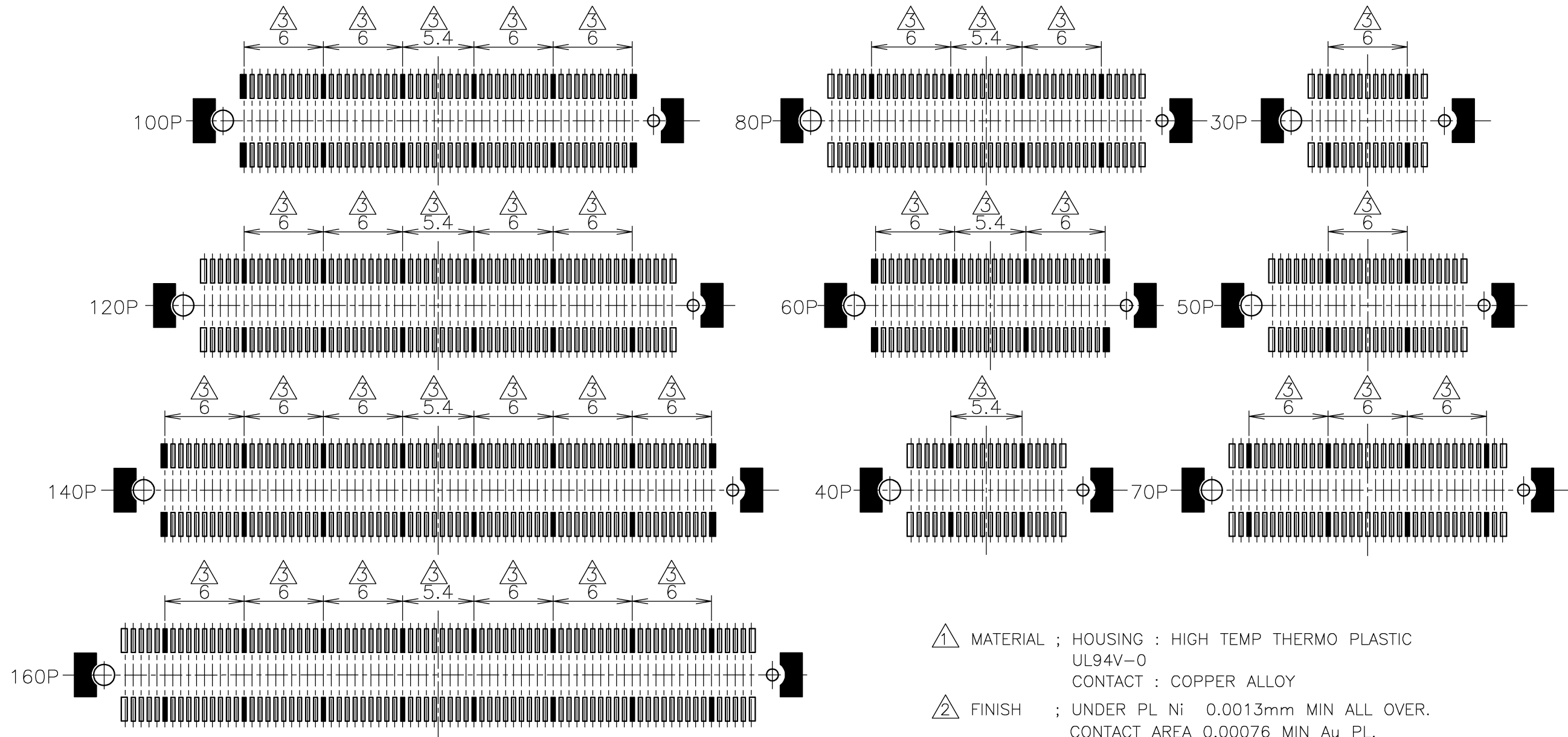
REFERENCE P.C. BOARD LAYOUT

GENERAL TOLERANCE
 一般公差
 10 ≥ : ±0.2
 30 ≥ : >10: ±0.25
 100 ≥ : >30: ±0.3
 ANGLES: ±3°

THIS DRAWING IS A CONTROLLED DOCUMENT.		DWN		Tyco Electronics Corporation Kawasaki, Japan	
DIMENSIONS: 単位: 耗 mm		TOLERANCES UNLESS OTHERWISE SPECIFIED: 一般公差		NAME 名称	
0 PLC ±		1 PLC ±		SOFT TRAY ASSY	
2 PLC ±		3 PLC ±		FH 0.6BTB CONNECTOR	
4 PLC ±		ANGLES ±		PLUG 10H W/G-PLATE Au-PLATED 0.00076mm	
MATERIAL 材料		FINISH 仕上		SIZE	CAGE CODE
1		2		A3	00779
				DRAWING NO 番号	RESTRICTED TO
				G-2069367	
				WEIGHT	SCALE 尺度
					4:1
				CUSTOMER DRAWING	SHEET 2 OF 3
					REV A

THIS DRAWING IS UNPUBLISHED. RELEASED FOR PUBLICATION JUL ,2008.
 © COPYRIGHT 2008 BY TYCO ELECTRONICS CORPORATION. ALL RIGHTS RESERVED.

LOC	DIST	REVISIONS 変更			
P	LTR	DESCRIPTION	DATE	DWN	APVD
J		SEE SHEET 1	-	-	-



- ① MATERIAL ; HOUSING : HIGH TEMP THERMO PLASTIC UL94V-0
CONTACT : COPPER ALLOY
- ② FINISH ; UNDER PL Ni 0.0013mm MIN ALL OVER.
CONTACT AREA 0.00076 MIN Au PL.
SOLDERING AREA 0.001 MIN TIN PL.
- ③ THIS POSITION IS GROUND CIRCUIT.

GENERAL TOLERANCE
一般公差

10 ≥ : ±0.2
 30 ≥ : >10: ±0.25
 100 ≥ : >30: ±0.3
 ANGLES: ±3°

THIS DRAWING IS A CONTROLLED DOCUMENT.		DWN	Tyco Electronics Corporation Kawasaki, Japan	
DIMENSIONS: 単位: 耗 mm		CHK	NAME 名称	
TOLERANCES UNLESS OTHERWISE SPECIFIED: 一般公差		APVD	SOFT TRAY ASSY FH 0.6BTB CONNECTOR PLUG 10H W/G-PLATE Au-PLATED 0.00076mm	
0 PLC ± - 1 PLC ± - 2 PLC ± - 3 PLC ± - 4 PLC ± - ANGLES ± -		PRODUCT SPEC 製品規格	SIZE	RESTRICTED TO
MATERIAL 材料		APPLICATION SPEC 取付適用規格	CAGE CODE	DRAWING NO 番号
FINISH 仕上		WEIGHT	A3 00779	G-2069367
CUSTOMER DRAWING			SCALE 尺度 3:1	SHEET 3 of 3
			REV A	