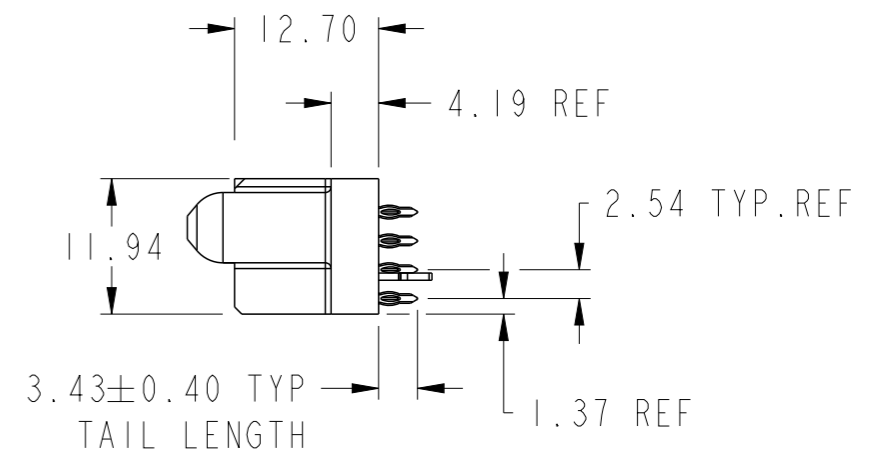
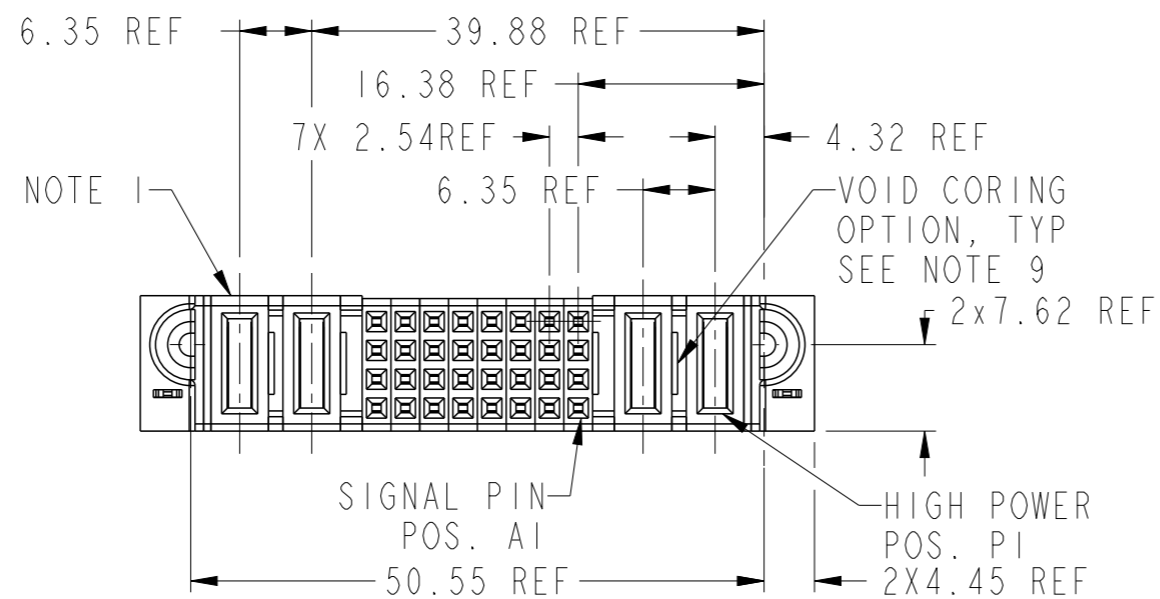
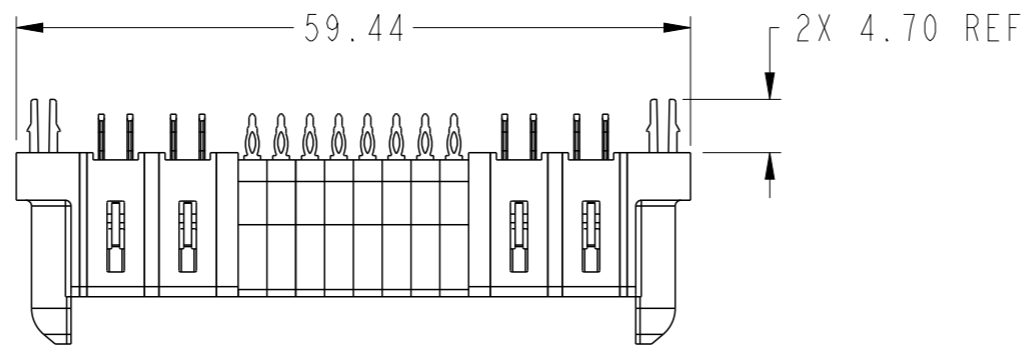
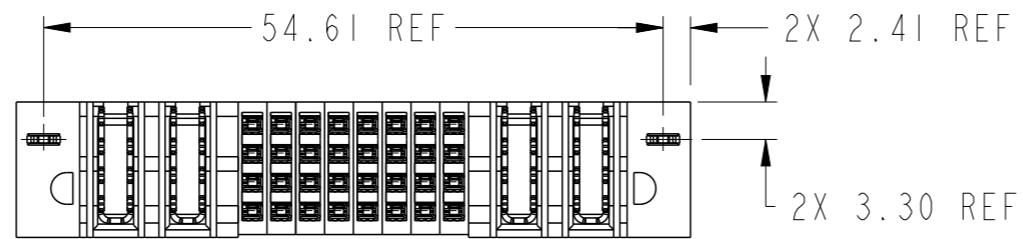


PRODUCT NUMBER SEE SHEET 2



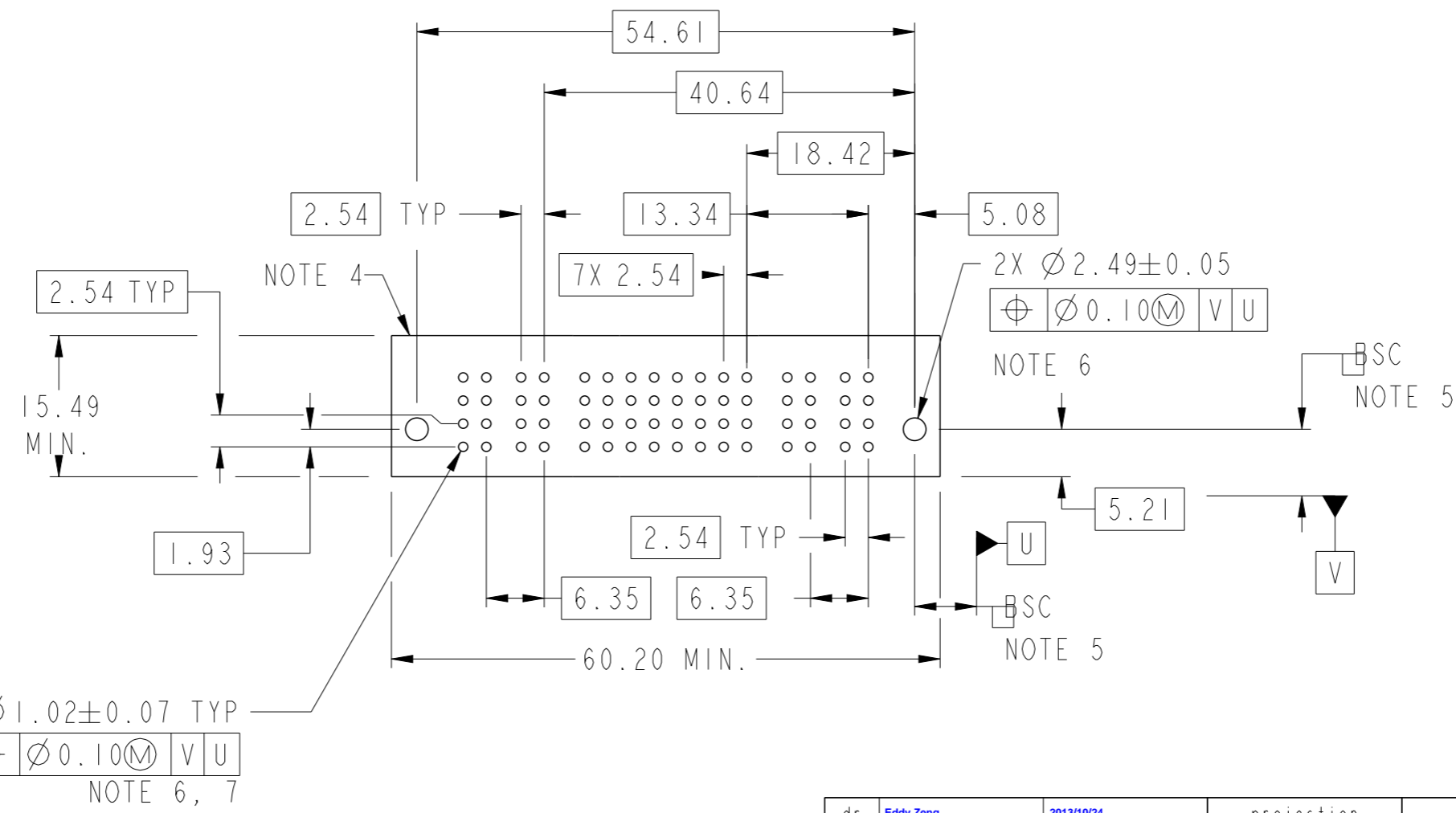
spec ref		dr	Eddy Zeng	2013/10/24	projection MM ←→	size	A3	scale	3:2	
tolerance std ASME Y14.5		eng	Xie Bob	2013/11/07		product family	ecn no		-	
TOLERANCES UNLESS OTHERWISE SPECIFIED		chr	Li-He	2013/11/04			PowerBlade+	rel level		Released
surface ✓	linear	0.X	±0.50	FCj www.fci.com	2HP + 32S + 2HP VT PF RECEPTACLE	cat. no.	Product - Customer Drw	sheet 1 of 3	rev A	
		0.XX	±0.25							
ASME Y14.5	angular	0°	±2°							



Copyright FCI.

PRODUCT NO.	ROWS	HIGH POWER			SIGNAL								HIGH POWER					
		E1	P4	P3	8	7	6	5	4	3	2	1	P2	P1	E2			
10106131-4008001LF	DCBA	HA	HG	HG	F	F	F	F	F	F	F	F	F	F	F	HG	HG	HA

CODE	DESCRIPTION
F	STD SIGNAL CONTACT
HA	METAL HOLD DOWN
HG	STD HIGH POWER CONTACT (3.43)



Copyright FCI.

dr	Eddy Zeng	2013/10/24	projection	MM	size	A3	scale	3:2	
eng	Xie Bob	2013/11/07			ecn no				
chr	Li-He	2013/11/04			-				
appr	Pei-Ming Zheng	2013/11/07	product family	PowerBlade+	rel level				
					2HP + 32S + 2HP VT PF RECEPTACLE		dwg no 10106131-4008001	rev A	
www.fci.com			cat. no.		Product - Customer Drw			sheet 2 of 3	

A

B

C

D

A

B

C

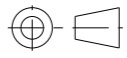
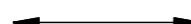

D

NOTES:

- 1) "FCI", PART NUMBER AND DATE CODE TO BE MARKED ON THIS SURFACE.
THE MARK CAN BE OMITTED IF THERE IS NOT ENOUGH SPACE ON THIS SURFACE.
- 2) MATERIALS:
-HOUSING - GLASS FILLED WITH HIGH TEMP THERMOPLASTIC, UL94V-0.
-SIGNAL CONTACT - COPPER ALLOY.
-POWER CONTACT - HIGH CONDUCTIVITY COPPER ALLOY.
- 3) PLATING SPECIFICATION REFER TO FCI 10116351
- 4) DENOTES CONNECTOR KEEP OUT ZONE.
- 5) DATUM AND BASIC DIMENSIONS WERE ESTABLISHED BY CUSTOMER.
- 6) ALL HOLE DIAMETERS ARE FINISHED HOLE SIZES.
- 7) 1.15 ± 0.025 MM DRILLED HOLE PLATED WITH 0.00762MM MIN Sn
OVER 0.0254-0.0762MM Cu PLATING TO ACHIEVE A 1.02 ± 0.07 MM HOLE.
- 8) PRODUCT SPECIFICATION REFER TO FCI GS-12-658.
APPLICATION SPECIFICATION REFER TO FCI GS-20-141.
PRODUCT PACKAGED IN TRAYS, REFER TO FCI GS-14-1502.
- 9) THE VOID CORING IN BETWEEN POWER MODULES, SIGNAL
MODULES AND END MODULES ARE OPTIONAL AND THE SHAPE
MAY BE DIFFERENT FOR OPTIMIZE THE MOLDING PROCESS. THE
VOID CORING WILL NOT EFFECT TO PRODUCT FUNCTION.



Copyright FCI.

dr	Eddy Zeng	2013/10/24	projection 	MM 	size	A3	scale	1:1
eng	Xie Bob	2013/11/07			ecn no	-		
chr	Li-He	2013/11/04			rel level	Released		
appr	Pei-Ming Zheng	2013/11/07			product family	PowerBlade+		
		title 2HP + 32S + 2HP VT PF RECEPTACLE		dwg no 10106131-4008001	rev A			
www.fci.com		cat. no.	Product - Customer Drw		sheet 3 of 3			