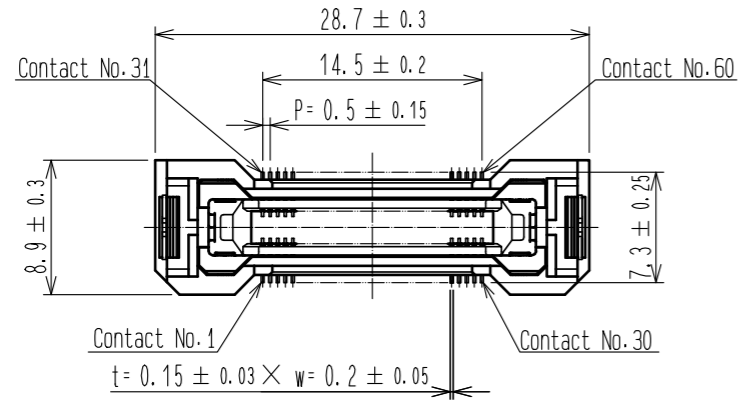
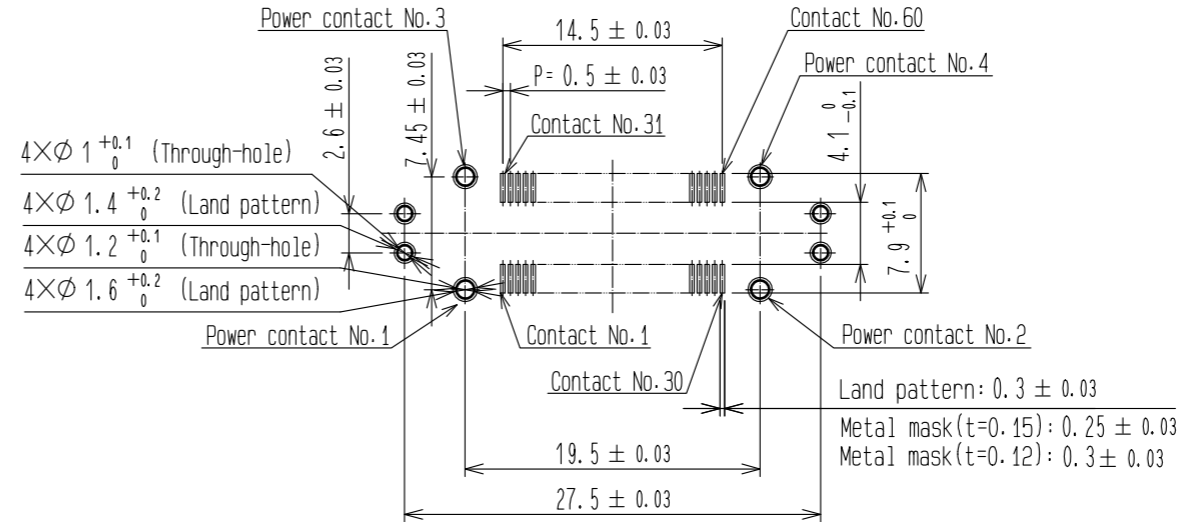


Apr.1.2017 Copyright 2017 HIROSE ELECTRIC CO., LTD. All Rights Reserved.

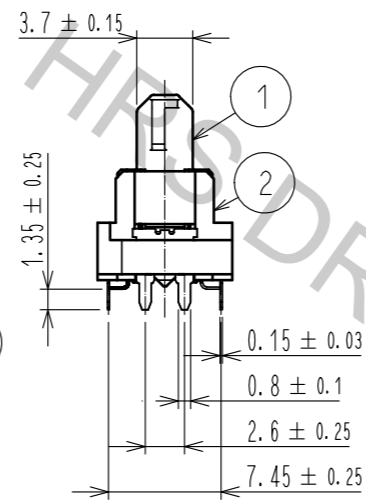
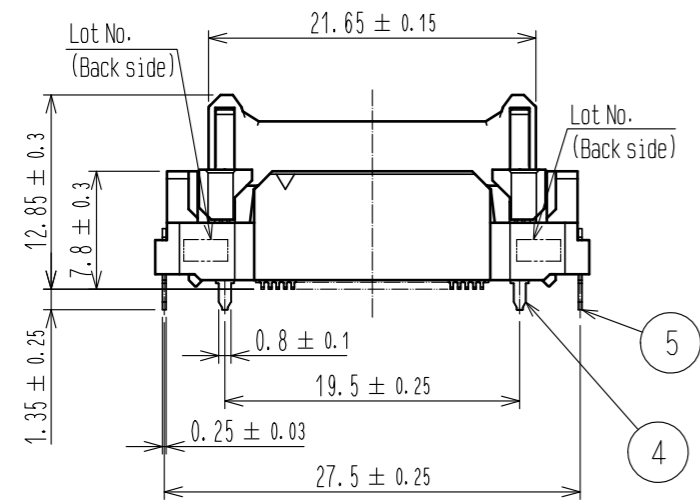
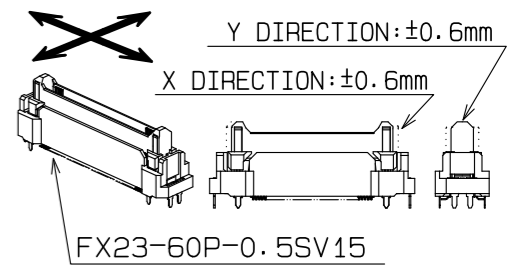
1 2 3 4 5 6 7 8



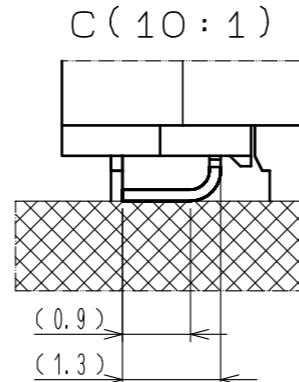
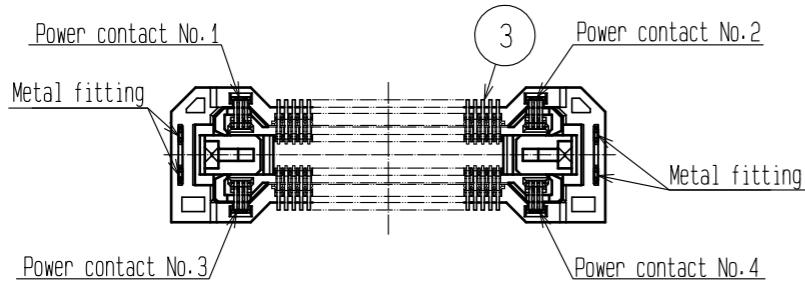
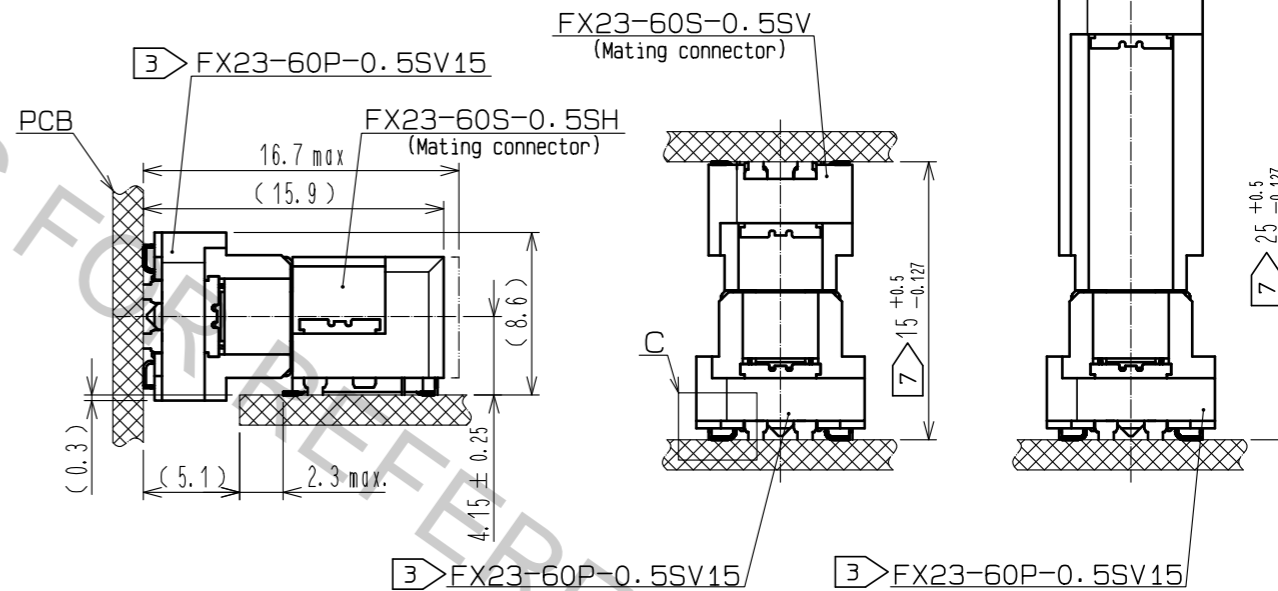
**RECOMMENDED LAND PATTERN DIMENSION OF PCB**  
(PCB THICKNESS: t=1.6mm)



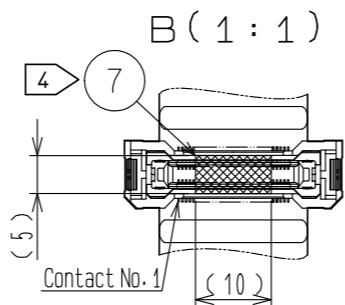
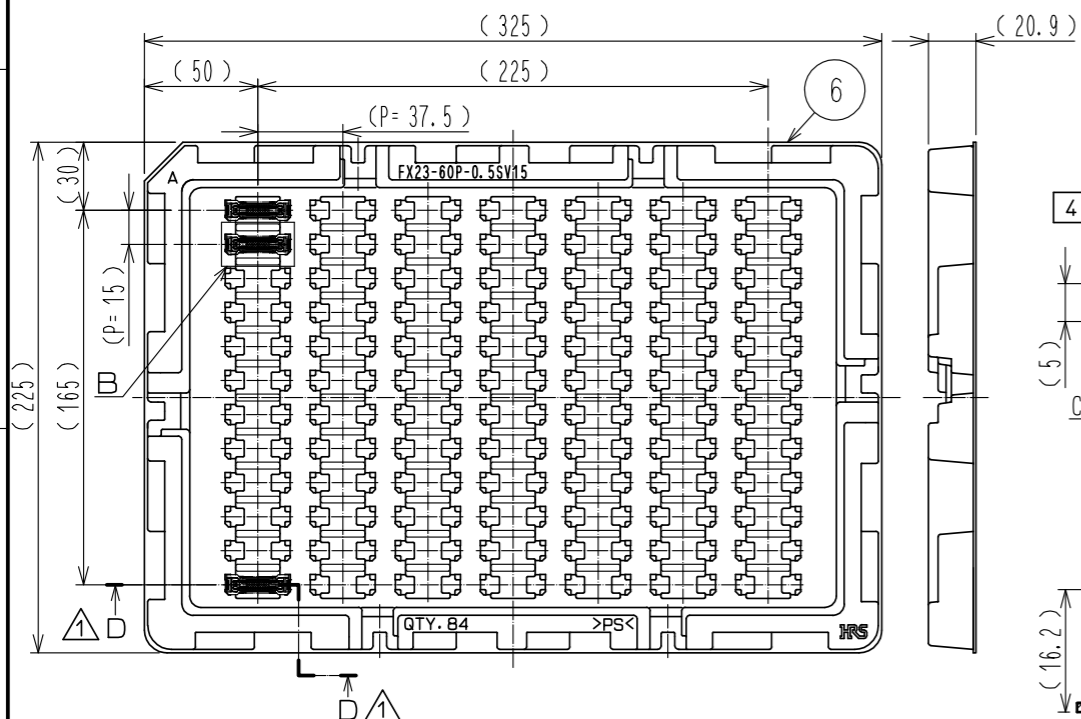
**FLOATING RANGE**



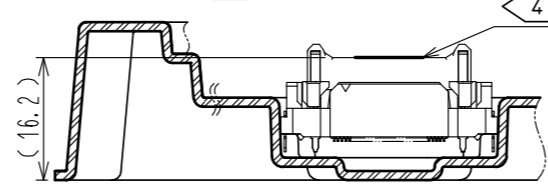
**PCB DISTANCE**  
(No scale)



**DRAWING FOR PACKING (No scale)**



**D-D (1:1)**



- NOTE 1 Lead CO-Planarity is 0.1mm MAX.  
 2 This is packaged in tray. (84pcs/tray)  
 3 Floating range of this connector is ±0.6mm MAX.  
 4 It shows the vacuum pickup area. Remove the mylar tape before mating connectors.  
 5 Blemish and hit mark can be occurred through out the manufacturing process which doesn't affect quality level.  
 6 The dimensions in parentheses are for references.  
 7 Please use the connectors within the specified PCB distance.

NO.	MATERIAL	FINISH	REMARKS	NO.	MATERIAL	FINISH	REMARKS
3	COPPER ALLOY		CONTACT AREA:GOLD 0.1 $\mu$ m LEAD AREA:GOLD 0.03 $\mu$ m UNDER PLATING:NICKEL 1.3 $\mu$ m	5	BRASS		LEAD AREA:TIN-PLATING 3 $\mu$ m UNDER PLATING:NICKEL 1 $\mu$ m
2	POLYAMIDE		BLACK UL94V-0	4	COPPER ALLOY		CONTACT AREA:GOLD 0.1 $\mu$ m LEAD AREA:TIN-PLATING 1 $\mu$ m UNDER PLATING:NICKEL 1.3 $\mu$ m
1	POLYAMIDE		BLACK UL94V-0				

UNITS	SCALE	COUNT	DESCRIPTION OF REVISIONS	DESIGNED	CHECKED	DATE
mm	2 : 1	4	DIS-F-00001099	TS.00NO	KN.SHIBUYA	16.02.17

APPROVED	DESIGNED	DRAWING NO.
HS. OKAWA	TS.00NO	EDC-353539-00-00
CHECKED	DESIGNED	PART NO.
KN.SHIBUYA	TS.00NO	FX23-60P-0.5SV15
DESIGNED	DRAWN	CODE NO.
TS.00NO	TS.00NO	CL573-3003-6-00

FORM HC0011-5-7 1 2 3 4 5 6 7 8