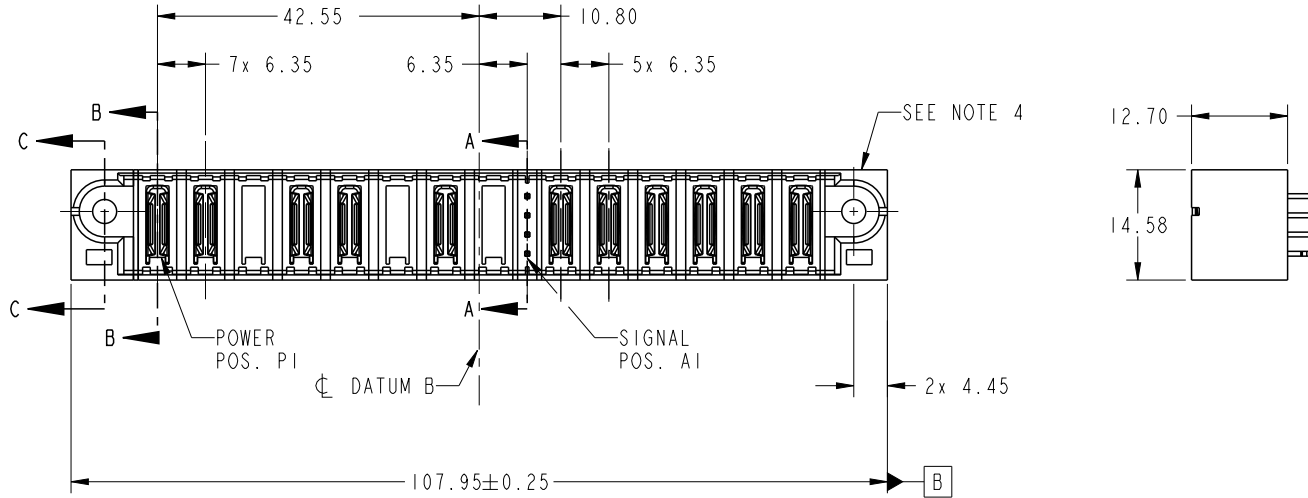


PRODUCT NO.	ROWS	POWER								SIGNAL		POWER						E2
		E1	P1	P2	P3	P4	P5	P6	P7	P8	1	P9	P10	P11	P12	P13	P14	
51710-066-- NOTE ③	DCBA		PA	PA	X	PA	PA	X	PA	X		PA	PA	PA	PA	PA		



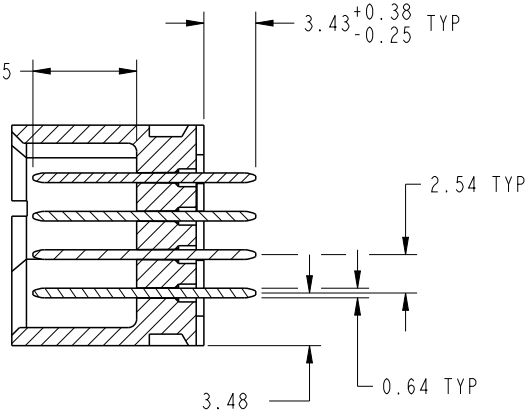
CODE	DIM "M" MATING LENGTH	CONTACT TYPE
PA	[N/A]	POWER
E	[6.86]	SIGNAL
HA	[N/A]	HOLD-DOWN
X		OMITTED

spec ref	See Notes		dr	De-Ming Lu	2014/05/19	projection 	MM 	size	A4	scale	1:1
tolerance std	TOLERANCES UNLESS OTHERWISE SPECIFIED		eng	De-Ming Lu	2014/06/09			ecn no	ELX-DG-17880-1		
See Notes			chr	-	-			product family	PwrBlade		rel level
surface	linear	0.X	±0.50		8P + 4S + 6P	www.fci.com	cat. no.	&model_name	Product - Customer Drw	sheet 1 of 4	rev B
		0.XX	±0.25								
	angular	0°	±2°								

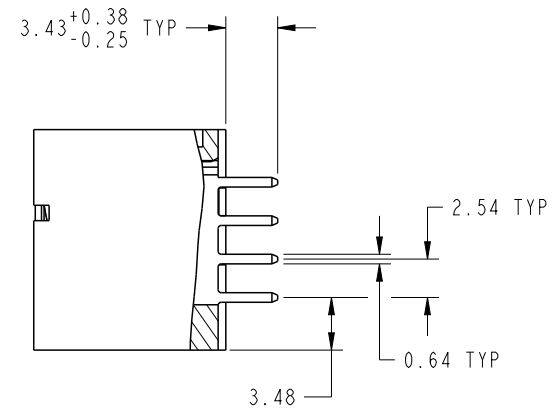
PRODUCT NUMBER

51710-066--
NOTE 3

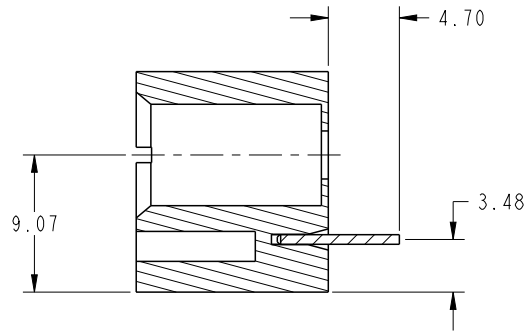
DIM "M" ±0.25



SECTION A-A
SCALE 2:1



SECTION B-B
SCALE 2:1



SECTION C-C
SCALE 2:1

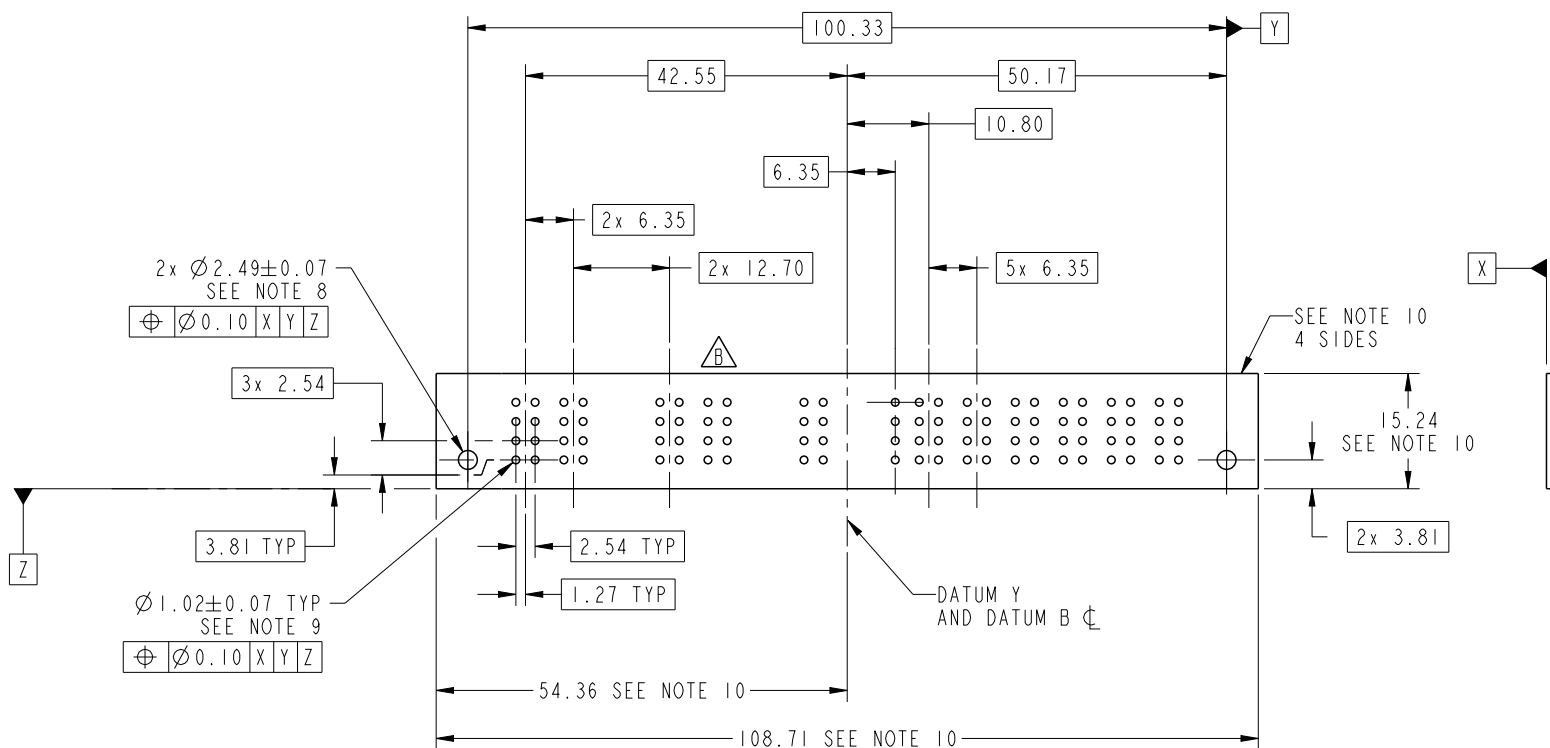
dr	De-Ming Lu	2014/05/19	projection 	MM 	size	A4	scale	1:1
eng	De-Ming Lu	2014/06/09			ecn no	ELX-DG-17880-1		
chr	-	-			product family	PwrBlade		rel level
appr	Pei-Ming Zheng	2014/06/09			title 8P + 4S + 6P VERTICAL SOLDER HEADER	dwg no 51710-066	rev B	
www.fci.com		cat. no.	&model_name	Product - Customer Drw			sheet 2 of 4	



Copyright FCI.

PRODUCT NUMBER

51710-066__
NOTE 3



RECOMMENDED PCB LAYOUT

dr	De-Ming Lu	2014/05/19	projection 	MM 	size	A4	scale	1:1	
eng	De-Ming Lu	2014/06/09			ecn no	ELX-DG-17880-1			
chr	-	-			rel level	Released			
appr	Pei-Ming Zheng	2014/06/09	product family	PwrBlade					
		title	8P + 4S + 6P VERTICAL SOLDER HEADER		dwg no	51710-066		rev	B
www.fci.com		cat. no.	&model_name	Product - Customer Drw		sheet 3 of 4			

PRODUCT NUMBER

51710-066__
NOTE 3

NOTES:

1. DIMENSIONS AND TOLERANCES ARE IN ACCORDANCE WITH ASME Y14.5M, 1994 UNLESS OTHERWISE SPECIFIED.

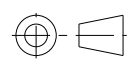
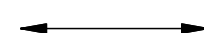

CONNECTOR NOTES:

- ② HOUSING MATERIAL: UL 94 V-0 GLASS FILLED HIGH-TEMP THERMOPLASTIC
POWER CONTACT MATERIAL: COPPER ALLOY
SIGNAL PIN MATERIAL: COPPER ALLOY
 - 3. SEE ITEM 1 & 2 IN PRINT 10064183 FOR PLATING SPEC OF 51710-066 AND 51710-066LF RESPECTIVELY.
 - ④ MANUFACTURER'S NAME, DATE CODE AND OPTIONAL P/N TO APPEAR ON THIS SURFACE. THE MARK CAN BE OMITTED IF THERE IS NOT ENOUGH SPACE ON THIS SURFACE.
 - 5. PRODUCT SPECIFICATION GS-12-149.
APPLICATION SPECIFICATION BUS-20-067.
 - 6. PACKAGED IN TRAYS.
- PCB NOTES:
- 7. ALL HOLE DIAMETERS ARE FINISHED HOLE SIZE.
 - 8. MOUNTING HOLES, WHERE APPLICABLE, ARE UNPLATED.

⑨ $\varnothing 1.151 \pm 0.025$ DRILLED HOLES PLATED WITH 0.008 MIN SnPb OR Sn OVER .001 [0.03] TO 0.08 Cu PLATING TO ACHIEVE $\varnothing 1.02 \pm 0.07$ HOLE.

⑩ CONNECTOR KEEP-OUT ZONE.

 II. A  SYMBOL WILL BE NEXT TO ANY DIMENSION, VIEW, OR NOTE WHICH HAS BEEN MODIFIED WITH THE CURRENT DRAWING REVISION.

dr	De-Ming Lu	2014/05/19	projection 	MM 	size	A4	scale	1:1
eng	De-Ming Lu	2014/06/09			ecn no	ELX-DG-17880-1		
chr	-	-			product family	PwrBlade	rel level	Released
appr	Pei-Ming Zheng	2014/06/09			rev	51710-066		B
		title			8P + 4S + 6P		VERTICAL SOLDER HEADER	
www.fci.com		cat. no.	&model_name	Product - Customer Drw		sheet 4 of 4		