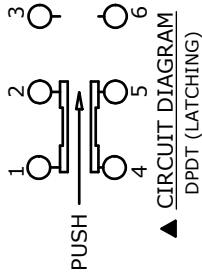
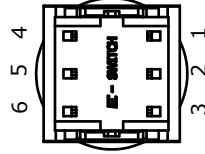
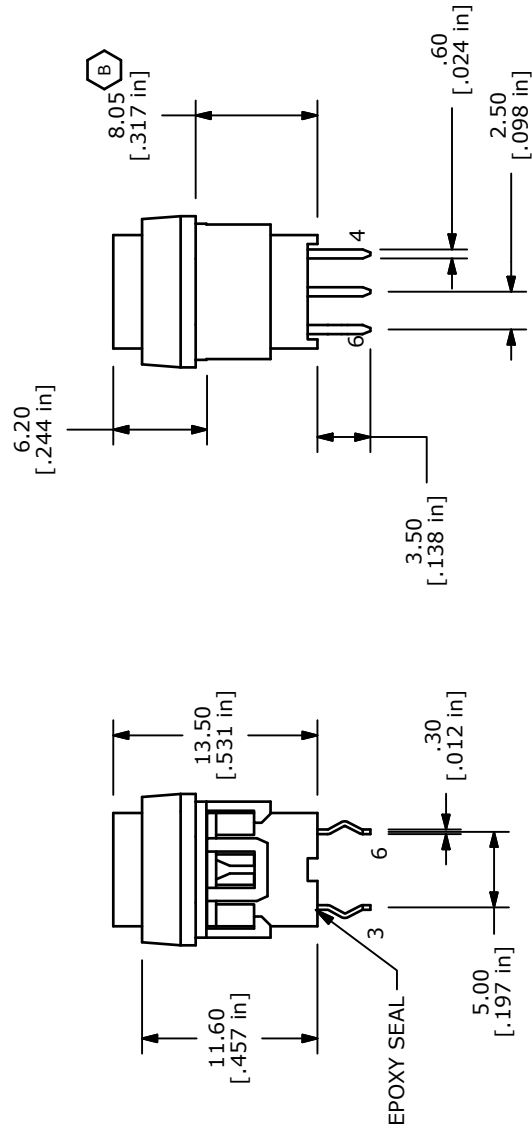
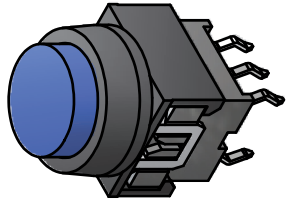
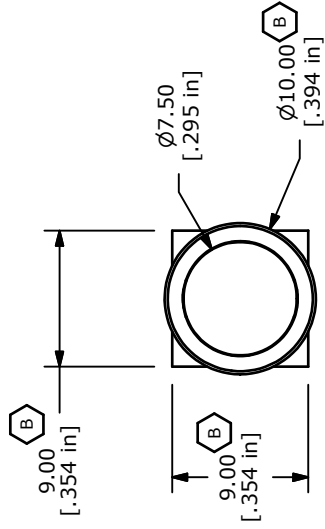


PCB LAYOUT



NOTES:

1. ALL DIMENSIONS IN MM [INCH]
2. GENERAL TOLERANCE: X.X=±0.4  
X.XX=±0.25
3. TERMINAL NUMBERS FOR REF ONLY
4. CONTACT RATING: CURRENT: 100mA  
VOLTAGE: 30 VDC
5. OPERATING LIFE: 50,000 MAKE-AND-BREAK CYCLES
6. INSULATION RESISTANCE: 500VDC, 100Mega-OHMS MIN.
7. OPERATING FORCE: 250gf ± 100 GRAMS
8. OPERATING TEMP.: -20°C to 70°C
- ▲ 9. TRAVEL: 1.00 ± 0.3mm LOCK  
1.50 ± 0.3mm FULL TRAVEL
10. CONTACT RESISTANCE: 50 Milli-OHMS MAX.
11. ▲ DENOTES CRITICAL PARAMETER.
12. 2002/95/EC (ROHS) COMPLIANT



TITLE LP4EE1PBBBN

B	19603	DRAWING UPDATE	1/19/11	BGL
A	19494	RELEASE FOR PRODUCTION	12/06/10	BMA

REV	PCR NO	DESCRIPTION	DATE	BY
-----	--------	-------------	------	----

THE INFORMATION CONTAINED IN THIS DOCUMENT IS PROPRIETARY TO E-SWITCH AND IS NOT TO BE COPIED OR TRANSFERRED

SCALE 2:1

DATE 12/6/2010

DR BMA

DWG B240041

REV B