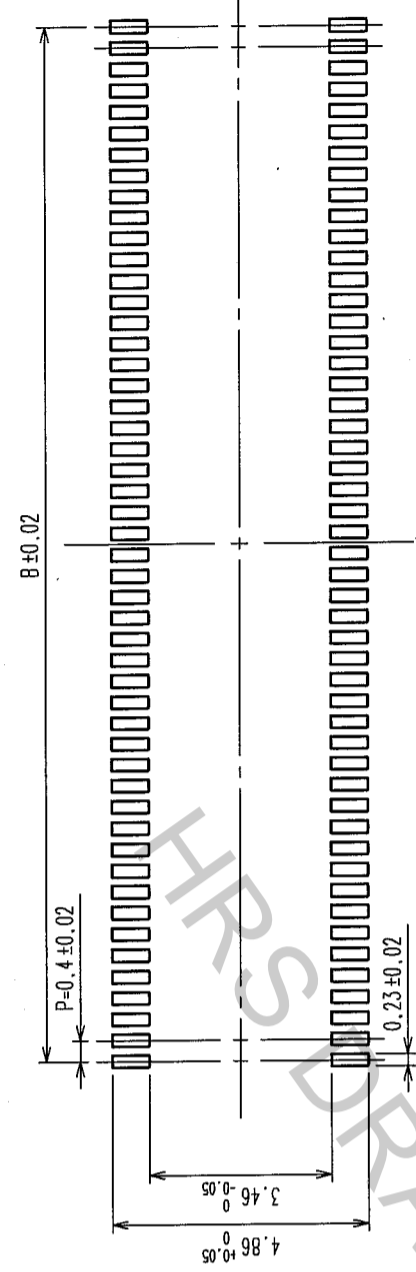
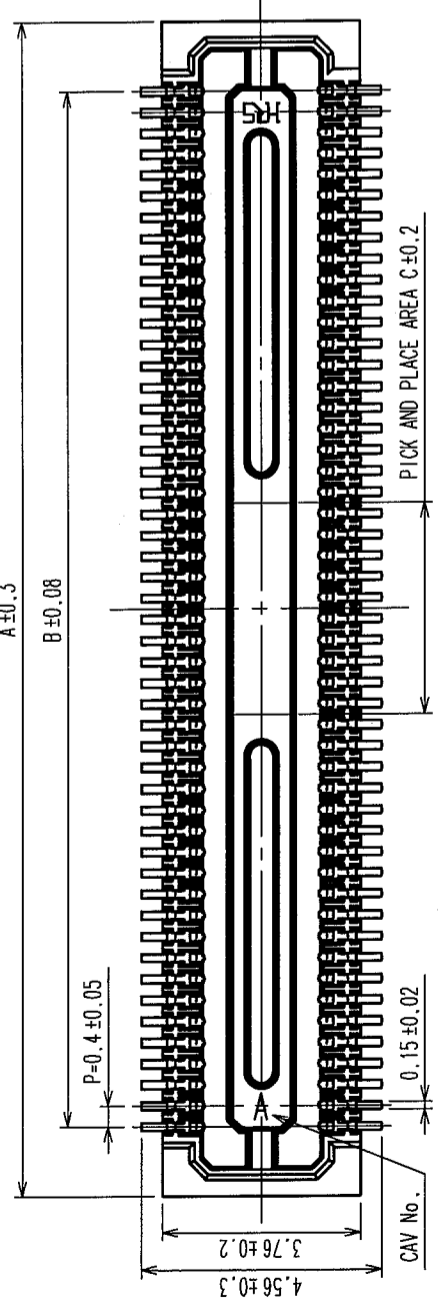
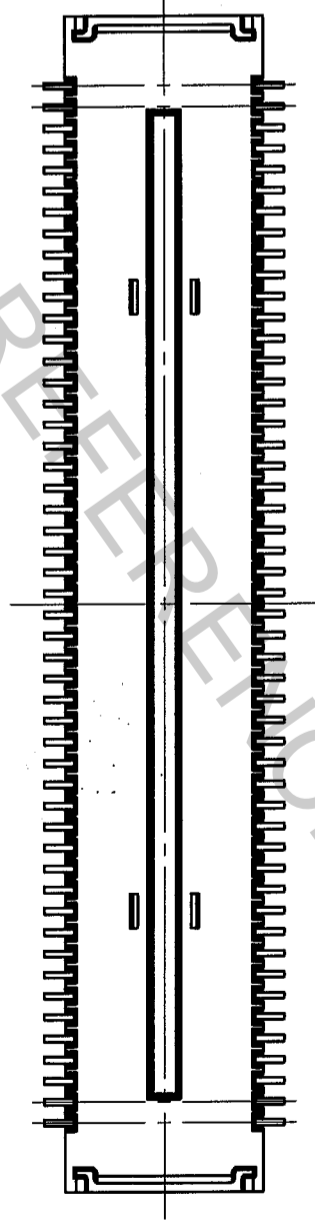
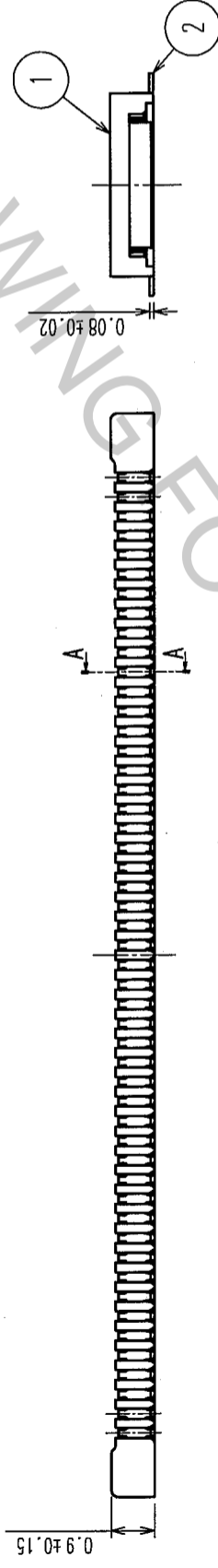


COUNT	DESCRIPTION OF REVISIONS	BY	CHKD	DATE	COUNT	DESCRIPTION OF REVISIONS	BY	CHKD	DATE
△					△				
△					△				
△					△				

RECOMMENDED PATTERN



RECOMMENDED SOLDER PASTE: THICKNESS 120 μm

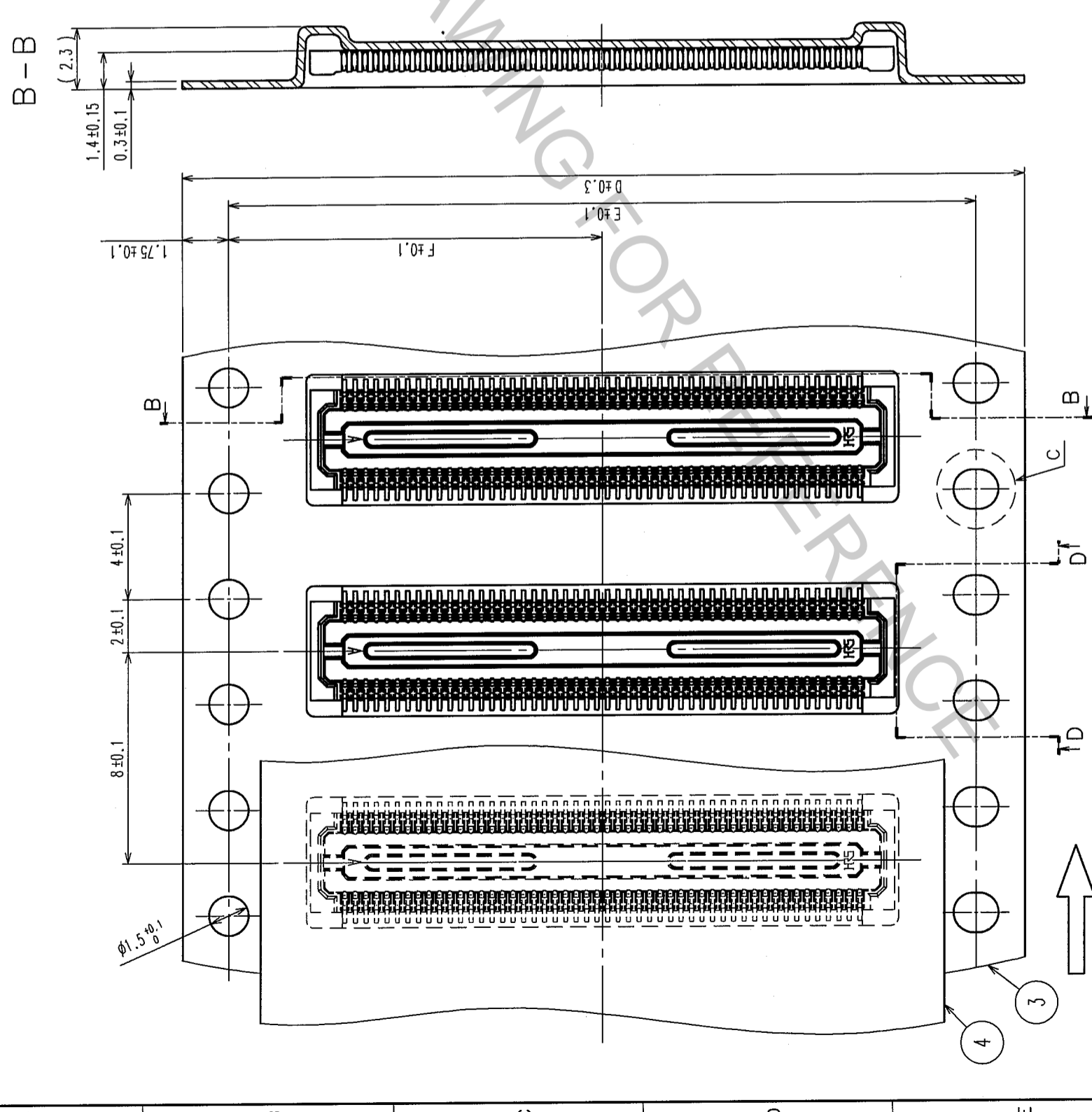


PART NO.	CODE NO.	A	B	C
DF30FC-80DS-0.4V(82)	CL684-1116-3-82	18.22	15.6	3.2
DF30FC-70DS-0.4V(82)	CL684-1115-0-82	16.22	13.6	2.8
DF30FC-60DS-0.4V(82)	CL684-1082-3-82	14.22	11.6	2.4
DF30FC-50DS-0.4V(82)	CL684-1114-8-82	12.22	9.6	2
DF30FC-40DS-0.4V(82)	CL684-1078-6-82	10.22	7.6	1.6
DF30FC-34DS-0.4V(82)	CL684-1113-5-82	9.02	6.4	1.36
DF30FC-30DS-0.4V(82)	CL684-1112-2-82	8.22	5.6	1.2
DF30FC-24DS-0.4V(82)	CL684-1111-0-82	7.02	4.4	1.2
DF30FC-22DS-0.4V(82)	CL684-1110-7-82	6.62	4.0	1.2
DF30FC-20DS-0.4V(82)	CL684-1109-8-82	6.22	3.6	1.2

- NOTE 1: ALL LEADS CO-PLANARITY SHALL BE 0.1 MAX.
 2. PER REEL : 1000 CONNECTORS.
 3. AT THE BEGINNING OF THE REEL, 100 MM AT MIN SHALL BE EMPTY POCKETS.
 AT THE END OF THE REEL, 160 MM AT MIN SHALL BE EMPTY POCKETS.
 4 NO CAVITY ON THE CONNECTORS LESS THAN 24 POS.
 5 CONTACT PLATING SPECIFICATIONS.
 CONTACT AREA : GOLD 0.05 μm MIN.
 SMT LEAD : GOLD 0.02 μm MIN.
 UNDERPLATING : NICKEL 1 μm MIN.
 (SURFACE : SEALING)

2	PHOSPHOR BRONZE	5	4	POLYESTER	CLEAR(COVER TAPE)
1	LCP	UL94V-0, BLACK	3	PS	CLEAR(EMBOSSED CARRIER TAPE)
NO.	MATERIAL	FINISH, REMARKS	NO.	MATERIAL	FINISH, REMARKS
CODE NO. (OLD)			DESIGNED	CHECKED	APPROVED
			RELEASED		
SCALE	FREE		DRAWN	T.NISHI	040825
UNITS	mm		DESIGNED	K. Nishikawa	04.08.25
			CHECKED	H. Senda	04.08.25
			APPROVED	J. Oga	04.08.25
			RELEASED		
DRAWING NO.	EDC3-303556-05	PART NO.	DF30FC-*DS-0.4V(82)		
CODE NO.		CODE NO.	CL684-***-*-82		

COUNT	DESCRIPTION OF REVISIONS	BY	CHKD	DATE	COUNT	DESCRIPTION OF REVISIONS	BY	CHKD	DATE
△					△				
△					△				
△					△				



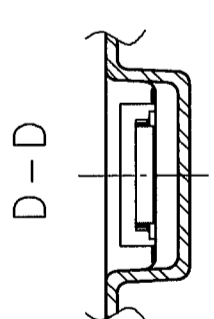
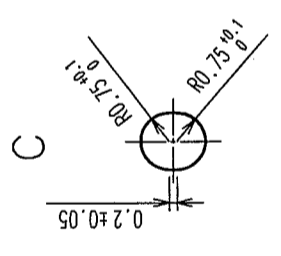
STYLE AND DIMENSION OF REEL (FREE)

DETAIL OF PART NO. LABEL

SUPPLIER	納入者	ヒロセ電機(株)
QUANTITY	納入数量	1000個
PART NO.	品名	DF30FC-DS-0.4V(82)
CODE NO.	国番	CL684-**-**-82
DATE OF MANUFACTURE	生産月日	年月日

PART NO.	D	E	F	G	H	
DF30FC-80DS-0.4V(82)	CL684-1116-3-82	32	28.4	14.2	32.4	38.4
DF30FC-70DS-0.4V(82)	CL684-1115-0-82	24	-	11.5	24.4	30.4
DF30FC-60DS-0.4V(82)	CL684-1082-3-82	24	-	11.5	24.4	30.4
DF30FC-50DS-0.4V(82)	CL684-1114-8-82	24	-	11.5	24.4	30.4
DF30FC-40DS-0.4V(82)	CL684-1078-6-82	24	-	11.5	24.4	30.4
DF30FC-34DS-0.4V(82)	CL684-1113-5-82	16	-	7.5	16.4	22.4
DF30FC-30DS-0.4V(82)	CL684-1112-2-82	16	-	7.5	16.4	22.4
DF30FC-24DS-0.4V(82)	CL684-1111-0-82	16	-	7.5	16.4	22.4
DF30FC-22DS-0.4V(82)	CL684-1110-7-82	16	-	7.5	16.4	22.4
DF30FC-20DS-0.4V(82)	CL684-1109-8-82	16	-	7.5	16.4	22.4

CODE NO. (OLD)		DESIGNED	<i>K. Nishida</i>	CHECKED	<i>K. Sasaki</i>	APPROVED	<i>J. Oka</i>	RELEASED	
DRAWING NO.	EDC3-303556-05	DRAWN	T. NISHI	DATE	04-08-25	DATE	04-08-25	DATE	04-08-25
SCALE	5 : 1	PART NO.	DF30FC-DS-0.4V(82)						
UNITS	mm	CODE NO.	CL684-**-**-82						



TO	