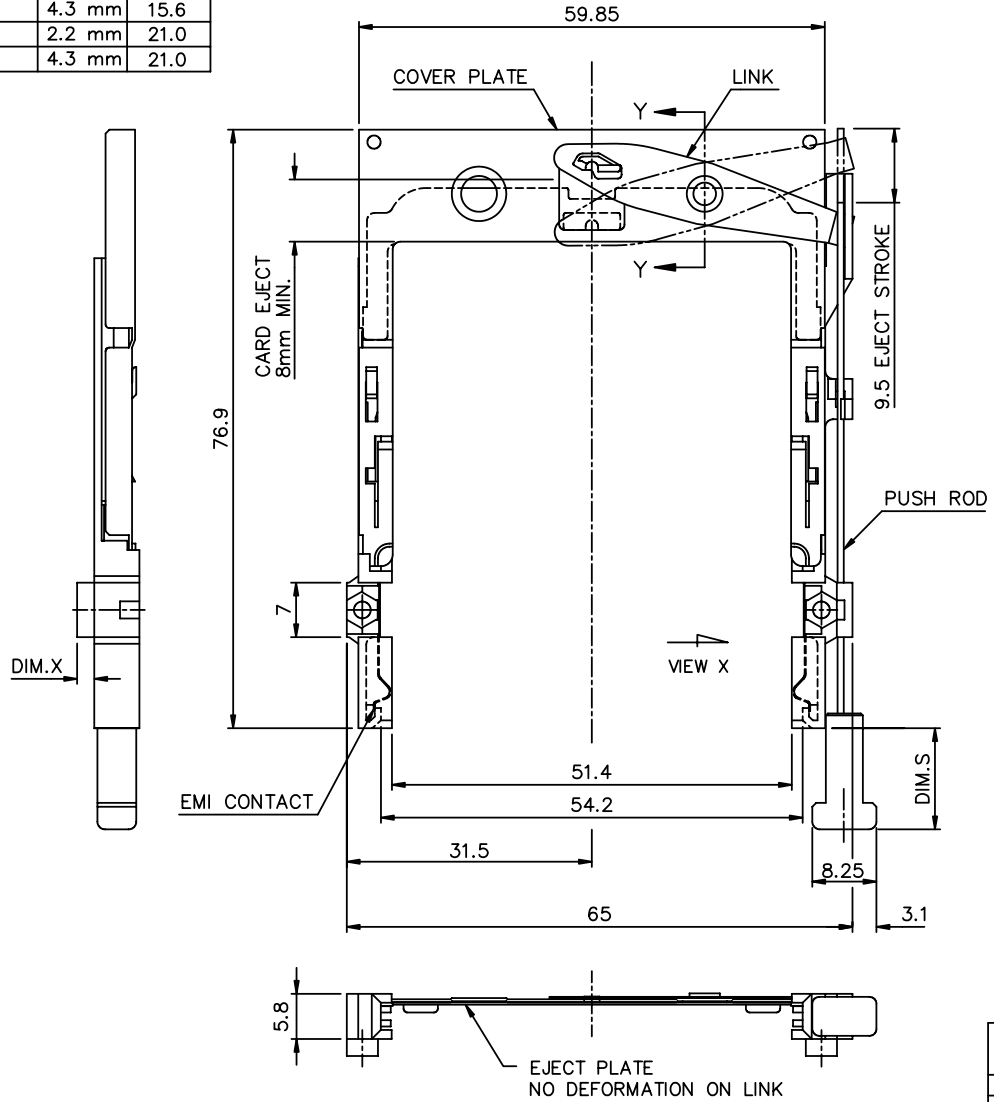


Tous droits strictement réservés. Reproduction ou communication à des tiers int
 sous quelque forme que ce soit, sans autorisation écrite du propriétaire.
 Property of c BERG ELECTRONICS.
 Droits de reproduction BERG ELECTRONICS by

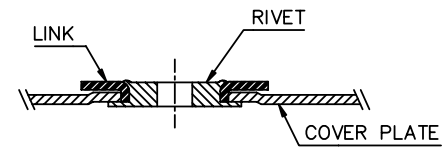
All rights strictly reserved. Reproduction or issue to third parties in any for
 without written authority from the proprietor.
 Property of c BERG ELECTRONICS.
 Copyright BERG ELECTRONICS by

PRODUCT NUMBER	DIM. X	DIM. S
91113-02CA	2.2 mm	13.0
91113-04CA	4.3 mm	13.0
91113-02DA	2.2 mm	15.6
91113-04DA	4.3 mm	15.6
91113-02FA	2.2 mm	21.0
91113-04FA	4.3 mm	21.0



PRESS FIT EMI CLIP INTO GUIDE SLOTS.

VIEW X



SEC. Y-Y

NOTE:

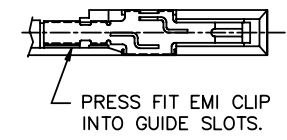
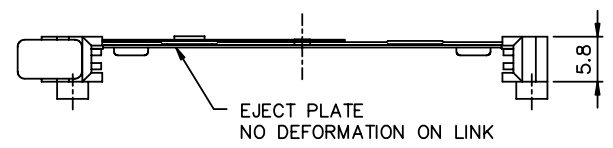
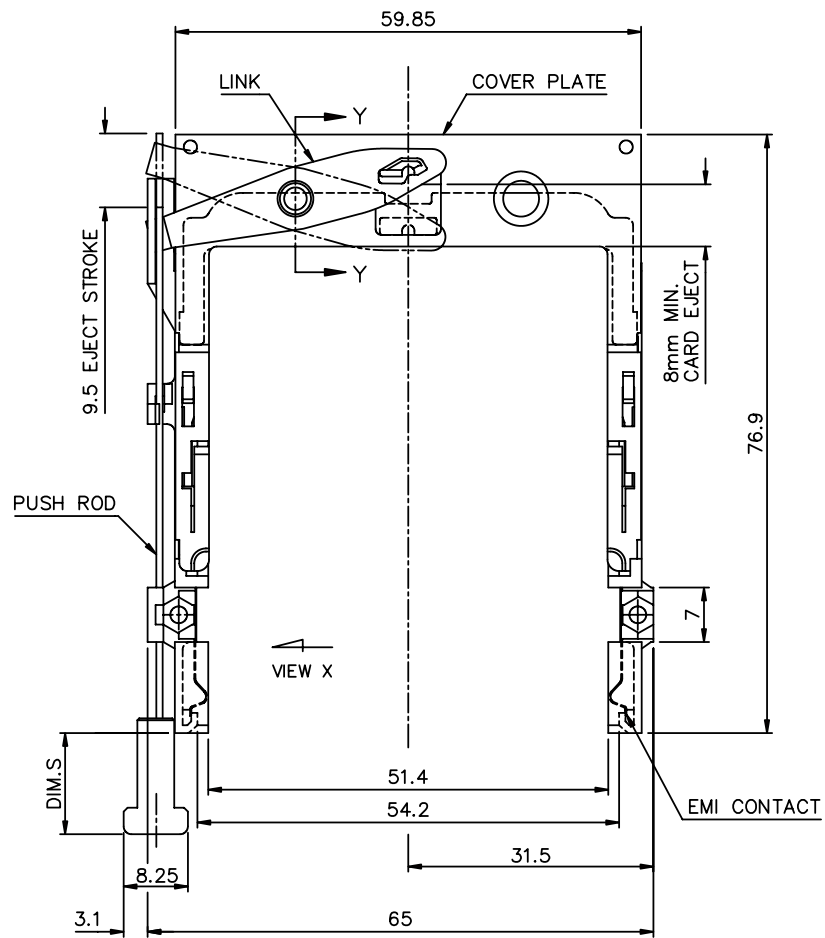
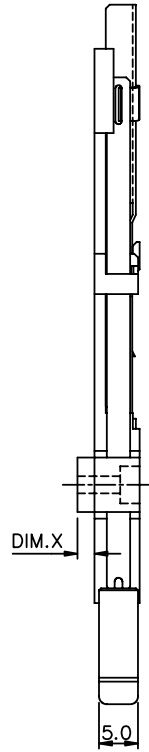
- EJECT PLATE TO MOVE ALONG INSIDE WALL OF COVER PLATE SMOOTHLY AFTER ASSEMBLING WITH HEADER.
- MATERIAL :
 PLASTIC GUIDES : POLYPHTHARAMIDE UL94V-0 BLACK
 COVER PLATE : STAINLESS STEEL
 EMI CONTACT : PHOSPHOR BRONZE
- FINISH :
 EMI CONTACT CONTACT AREA 0.5 mm Au.
 UNDERPLATING 1.0 mm Ni.

mat'l code		tolerance unless otherwise specified		CUSTOMER COPY	 www.fclconnect.com
rev.	ecn no.	dr	date	linear	
A	T50094	W L	04/06/95	projection	±0.30
B	T20234	W L	07/25/02	angles	± 2°
C	N06-0034	M Z	02/13/06	dr WENDY CHEN	02/13/95
				enrg JOSEPH HSIA	02/13/95
				chr JOSEPH HSIA	02/13/95
				appd D K WANG	02/13/95
sheet revision		C	C	unit	product family
index	sheet	1	2	mm/inch	PCMCIA
				scale	code
				1.5:1	91113
				size	dwg no.
				A3	1 OF 2

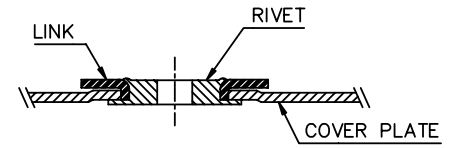
Tous droits strictement réservés. Reproduction ou communication sans autorisation écrite du propriétaire.
 Property of © BERG ELECTRONICS. Copyright BERG ELECTRONICS by

All rights strictly reserved. Reproduction or issue to third parties in any form without written authority from the proprietor.
 Property of © BERG ELECTRONICS. Copyright BERG ELECTRONICS by

PRODUCT NUMBER	DIM. X	DIM. S
91113-12CA	2.2 mm	13.0
91113-12CALF	2.2 mm	13.0
91113-14CA	4.3 mm	13.0
91113-12DA	2.2 mm	15.6
91113-14DA	4.3 mm	15.6
91113-12FA	2.2 mm	21.0
91113-14FA	4.3 mm	21.0



VIEW X



SEC. Y-Y

- NOTE:
- EJECT PLATE TO MOVE ALONG INSIDE WALL OF COVER PLATE SMOOTHLY AFTER ASSEMBLING WITH HEADER.
 - MATERIAL :
 PLASTIC GUIDES : POLYPHTHARAMIDE UL94V-0 BLACK
 COVER PLATE : STAINLESS STEEL
 EMI CONTACT : PHOSPHOR BRONZE
 - FINISH :
 EMI CONTACT
 CONTACT AREA 0.5 mm Au.
 UNDERPLATING 1.0 mm Ni.

mat'l code		tolerance unless otherwise specified		CUSTOMER COPY	 www.fclconnect.com		
rev.	ecn no.	dr	date	linear		±0.30	
C				angles	± 2°		
				dr WENDY CHEN	02/13/95	unit	title NARROW BODY FRONT EJECT TYPE 1/2/3 MECHANISM ASS'Y product family PCMCIA code size dwg no. 91113 sheet 2 of
				enfr JOSEPH HSIA	02/13/95	mm/inch	
				chr JOSEPH HSIA	02/13/95	scale	
				appd D K WANG	02/13/95	1.5:1	
sheet	revision						
index	sheet						