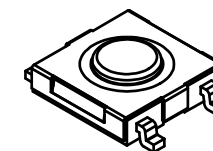
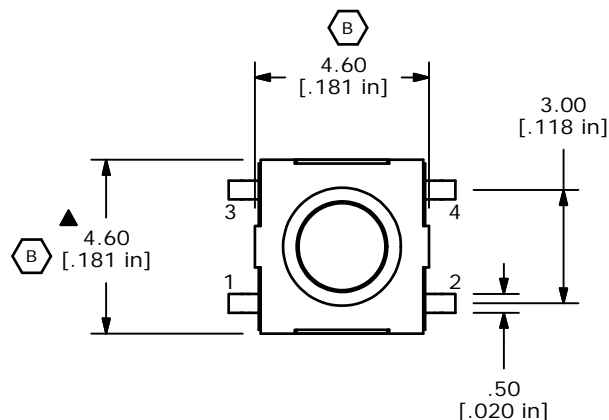
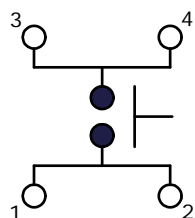


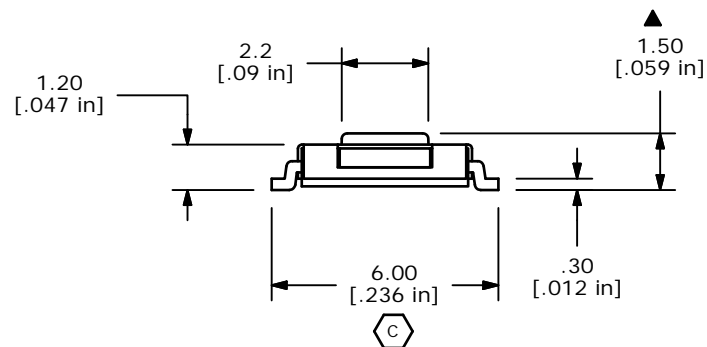
P.C.B MOUNTING



ISOMETRIC



CIRCUIT: SPST



ACTUATOR COLOR:  
BROWN



NOTES:

1. ALL DIMENSIONS IN MM [INCH]
2. GENERAL TOLERANCE: X.X=±0.4  
X.XX=±0.25
3. TERMINAL NUMBERS FOR REF ONLY.
4. TRAVEL: 0.25mm +0.2/-0.1
5. RATING: 50mA, 12VDC
6. OPERATING FORCE: 100 ± 50 gf
7. CONTACT RESISTANCE: 50 Milli-OHM MAX.
8. ▲ DENOTES CRITICAL PARAMETER
- ▲9. PACKAGING: TAPE AND REEL 4,000 PCS PER
- ▲10. 2002/95/EC (ROHS) COMPLIANT

C	19530	CORRECT DIMENSION was 5.8mm	12/15/10	BGL
B	19452	CORRECT DIMS	11/18/10	BMA
A	18211	RELEASE FOR PRODUCTION	8/19/08	BLR
P1	n/a	CREATE PRELIMINARY DRAWING	8/6/08	BLR
REV	PCR NO	DESCRIPTION	DATE	BY

THE INFORMATION CONTAINED IN THIS DOCUMENT IS PROPRIETARY TO E-SWITCH AND IS NOT TO BE COPIED OR TRANSFERRED



TITLE TL3313AF100QG

SCALE	DATE	DR	DWG	REV
4:1	8/19/2008	BLR	P010440	C