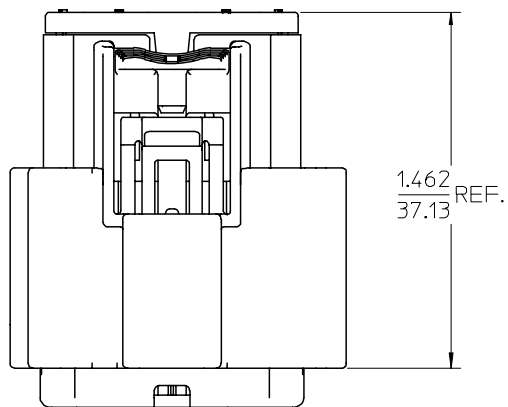
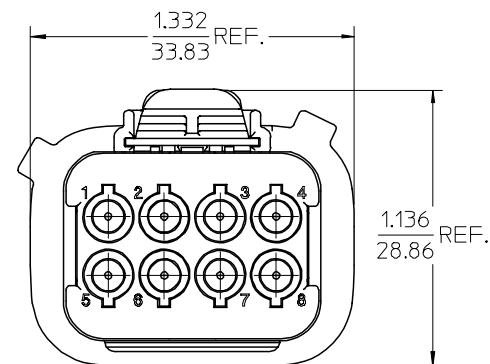
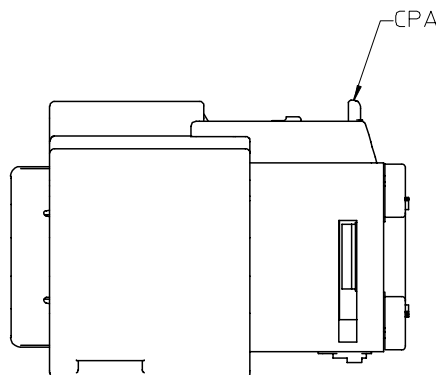
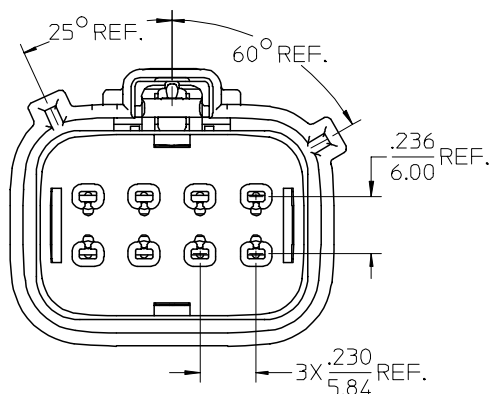
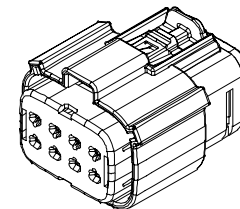


10 9 8 7 6 5 4 3 2 1



19418-0064	16-14	NO
19418-0065	22-18	
19418-0061	16-14	YES
19418-0062	22-18	
MATERIAL NUMBER	UL WIRE AWG	CPA



NOTES:

1. MATERIALS:  
HOUSING: POLYESTER (PBT), GLASS FILLED, UL94 V-0,  
COLOR: BROWN.  
SEALS: SILICONE RUBBER.
2. PRODUCT SPECIFICATION: PS-19417-001.
3. PACKAGING SPECIFICATION: PK-19418-001.
4. MATES WITH: 19419 SERIES PLUG ASSEMBLIES.
5. USE CONNECTOR WITH FEMALE CRIMP TERMINAL SERIES 19420.

REVISED EC NO: A	2005/09/07 DRW:JPAM/CK	2005/09/12 CHKD:JPAM/CK	2005/09/12 APPR:JPAM/CK	QUALITY SYMBOLS ◀=0 ▽=0	GENERAL TOLERANCES (UNLESS SPECIFIED)		DIMENSION STYLE IN/MM		SCALE 2:1	DESIGN UNITS INCH	THIRD ANGLE PROJECTION		
					mm	INCH	DRAWN BY JPAW/ICKI		DATE 09/01/05	TITLE 8 WAY RECEPTACLE ASSEMBLY, KEY C POLARIZATION			
					4 PLACES	± ---	± ---	CHECKED BY JPAW/ICKI		DATE 09/02/05	MOLEX INCORPORATED		
					3 PLACES	± ---	± .015	APPROVED BY RDEROSS		DATE 09/06/05	DOCUMENT NO. SD-19418-012		
				2 PLACES	± 0.38	± ---	MATERIAL NO. SEE CHART		SHEET NO. 1 OF 1		THIS DRAWING CONTAINS INFORMATION THAT IS PROPRIETARY TO MOLEX INCORPORATED AND SHOULD NOT BE USED WITHOUT WRITTEN PERMISSION		
				1 PLACE	± ---	± ---	ANGULAR ± 1 °						
DRAFT WHERE APPLICABLE MUST REMAIN WITHIN DIMENSIONS													

9 8 7 6 5 4 3 2 1