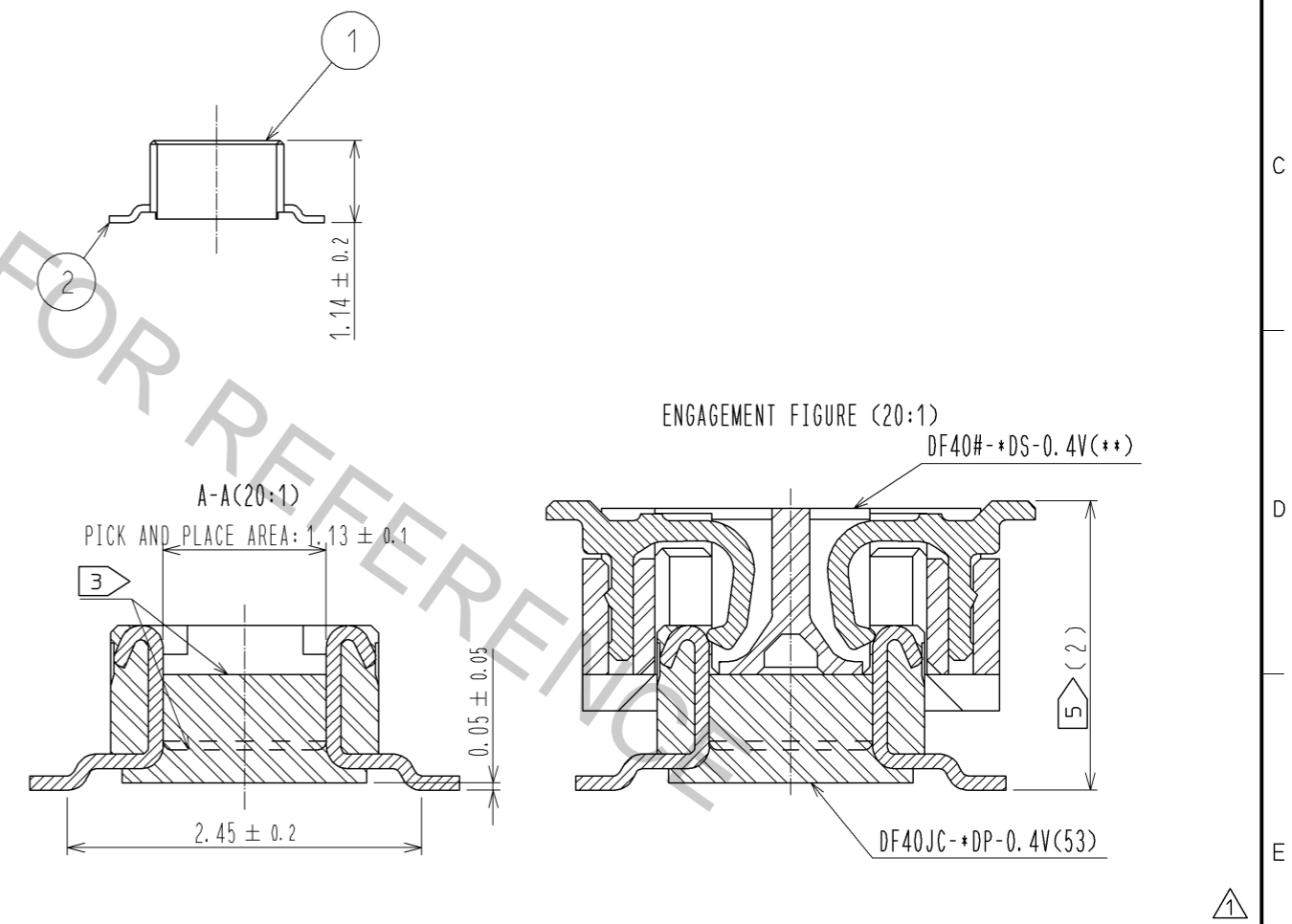


- NOTES)
1. ALL LEADS CO-PLANARITY SHALL BE 0.1mm MAX.
 2. EACH ONE CONTACT AT 4 CORNERS SHALL BE USED AS METAL HOLD DOWN.
 3. FROM 10PIN TO 34PIN, THE CONNECTOR PICK AND PLACE POSITION IS LITTLE HIGHER THAN OTHER PINCOUNTS SINCE ALL THE BOTTOM PART OF CONNECTOR HOUSING IS CONVEXED.
 4. HRS MARK AND CAV NO. ARE INDICATED IN APPROXIMAL POSITION SHOWN.
 5. THE DIMENSIONS INDICATED IN THE FIGURE IS REFERENCE.
 AN ELECTRIC PERFORMANCE IS GUARANTEED BY BEING MAINTAINED AS SHOWN IN THE FIGURE.

PART NO.	CL CODE	B	C	D
DF40JC-10DP-0.4V(53)	CL684-4067-6-53	3.52	1.6	1.0
DF40JC-12DP-0.4V(53)	—	3.92	2.0	1.0
DF40JC-20DP-0.4V(53)	CL684-4068-9-53	5.52	3.6	1.0
DF40JC-24DP-0.4V(53)	CL684-4069-1-53	6.32	4.4	1.2
DF40JC-30DP-0.4V(53)	CL684-4070-0-53	7.52	5.6	1.5
DF40JC-34DP-0.4V(53)	CL684-4164-2-53	8.32	6.4	2.3
DF40JC-40DP-0.4V(53)	CL684-4071-3-53	9.52	7.6	3.2
DF40JC-44DP-0.4V(53)	CL684-4153-6-53	10.32	8.4	3.2
DF40JC-50DP-0.4V(53)	CL684-4072-6-53	11.52	9.6	3.2
DF40JC-60DP-0.4V(53)	CL684-4073-9-53	13.52	11.6	3.2
DF40JC-70DP-0.4V(53)	—	15.52	13.6	3.2
DF40JC-80DP-0.4V(53)	CL684-4074-1-53	17.52	15.6	3.2
DF40JC-90DP-0.4V(53)	—	19.52	17.6	3.2
DF40JC-100DP-0.4V(53)	CL684-4075-4-53	21.52	19.6	3.2



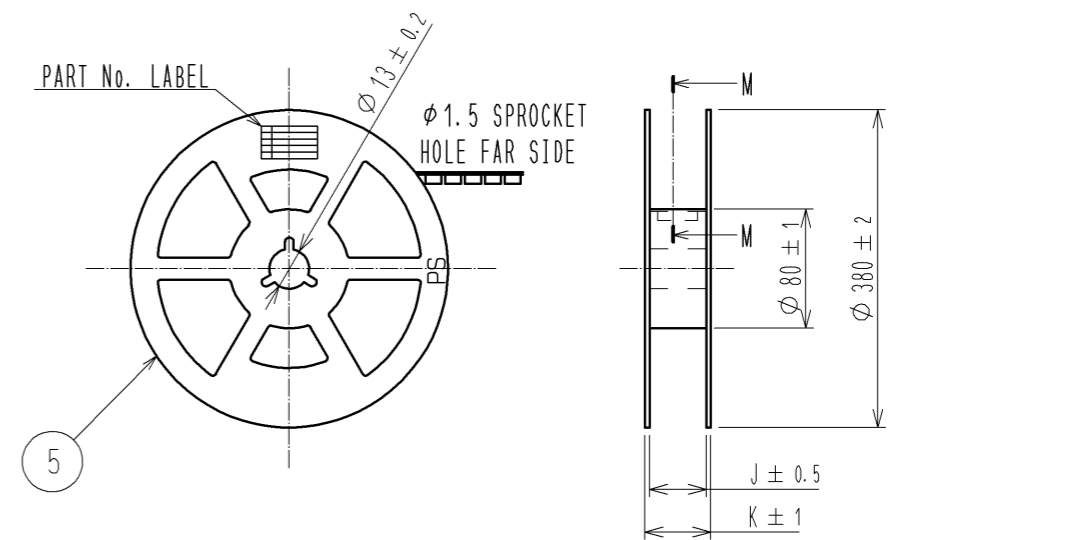
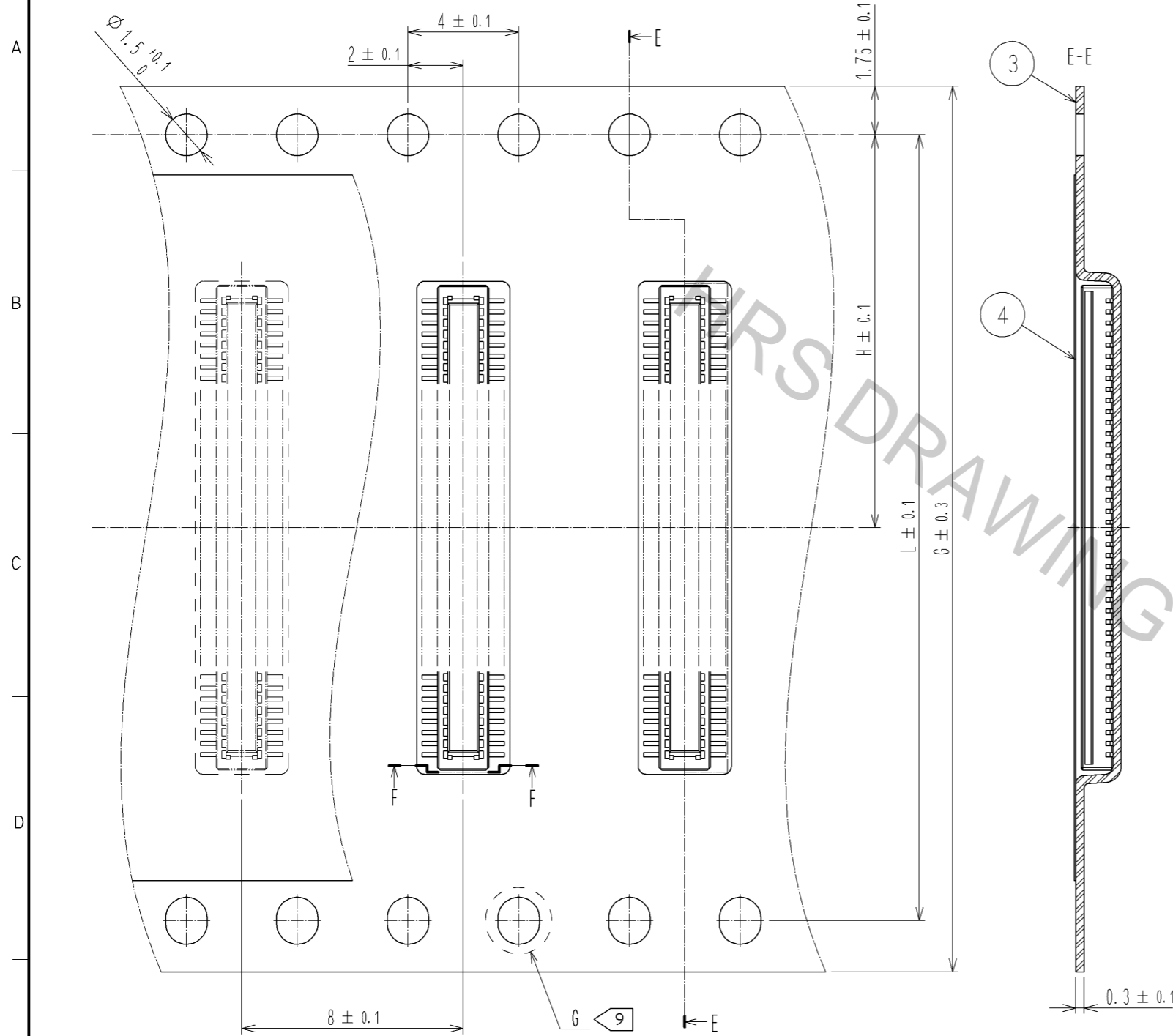
NO.	MATERIAL	FINISH . REMARKS	NO.	MATERIAL	FINISH . REMARKS
2	PHOSPHOR BRONZE	CONTACT AREA: PdNi0.76 μm+AuPO.05 μm MIN SMT LEAD: PdNi0.76 μm+AuPO.05 μm MIN UNDERPLATING: NICKEL 2 μm MIN	6	PS	CLEAR. REINFORCEMENT COLLAR
			5	PS	BLACK. PLASTIC REEL
			4	POLYESTER	CLEAR. COVER TAPE
1	LCP	BLACK, UL94V-0	3	PS	CLEAR. EMBOSSED CARRIER TAPE

UNITS	SCALE	COUNT	DESCRIPTION OF REVISIONS	DESIGNED	CHECKED	DATE
mm	10 : 1	6	DIS-H-007423	YN. SAKAMOTO	YH. MICHIDA	12. 11. 29

APPROVED	DATE	DRAWING NO.
KH. IKEDA	11. 08. 01	EDC3-315630-53
CHECED	DATE	PART NO.
TS. MIYAZAKI	11. 08. 01	DF40JC-*DP-0.4V(53)
DESIGNED	DATE	CODE NO.
YH. MICHIDA	11. 08. 01	CL684
DRAWN	DATE	
YH. MICHIDA	11. 08. 01	

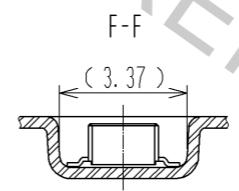
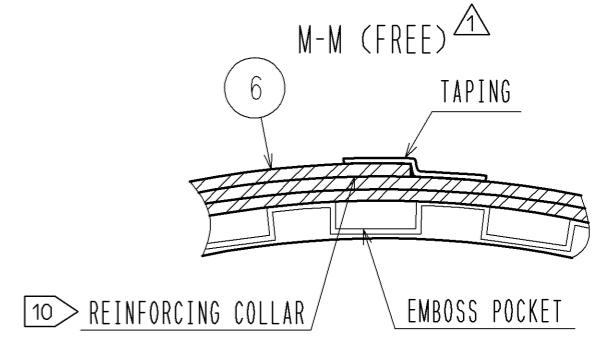
SCALE(FREE)

STYLE AND DIMENSION OF REEL (FREE SIZE)

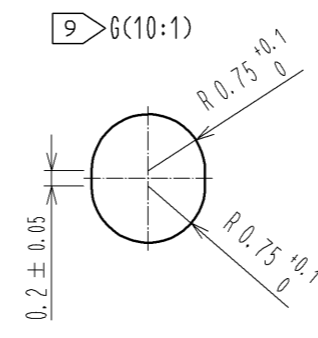
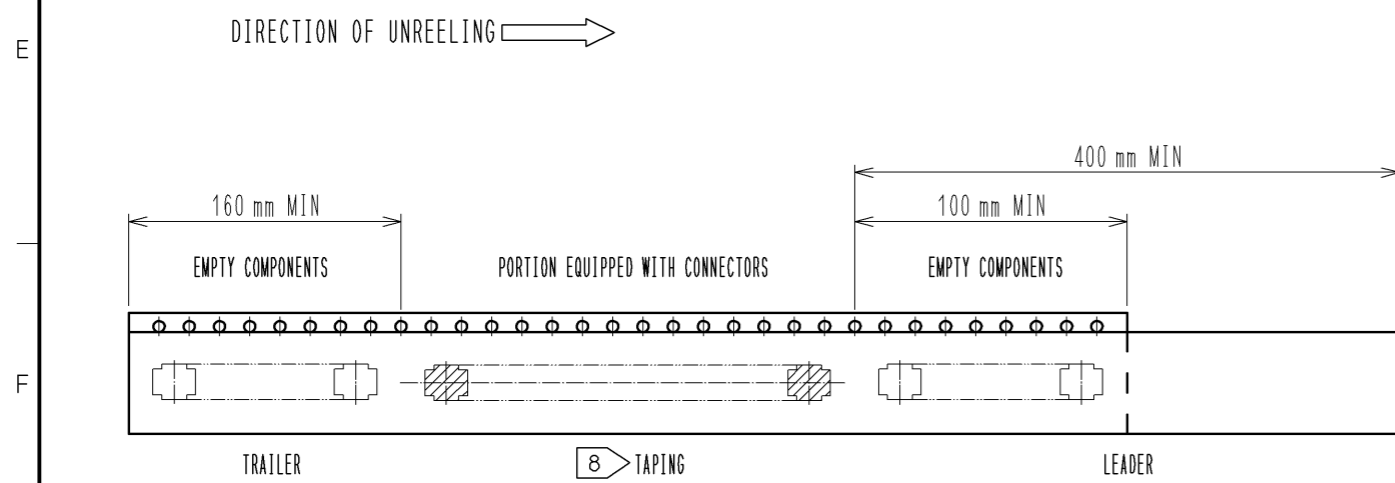


DETAIL OF PART No. LABEL

SUPPLIER	
QUANTITY	
PART NO.	
CODE NO.	
DATE OF MANUFACTURED	
生産月日	年 月 日
図番	CL684-****-*-53
品名	DF40JC- <i>DP</i> -0.4V(53)
納入数量	200個
納入者	ヒロセ電機(株)



PART NO.	G	H	J	K	L
DF40JC-10DP-0.4V(53)	12	5.5	13.5	17.5	—
DF40JC-12DP-0.4V(53)	12	5.5	13.5	17.5	—
DF40JC-20DP-0.4V(53)	16	7.5	17.5	21.5	—
DF40JC-24DP-0.4V(53)	16	7.5	17.5	21.5	—
DF40JC-30DP-0.4V(53)	16	7.5	17.5	21.5	—
DF40JC-34DP-0.4V(53)	24	11.5	25.5	29.5	—
DF40JC-40DP-0.4V(53)	24	11.5	25.5	29.5	—
DF40JC-44DP-0.4V(53)	24	11.5	25.5	29.5	—
DF40JC-50DP-0.4V(53)	24	11.5	25.5	29.5	—
DF40JC-60DP-0.4V(53)	24	11.5	25.5	29.5	—
DF40JC-70DP-0.4V(53)	32	14.2	33.5	37.5	28.4
DF40JC-80DP-0.4V(53)	32	14.2	33.5	37.5	28.4
DF40JC-90DP-0.4V(53)	44	20.2	45.5	49.5	40.4
DF40JC-100DP-0.4V(53)	44	20.2	45.5	49.5	40.4



- NOTES) 6. PER REEL 200 CONNECTORS.
 7. THE DIMENSIONS IN PARENTHESES ARE FOR REFERENCE.
 8 REFER TO JIS C 0806(IEC 60286-3)
 (PACKING OF COMPONENTS FOR AUTOMATIC HANDLING)
 9 10 TO 60 POSITIONS EMBOSSED CARRIER TAPE HAS THE SPROCKET HOLE ON ONE SIDES.
 10 AFTER PACKAGING, ROLL 2 METERS OF THE REINFORCEMENT COLLAR TO OUTER CIRCUMFERENCE OF TAPE AND REEL POCKET, AND TAPE DOWN AT THE END THE COLLAR.

HRS	DRAWING NO.	EDC3-315630-53
	PART NO.	DF40JC- <i>DP</i> -0.4V(53)
	CODE NO.	CL684
		1/2