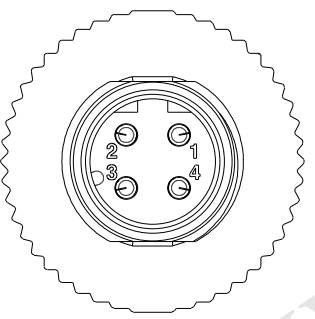
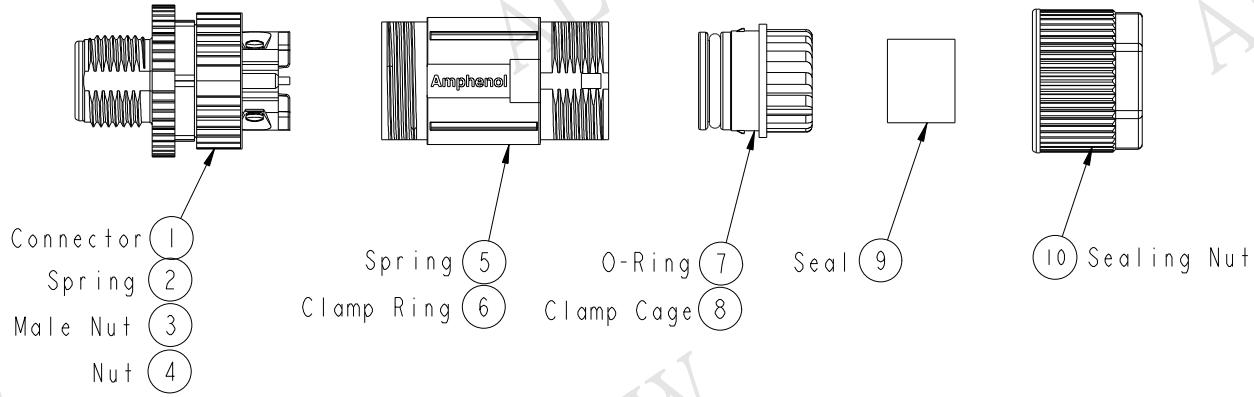
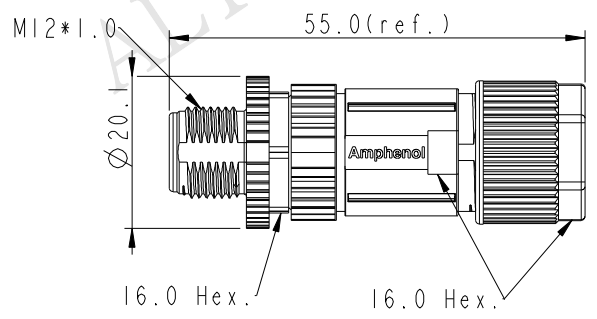


REV.	ECN NO.	DATE	SIGN	DESCRIPTION
A	Initial Release	2015/10/13	Mila	Change Rev.01 To Rev.A

ALTW
CONFIDENTIAL
2015-10-13
R&D DEPT.



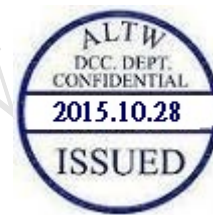
Pin Assignments
Front View



ALTW
DCC. DEPT.
CONFIDENTIAL
2015.10.28
ISSUED

UNIT:mm TOLERANCE ±0.5mm	TITLE M12 D-Code Shielded Assy 4PIN M Conn.M Pin		Amphenol LTW 安費諾亮泰企業股份有限公司		ITEM NO MSDS-04BMMB-SL7001	DRAWN BY Mila	DATE 2015-10-13
	SCALE 1:1	SIZE A4			SHEET 1	OF 2	DWG NO MSDS-04BMMB-SL7001
	REV. A	WC-REV. A.3	QC: Inspection item		CUSTOMER ALTW	APPROVED BY Jerry	DATE 2015-10-13

THIS DOCUMENT IS SUBJECT TO CHANGE WITHOUT NOTICE. IT IS CONFIDENTIAL AND A PROPERTY OF Amphenol LTW. DISCLOSURE TO THIRD PARTY HAS TO BE AUTHORIZED BY Amphenol LTW.



M SDS - 04 B M M B - S L 7 001

SDS: D-Code Shielded

04: 4Pin

B: Without S/R(無網尾)

M: Male Connector(公座)

M: Male Pin(公Pin)

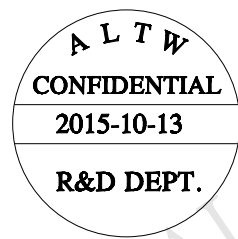
001: Without Cable

7: IP67(防水等級67)

L: Straight(180°)

S: Screw(螺紋式)

B: Screw in Type(組裝式)



Note:

- * CC Important Dimension To Check.
- * Waterproof Rate: IP67
- * Housing: Nylon, Black
- * Clamp Cage: Nylon, Black
- * Male Pin: Copper Alloy, Gold Plated
- * Male Nut: Zinc Alloy, Nickel Plated
- * Nut: Zinc Alloy, Nickel Plated
- * O-Ring: Silicon, Gray
- * Clamp Ring: Zinc Alloy, Nickel Plated
- * Sealing Nut: Zinc Alloy, Nickel Plated
- * Seal: Silicon, Gray
- * Seal For Cable OD: $\varnothing 4.0\text{mm} \sim \varnothing 7.5\text{mm}$
- * Screws for Wire connection recommended tightening torque: 0.61~0.84 kgf.cm / 0.059~0.082 N.m
- * Applicable Wire gauge (Stranded wire cross section) 0.14mm² (26AWG) ~ 0.82mm² (18AWG)
- * Mating Recommended tightening torque: 3~4 kgf.cm / 0.29~0.39 N.m
- * Sealing-Nut Recommended tightening torque: 4~6 kgf.cm / 0.39~0.59 N.m
- * Detailed applicable wire specifications may vary depending on the actual wire construction.

UNIT:mm TOLERANCE $\pm 0.5\text{mm}$	TITLE M12 D-Code Shielded Assy 4PIN M Conn.M Pin		<h2 style="text-align: center;">Amphenol LTW</h2> <p style="text-align: center;">安費諾亮泰企業股份有限公司</p>	ITEM NO MSDS-04BMMB-SL7001	DRAWN BY Mila	DATE 2015-10-13		
	SCALE 1:1	SIZE A4		SHEET 2	OF 2	DWG NO MSDS-04BMMB-SL7001	CHECKED BY Cary	DATE 2015-10-13
	REV. A	WC-REV. A.3		CC : Inspection item		CUSTOMER ALTW	APPROVED BY Jerry	DATE 2015-10-13