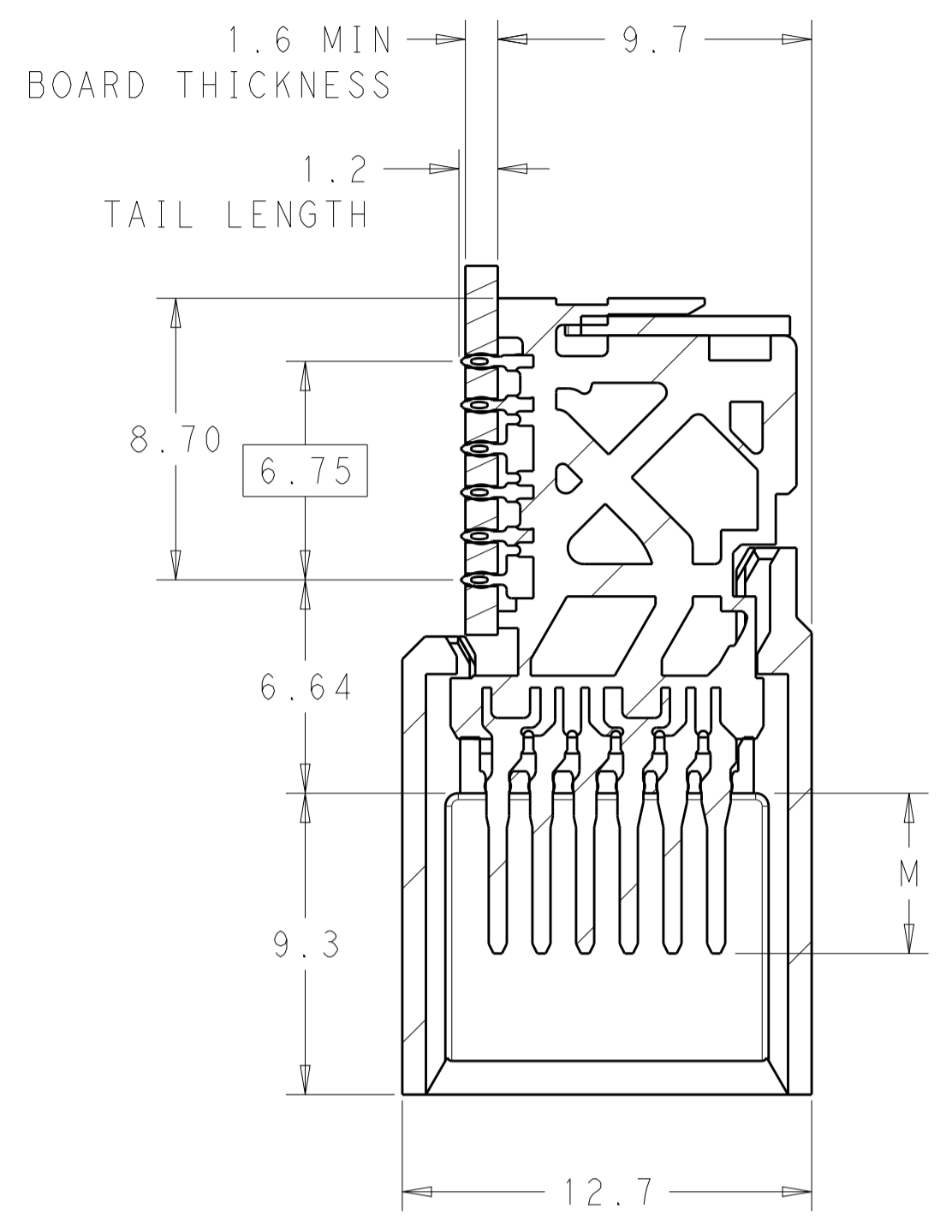
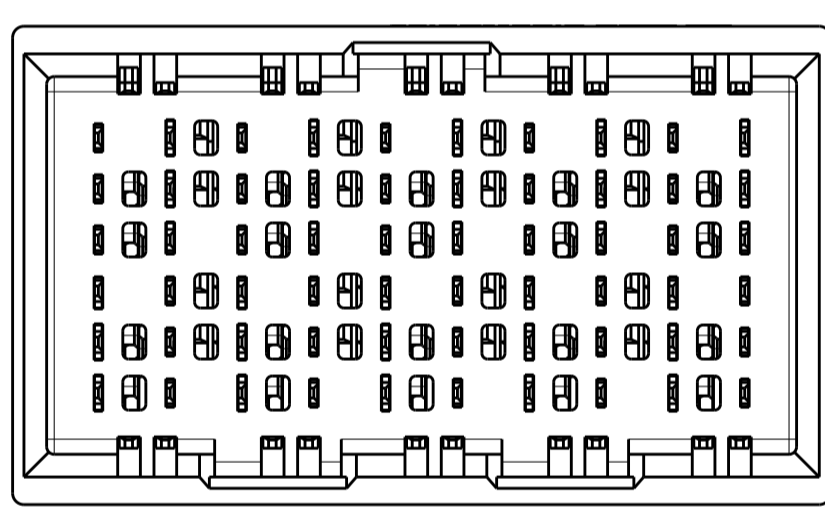
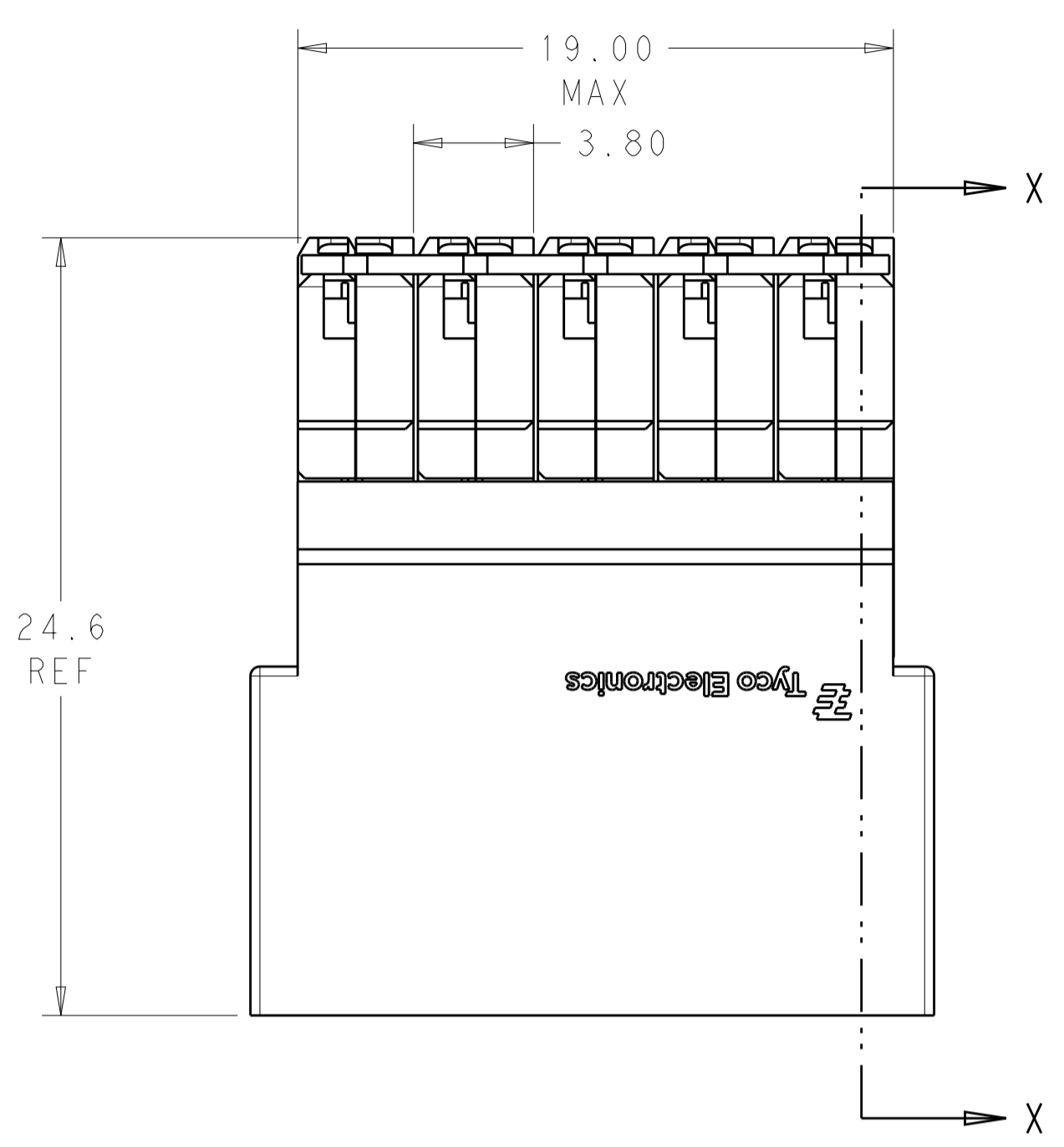


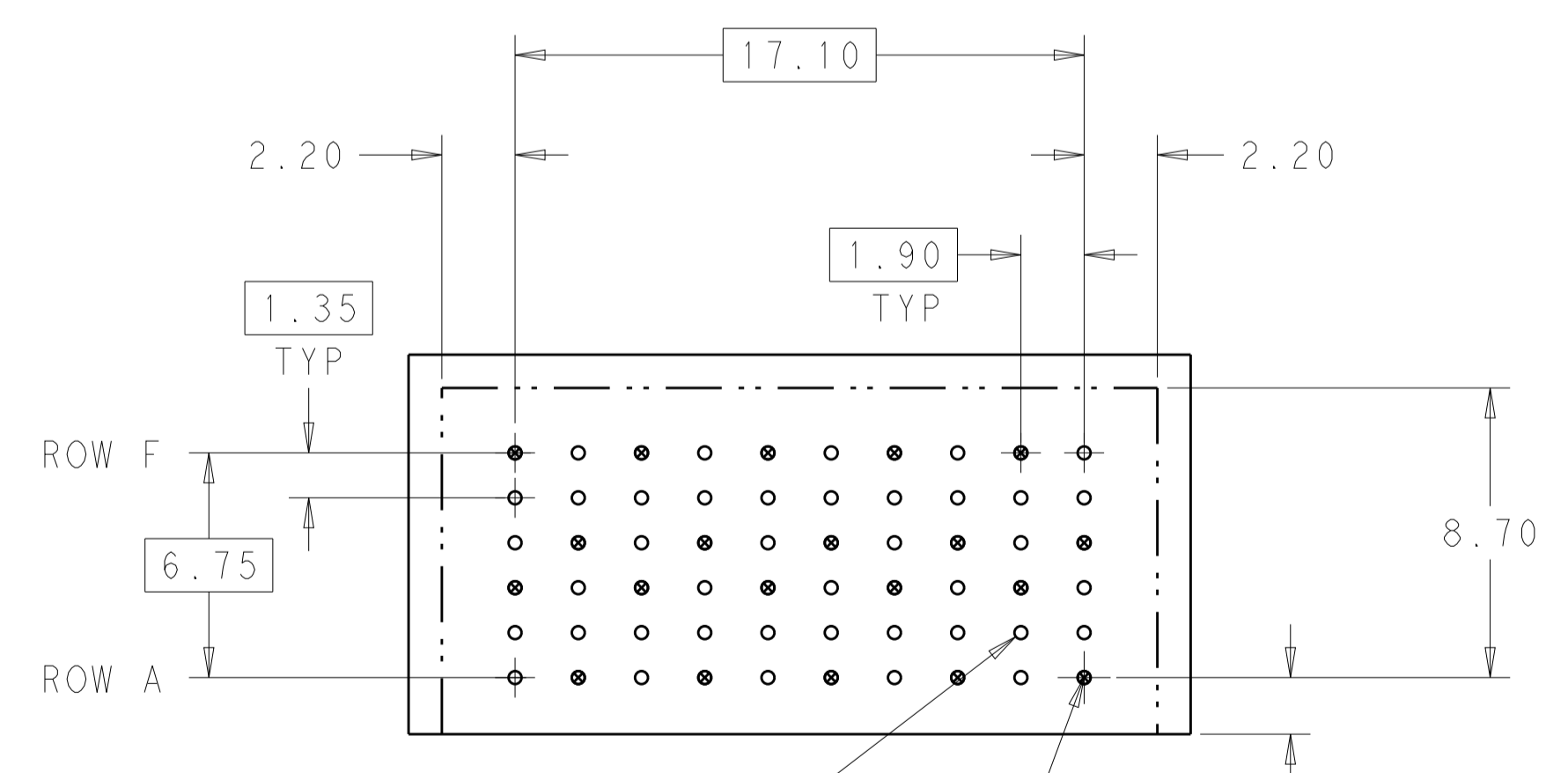
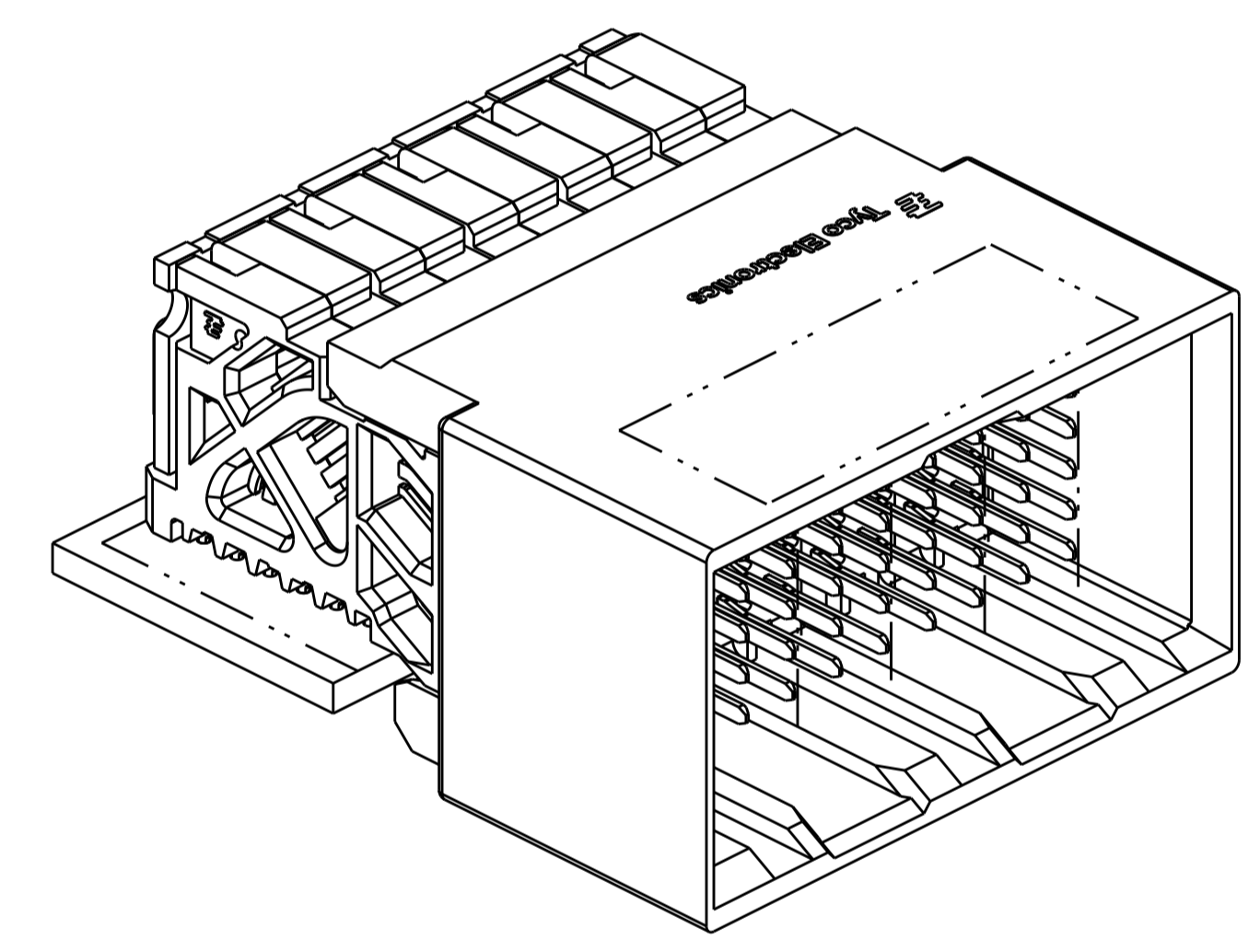
REVISIONS				
P.	LTM	DESCRIPTION	DATE	APVD
B1		REVISED PER ECO-15-003239	24MAR2015	AP DD



SECTION X-X



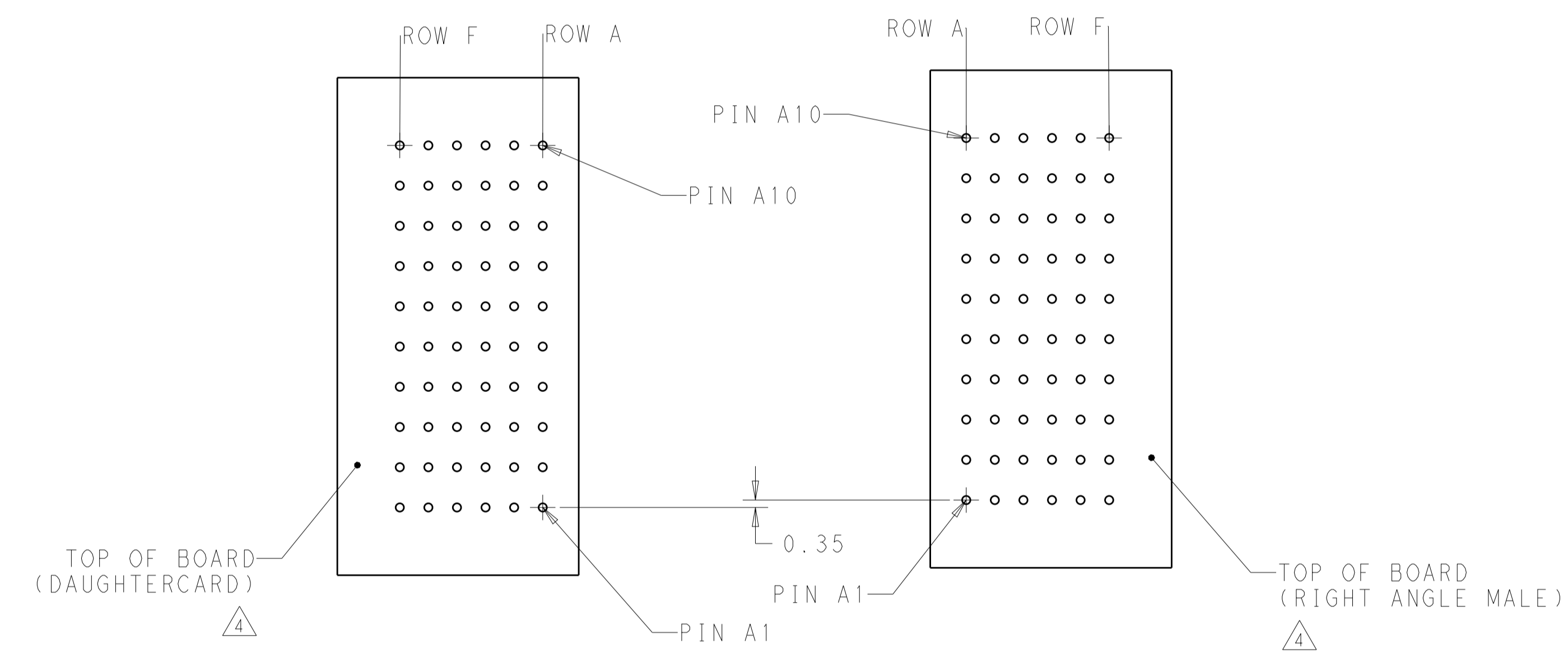
- 1 MATERIAL:
HOUSING: LCP, GLASS FILLED, UL94V-0.
TERMINALS: HIGH PERFORMANCE COPPER ALLOY.
- 2 FINISH:
30µm SELECTIVE GOLD IN CONTACT AREA. SELECTIVE TIN ON PCB TAILS, NICKEL OVERALL.
- 3 FINISH:
30µm SELECTIVE GOLD IN CONTACT AREA. SELECTIVE TIN-LEAD ON PCB TAILS, NICKEL OVERALL.
- 4 UNGUIDED RIGHT ANGLE MALE MATES TO UNGUIDED RIGHT ANGLE RECEPTACLE.



RECOMMENDED PCB LAYOUT

THIS DRAWING IS A CONTROLLED DOCUMENT.		DWN: 06APR2011	
DIMENSIONS: mm		CHK: J. EARY 06APR2011	
TOLERANCES UNLESS OTHERWISE SPECIFIED:		APVD: J. EARY 06APR2011	NAME: IMPACT, STD. RAM, 2 PAIR, 10 COLUMN, UNGUIDED DUAL END WALL SIGNAL MODULE, 0.39 EYELET PRODUCT SPEC APPLICATION SPEC
0 PLC ± 1 PLC ±0.25 2 PLC ±0.13 3 PLC ± 4 PLC ± ANGLES ±		SIZE: CAGE CODE DRAWING NO WEIGHT: A100779C=2143014 Customer Drawing	
MATERIAL: SEE TABLE		SCALE: 5:1	RESTRICTED TO: REV: B1

REVISIONS				
P.	LTN.	DESCRIPTION	DATE	APVD.
-	-	SEE SHEET 1	-	-



COPLANAR MATED SIGNAL PATHS



△3	5.50	2143014-6
△3	4.90	2143014-5
△2	5.50	2143014-3
△2	4.90	2143014-2
FINISH	DIM M	PART NUMBER

REFER TO WWW.TE.COM FOR PRODUCT AVAILABILITY

THIS DRAWING IS A CONTROLLED DOCUMENT.		DWN - 06APR2011	TE Connectivity
DIMENSIONS: mm		CHK J. EARY 06APR2011	
TOLERANCES UNLESS OTHERWISE SPECIFIED:		APVD J. EARY 06APR2011	NAME: IMPACT, STD, RAM, 2 PAIR, 10 COLUMN, UNGUIDED DUAL END WALL SIGNAL MODULE, 0.39 EYELET
0 PLC ± 1 PLC ±0.25 2 PLC ±0.13 3 PLC ± 4 PLC ± ANGLES ±		PRODUCT SPEC	SIZE CAGE CODE DRAWING NO
MATERIAL FINISH SEE TABLE		APPLICATION SPEC	RESTRICTED TO
WEIGHT -		Customer Drawing	A100779C=2143014
SCALE 5:1		SHEET 2 OF 2	REV B1