

HEADER WITH LEFT HOLD DOWN (FIG. 1)				
PART NUMBER	NUMBER OF POWER MODULES	*DIM A*	PLATING OPTION	LEFT HOLD DOWN MODULE LOCATION ⁹
78353-100*	1X	15.00	TIN	REFER TO SHEET 2 FOR DETAILS
78353-10**	2X	26.40		

HEADER WITH RIGHT HOLD DOWN (FIG. 2)				
PART NUMBER	NUMBER OF POWER MODULES	*DIM A*	PLATING OPTION	RIGHT HOLD DOWN MODULE LOCATION ⁹
78353-200*	1X	15.00	TIN	REFER TO SHEET 3 FOR DETAILS
78353-20**	2X	26.40		

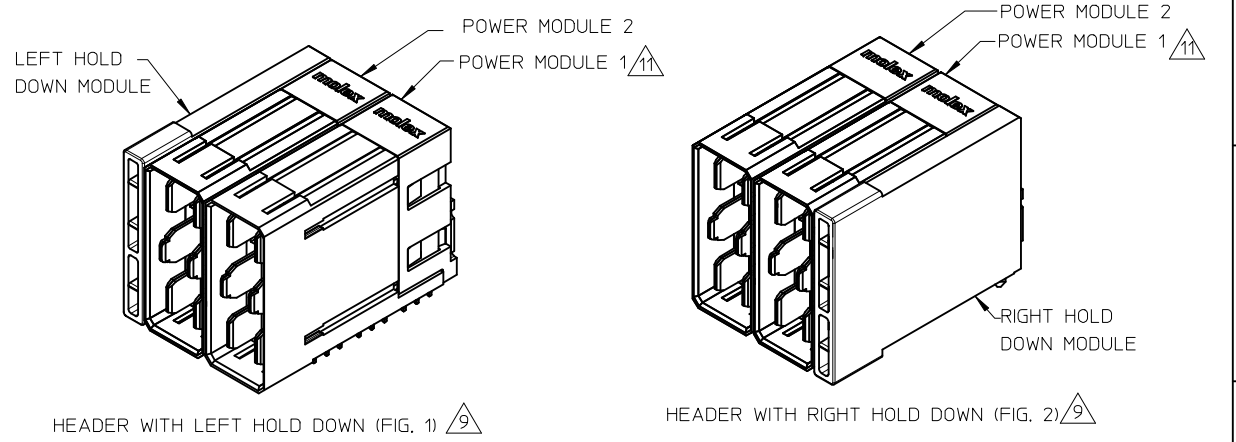
78353-*0**

PLATING OPTION	HOLD DOWN MODULE LOCATION	*
TIN	LEFT	1
	RIGHT	2

POWER MODULE 2			
*	BLADE LENGTH		
	P1	P2	P3
0	MODULE NOT PRESENT		
1	6.90	6.90	6.90
2	5.70	5.70	6.90
5	6.90	5.70	5.70
7	5.70	6.90	6.90

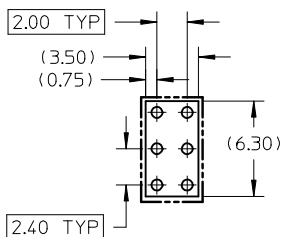
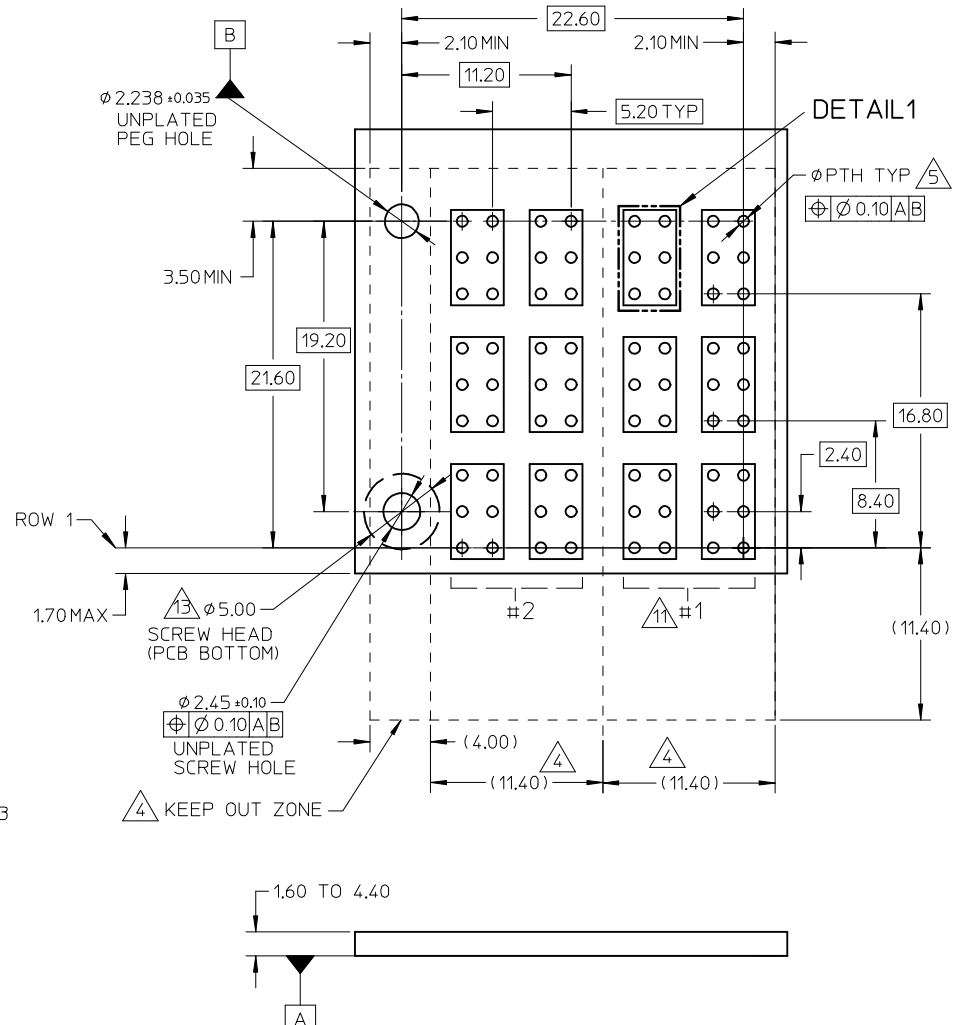
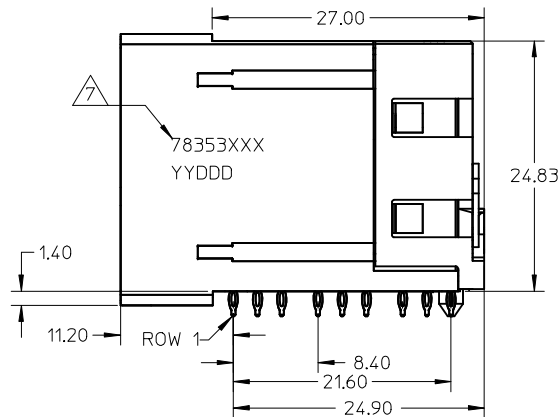
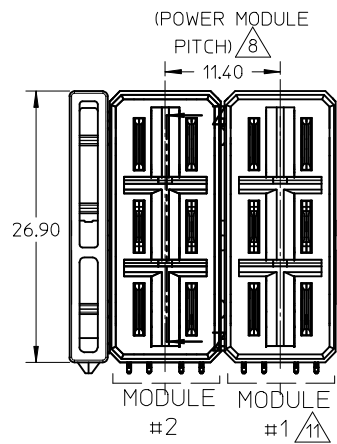
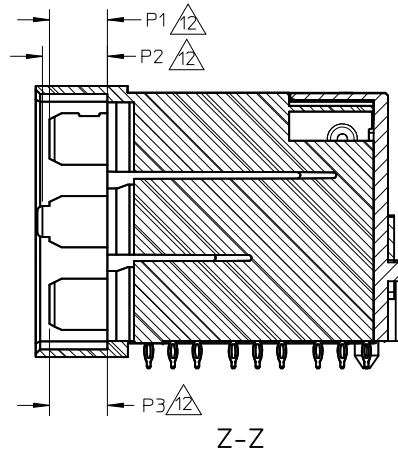
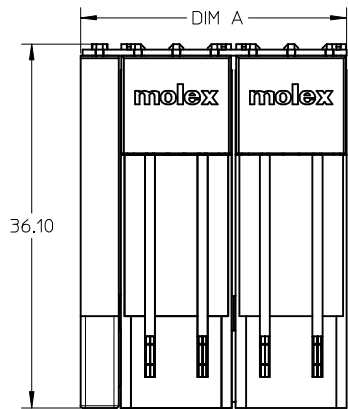
POWER MODULE 1 ¹¹			
*	BLADE LENGTH		
	P1	P2	P3
1	6.90	6.90	6.90
2	5.70	5.70	6.90
5	6.90	5.70	5.70
7	5.70	6.90	6.90

- NOTES:
- MATERIALS:
HOUSING - HIGH TEMP. THERMOPLASTIC, GLASS FILLED, UL94-V0,COLOR:BLACK.
POWER PIN - COPPER ALLOY.
 - FINISH:
POWER CONTACTS
0.76µm MINIMUM GOLD AT CONTACT AREA AND
2.54µm MINIMUM TIN AT SOLDER TAIL AREA
OVER 1.27µm MINIMUM NICKEL UNDERPLATE.
 - PRODUCT SPECIFICATION: PS-78213-001.
 - COMPONENT STAY AWAY ZONE FROM CONNECTOR.
 - REFER TO MOLEX PRODUCT SPECIFICATION PS-78213-001 FOR PLATED THROUGH-HOLE SPECIFICATIONS AND TORQUE FORCE.
 - MATES WITH 78218-****.
 - PART NUMBER AND YEAR-DAY CODE. CAN BE AT THE OPPOSITE SIDE.
 - ADD 11.4mm FOR EACH ADDITIONAL POWER MODULE.
 - THE DETAILS FOR LEFT & RIGHT HOLD DOWN OPTION ARE SHOWN IN SHEET 2 AND SHEET 3 RESPECTIVELY.
 - CONNECTORS ARE PACKED IN A TRAY.
 - FIRST POWER MODULE (#1) START FROM THE RIGHT.
 - REFER TO SD-78217-003 FOR DETAILS OF THE POWER MODULE.
 - ALL PARTS ARE SHIPPED WITH A 2-32 TYPE AB SELF-TAPPING SCREW PART NUMBER 73726-0000.
 - PACKAGING SPECIFICATION:
PK-78353-001 (1X MODULE WITH HOLD DOWN MODULE)
PK-78353-002 (2X MODULE WITH HOLD DOWN MODULE)



CORRECT MODULE 1 TYPO-ERROR EC NO: S2016-0432 DRWN: SHONG 2015/11/03 CHKD: HCGOH 2015/11/05 APPR: SILENI 2015/11/05	QUALITY SYMBOLS	GENERAL TOLERANCES (UNLESS SPECIFIED)		DIMENSION STYLE MM ONLY		SCALE NTS	DESIGN UNITS METRIC	THIRD ANGLE PROJECTION	
	$F_{A/0}$	4 PLACES	mm	INCH	DRAWN BY LNG	DATE 2010/12/02	TITLE IMPACT POWER, 6 PAIR HEADER WITH HOLD DOWN PRESS FIT		
	$F_{C/0}$	3 PLACES	± ---	± ---	CHECKED BY KJKOH	DATE 2011/04/11	MATERIAL NO. SD-78353-001		
	$F_{P/0}$	2 PLACES	± 0.25	± ---	APPROVED BY SHONG	DATE 2011/04/11	DOCUMENT NO. SD-78353-001		
		1 PLACE	± ---	± ---	ANGULAR ± 3 °		SHEET NO. 1 OF 5		
	DRAFT WHERE APPLICABLE MUST REMAIN WITHIN DIMENSIONS		SIZE A3		THIS DRAWING CONTAINS INFORMATION THAT IS PROPRIETARY TO MOLEX INCORPORATED AND SHOULD NOT BE USED WITHOUT WRITTEN PERMISSION				

LEFT HOLD DOWN OPTION



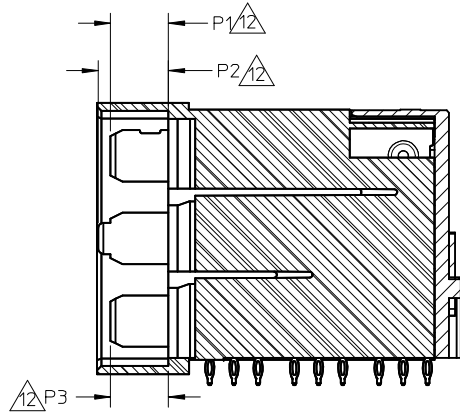
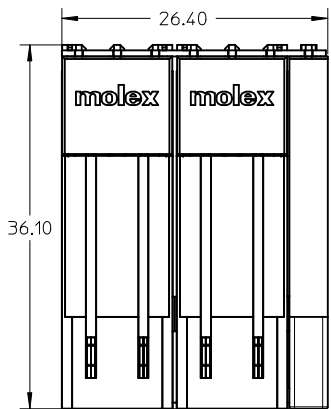
COPPER PAD REFERENCE
DETAIL 1

PCB LAYOUT HOLD DOWN LEFT

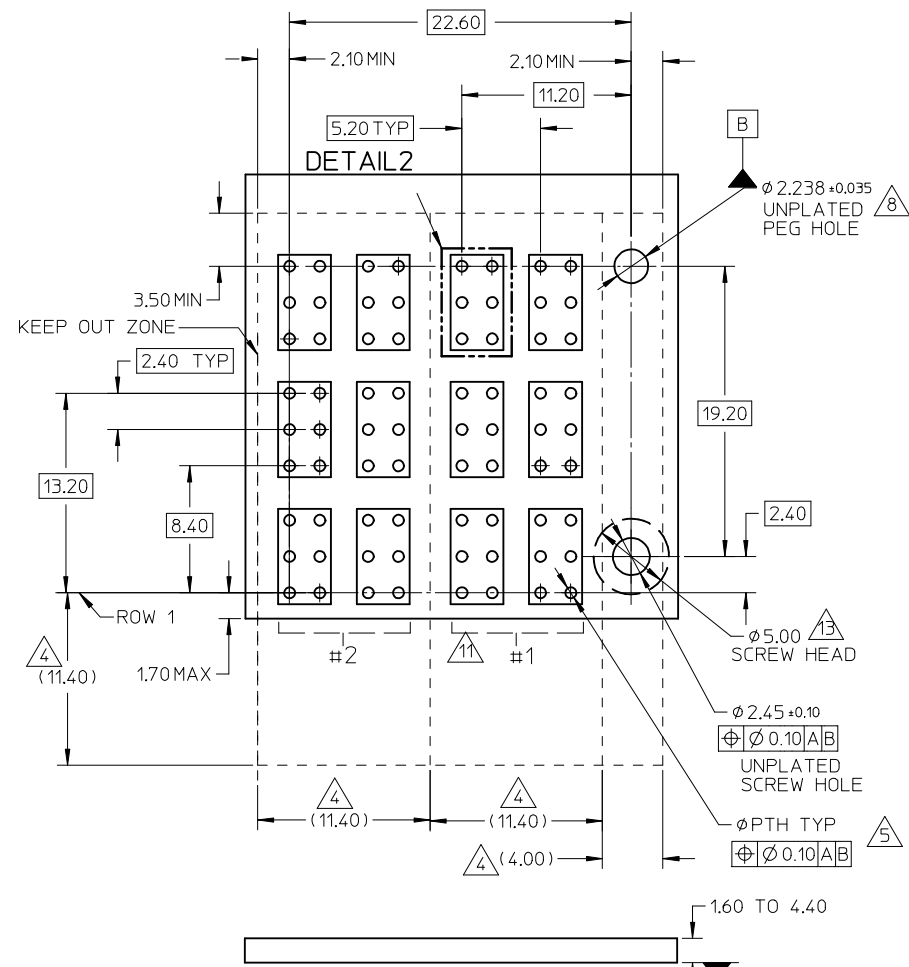
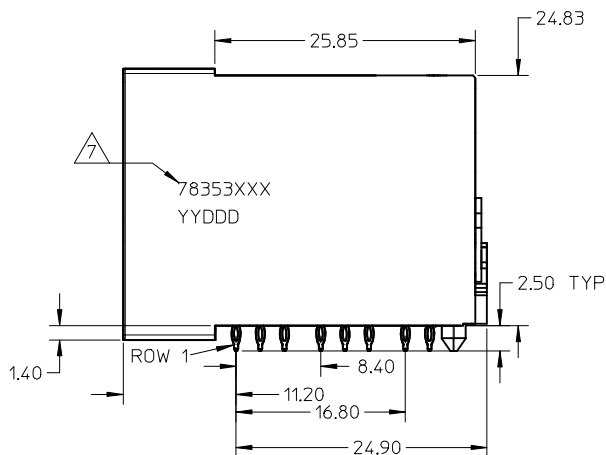
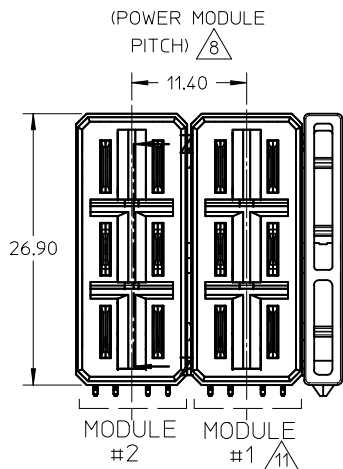
(COMPONENT SIDE SHOWN)

SEE SHT 1 EC NO: S2016-0432 DRWN: SHONG CHKD: HCGOH APPR: SILENI 2015/11/03 2015/11/05 2015/11/05	QUALITY SYMBOLS $F_A=0$ $F_G=0$ $F_P=0$	GENERAL TOLERANCES (UNLESS SPECIFIED) mm INCH 4 PLACES ± --- ± --- 3 PLACES ± --- ± --- 2 PLACES ± 0.25 ± --- 1 PLACE ± --- ± --- ANGULAR ± 3°	DIMENSION STYLE MM ONLY DRAWN BY: LNG DATE: 2010/12/02 CHECKED BY: KJKOH DATE: 2011/04/11 APPROVED BY: SHONG DATE: 2011/04/11	DESIGN UNITS NTS METRIC THIRD ANGLE PROJECTION	TITLE IMPACT POWER, 6 PAIR HEADER WITH HOLD DOWN PRESS FIT	
	MATERIAL NO.	DOCUMENT NO.	SHEET NO.	MOLEX INCORPORATED SD-78353-001 2 OF 5		
	DRAFT WHERE APPLICABLE MUST REMAIN WITHIN DIMENSIONS			SEE TABLE		
	THIS DRAWING CONTAINS INFORMATION THAT IS PROPRIETARY TO MOLEX INCORPORATED AND SHOULD NOT BE USED WITHOUT WRITTEN PERMISSION					

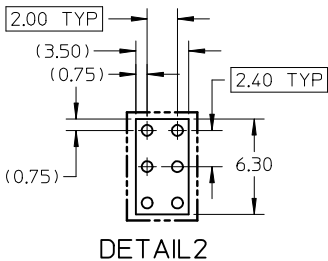
RIGHT HOLD DOWN OPTION



SECTION Z-Z

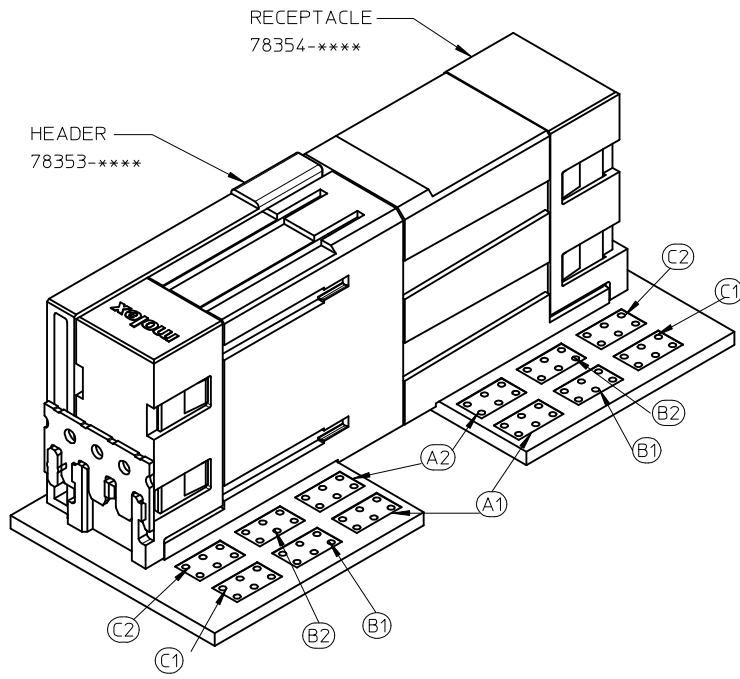


PCB LAYOUT HOLD DOWN RIGHT
(COMPONENT SIDE SHOWN)

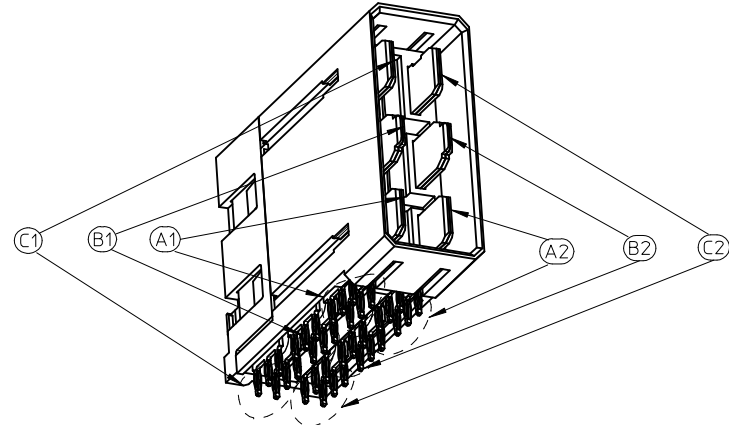


DETAIL2

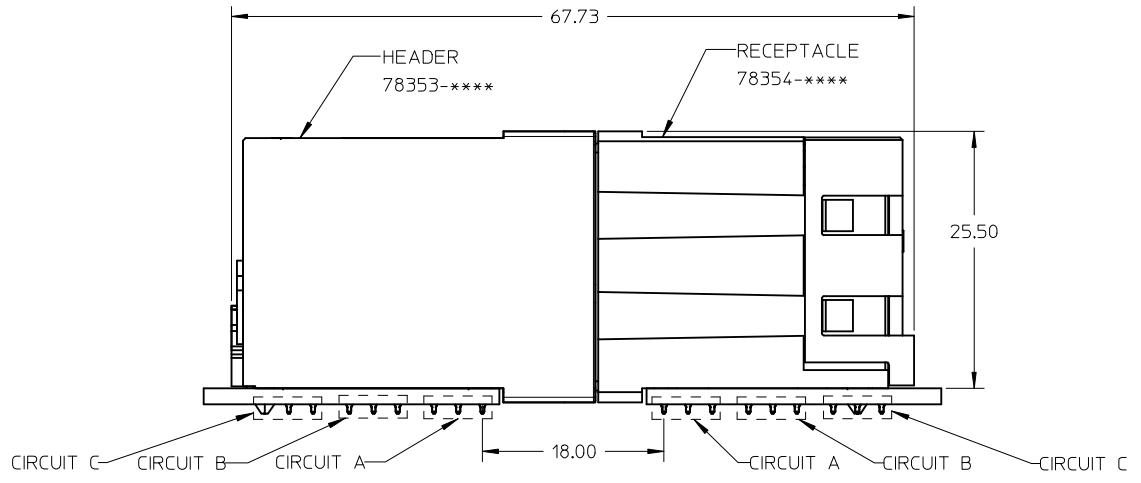
SEE SHT 1 EC NO: S2016-0432 DRWN: SHONG CHKD: HICGHH APPR: SILENI 2015/11/03 2015/11/05 2015/11/05	QUALITY SYMBOLS $F_A=0$ $F_C=0$ $F_P=0$	GENERAL TOLERANCES (UNLESS SPECIFIED) mm INCH 4 PLACES ± --- ± --- 3 PLACES ± --- ± --- 2 PLACES ± 0.25 ± --- 1 PLACE ± --- ± --- ANGULAR ± 3°	DIMENSION STYLE MM ONLY DRAWN BY: LNG DATE: 2010/12/02 CHECKED BY: KJKOH DATE: 2011/04/11 APPROVED BY: SHONG DATE: 2011/04/11	SCALE NTS DESIGN UNITS METRIC THIRD ANGLE PROJECTION	TITLE IMPACT POWER, 6 PAIR HEADER WITH HOLD DOWN PRESS FIT	
	MATERIAL NO. SEE TABLE	DOCUMENT NO. MOLEX INCORPORATED SD-78353-001	SHEET NO. 3 OF 5			
	DRAFT WHERE APPLICABLE MUST REMAIN WITHIN DIMENSIONS			THIS DRAWING CONTAINS INFORMATION THAT IS PROPRIETARY TO MOLEX INCORPORATED AND SHOULD NOT BE USED WITHOUT WRITTEN PERMISSION		
	REV B4					



1 POWER MODULE REMOVED TO ILLUSTRATE CIRCUIT PATH OF MATED SYSTEM

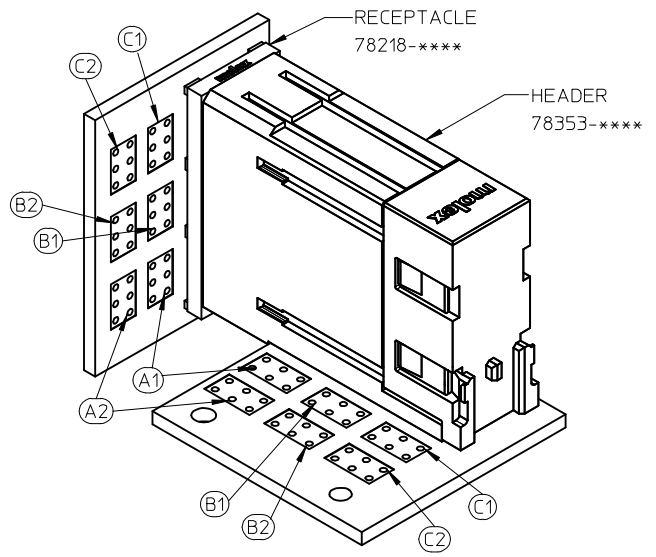


PIN NUMBER ASSIGNMENT BASED ON HEADER SIDE:
 A1, B1 ON THE LEFT
 A2, B2 ON THE RIGHT

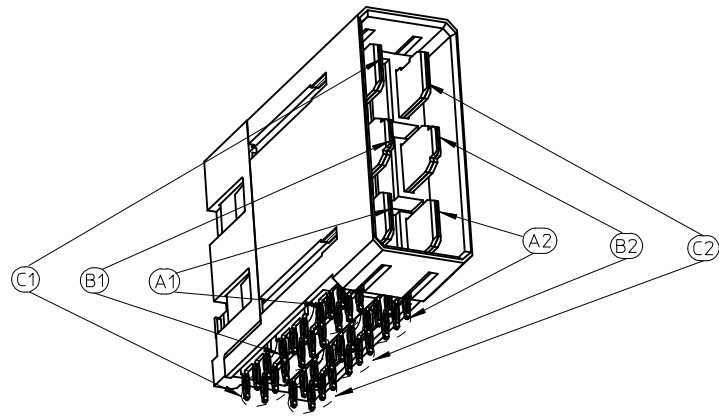


MATED SYSTEM OF 78353 & 78354

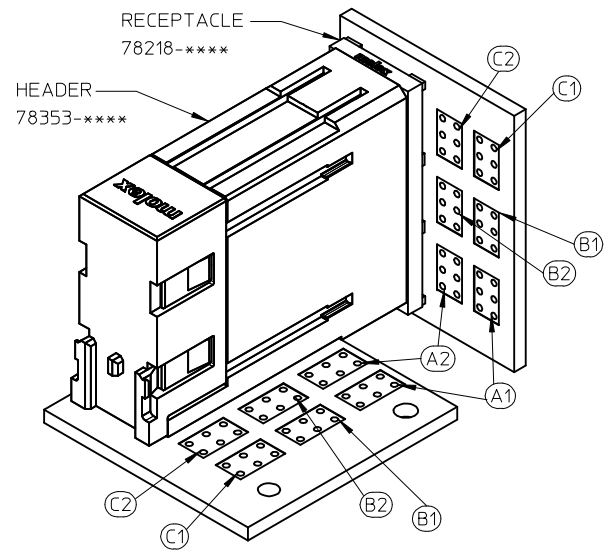
SEE SHT 1 EC NO: S2016-0432 DRWN: SHONG CHKD: HICG OH APPR: SHLENI 2015/11/03 2015/11/05 2015/11/05	QUALITY SYMBOLS $\nabla_A = 0$ $\nabla_C = 0$ $\nabla_P = 0$	GENERAL TOLERANCES (UNLESS SPECIFIED)		DIMENSION STYLE MM ONLY		SCALE NTS	DESIGN UNITS METRIC	THIRD ANGLE PROJECTION	
			mm	INCH	DRAWN BY LNG	DATE 2010/12/02	TITLE IMPACT POWER, 6 PAIR HEADER WITH HOLD DOWN PRESS FIT		
		4 PLACES	± ---	± ---	CHECKED BY KJKOH	DATE 2011/04/11	molex SD-78353-001		
		3 PLACES	± ---	± ---	APPROVED BY SHONG	DATE 2011/04/11			
2 PLACES	± 0.25	± ---	DRAFT WHERE APPLICABLE MUST REMAIN WITHIN DIMENSIONS		SEE TABLE		4 OF 5		
1 PLACE	± ---	± ---			SIZE A3		THIS DRAWING CONTAINS INFORMATION THAT IS PROPRIETARY TO MOLEX INCORPORATED AND SHOULD NOT BE USED WITHOUT WRITTEN PERMISSION		
0 PLACE	±	± ---							



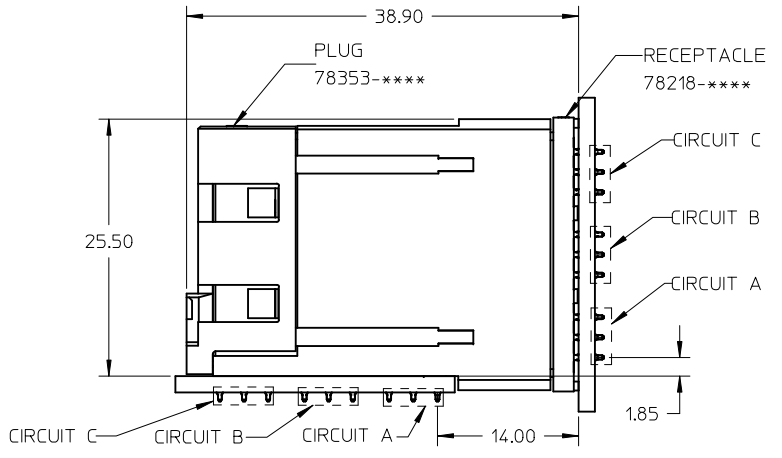
LEFT HOLD DOWN:
1 POWER MODULE AND HOLD DOWN REMOVED TO ILLUSTRATE CIRCUIT PATH OF MATED SYSTEM



PIN NUMBER ASSIGNMENT BASED ON HEADER SIDE:
A1, B1 ON THE LEFT
A2, B2 ON THE RIGHT



RIGHT HOLD DOWN:
1 POWER MODULE AND HOLD DOWN REMOVED TO ILLUSTRATE CIRCUIT PATH OF MATED SYSTEM



MATED SYSTEM OF 78218 & 78353

SEE SHT 1 EC NO: S2016-0432 DRWN: SHONG CHKD: HICGHOH APPR: SHILENI	QUALITY SYMBOLS	GENERAL TOLERANCES (UNLESS SPECIFIED)	DIMENSION STYLE	SCALE	DESIGN UNITS	THIRD ANGLE PROJECTION
	$\nabla_A = 0$	mm INCH	MM ONLY	NTS	METRIC	
	$\nabla_B = 0$	4 PLACES ± --- ± ---	DRAWN BY	DATE	TITLE	IMPACT POWER, 6 PAIR HEADER WITH HOLD DOWN PRESS FIT
	$\nabla_C = 0$	3 PLACES ± --- ± ---	LNG	2010/12/02		
$\nabla_D = 0$	2 PLACES ± 0.25 ± ---	CHECKED BY	DATE		molex	SD-78353-001
$\nabla_E = 0$	1 PLACE ± --- ± ---	KJKOH	2011/04/11			
	0 PLACE ± --- ± ---	APPROVED BY	DATE			5 OF 5
		SHONG	2011/04/11			
		ANGULAR ± 3 °	MATERIAL NO.			
		DRAFT WHERE APPLICABLE MUST REMAIN WITHIN DIMENSIONS	SEE TABLE			
			SIZE	THIS DRAWING CONTAINS INFORMATION THAT IS PROPRIETARY TO MOLEX INCORPORATED AND SHOULD NOT BE USED WITHOUT WRITTEN PERMISSION		
			A3			