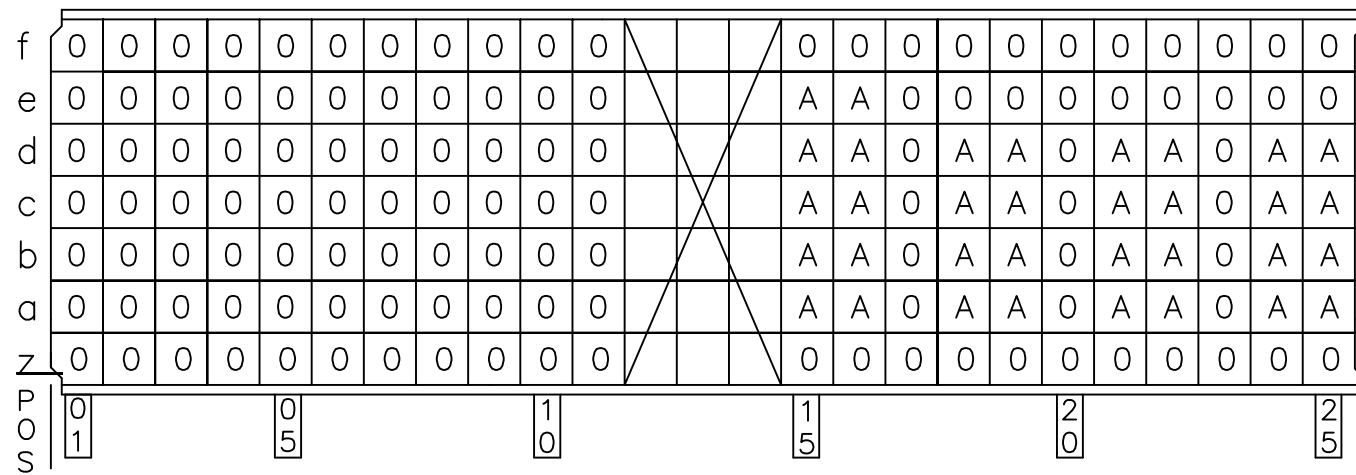
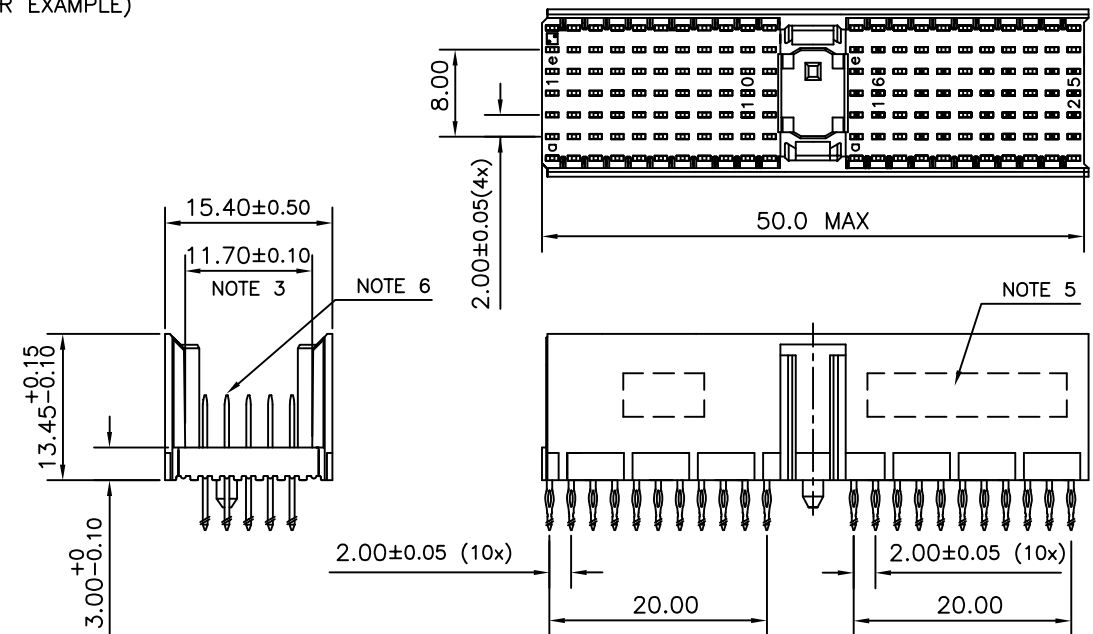


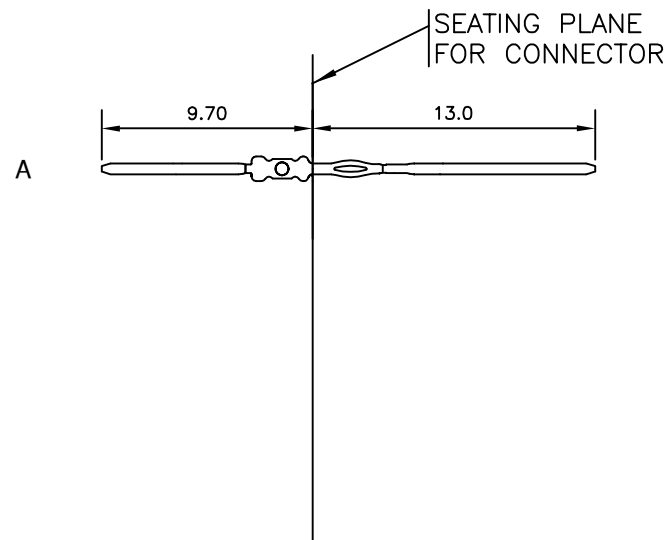
LOADING PATTERN MATING SIDE



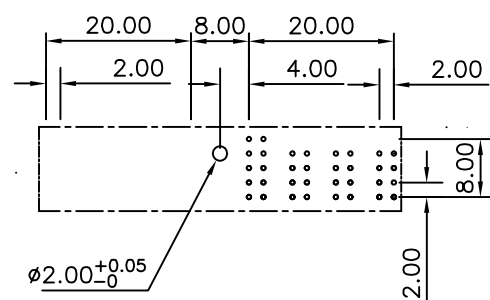
LOADED CONNECTOR ASSEMBLY (FOR EXAMPLE)



CONTACT OVERVIEW



LAY-OUT P.C.B.-HOLE



LEAD FREE INDICATOR : LF = LEAD FREE (DIGIT 15 & 16)

HM2P07PKE3C0

PLATING CODE (DIGIT 13 AND 14) (REF DRW NO. BS,C , 201844 , 003)

NOTES

- THIS PRODUCT IS CSA APPROVED.
  - THIS PRODUCT IS UL RECOGNIZED.
  - MEASURED AT THE BOTTOM.
  - MATERIAL CONTACT: PHOSPHORBRONZE  
HOUSING: CREAM WHITE GLASS FILLED POLYESTER UL-94V0
  - CONNECTOR PRINTED WITH P/N AND DATE CODE.
  - FOR ACTUAL CONTACT LOADINGS, SEE LOADING PATTERN MATING SIDE.
  - SHAPE OF CONNECTOR HOUSING CAN ALTER DEPENDING ON PRODUCTION LOCATION
  - THE PRODUCT (LF) MEETS EUROPEAN UNION DIRECTIVES AND OTHER COUNTRY REGULATIONS AS DESCRIBED IN GS-22-008
  - FOR RECOMMENDED PTH DIMENSIONS REFER DRAWING : BS, A , 201572 , 001
- CATALOG NO: HM2P07PKE3C0----

mat'l. code SEE NOTE 4				surface ISO 1302 <input checked="" type="checkbox"/>		tolerance ISO 406 ISO 1101		projection 		product family MILLIPACS	
litr ecn no dr date				tolerances unless otherwise specified		angles		MM		title MPACS 5+2R STR HDR PF CONN TYPE A	
A	I04-0038	MINI	2004/05/18			linear				scale -	
B	I05-0188	MINI	2005/10/13			0°±1°				dwg no sheet 1 of 1	
C	I06-0090	MINI	2006/06/27							size A3	
				dr		MINI K VANDANATH		2004/05/18		BS, C ,203028, 135	
				engr		BIJU K PAUL		2004/05/18		type Product Customer Drawing	
				chr		BIJU K PAUL		2006/06/27			
				appd		BIJU K PAUL		2006/06/27			
sheet index		revision sheet		C		1					



Copyright FCI