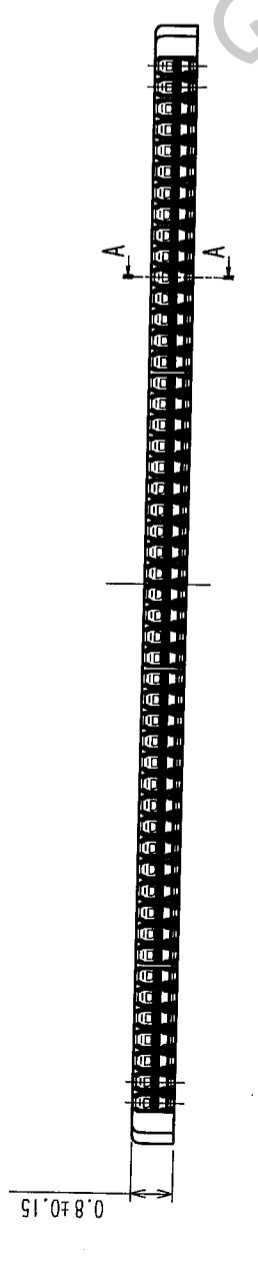
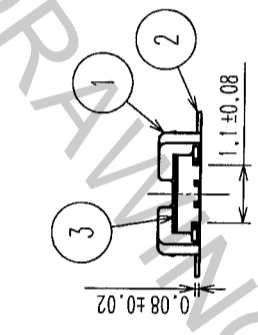
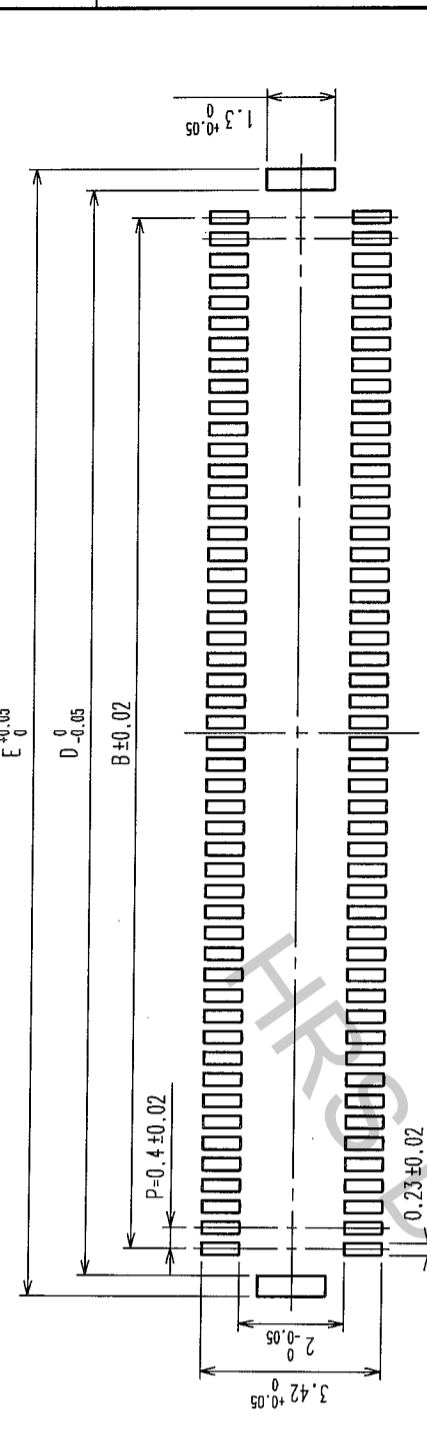
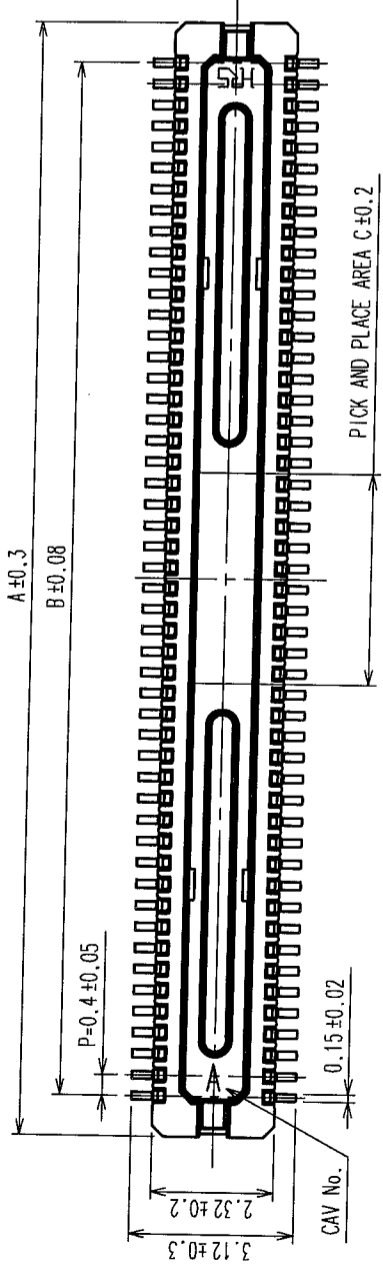


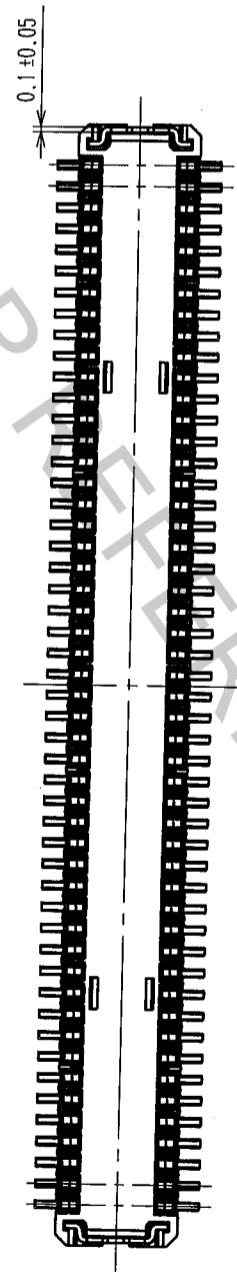
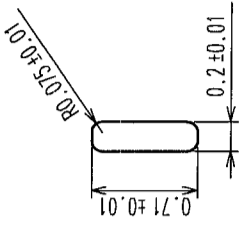
COUNT	DESCRIPTION OF REVISIONS	BY	CHKD	DATE	COUNT	DESCRIPTION OF REVISIONS	BY	CHKD	DATE
△					△				
△					△				
△					△				

RECOMMENDED PATTERN

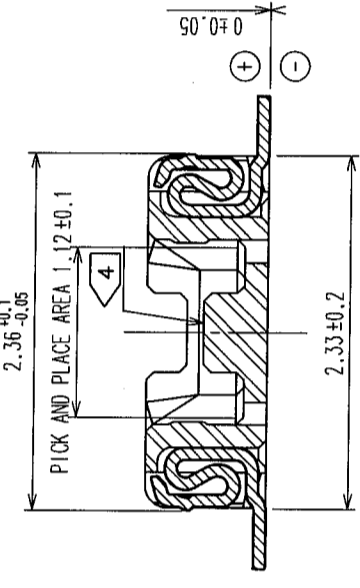


RECOMMENDED SOLDER PASTE: THICKNESS 120 μm

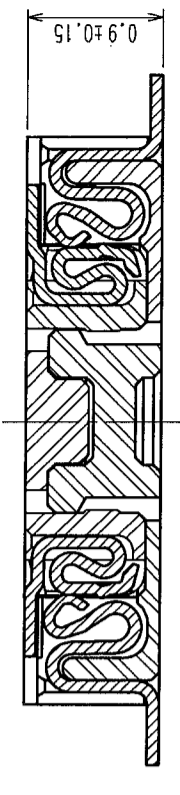
RECOMMENDED METAL MASK OPENING DIMENSIONS FOR LEAD PAD (20:1)



A-A (20:1)



ENGAGEMENT FIGURE (20:1)



- NOTE 1. ALL LEADS CO-PLANARITY SHALL BE 0.1 MAX.
 2. PER REEL : 5000 CONNECTORS.
 3. AT THE BEGINNING OF THE REEL, 100 MM AT MIN SHALL BE EMPTY POCKETS.
 AT THE END OF THE REEL, 160 MM AT MIN SHALL BE EMPTY POCKETS.
 NO CAVITY ON THE CONNECTORS LESS THAN 24 POS.
 CONTACT PLATING SPECIFICATIONS.
 CONTACT AREA : GOLD 0.05 μm MIN.
 SMT LEAD : GOLD 0.02 μm MIN.
 UNDERPLATING : NICKEL 1 μm MIN.
 (SURFACE : SEALING)
 METAL HOLD DOWN PLATING SPECIFICATIONS.
 MOUNTING AREA: TIN 1 μm MIN.
 UNDERPLATING : NICKEL 1 μm MIN.

PART NO.	CODE NO.	A	B	C	D	E
DF30FB-80DP-0.4V(81)	CL684-1136-0-81	17.14	15.6	3.2	16.64	17.44
DF30FB-70DP-0.4V(81)	CL684-1075-8-81	15.14	13.6	2.8	14.64	15.44
DF30FB-60DP-0.4V(81)	CL684-1074-5-81	13.14	11.6	2.4	12.64	13.44
DF30FB-50DP-0.4V(81)	CL684-1135-8-81	11.14	9.6	2	10.64	11.44
DF30FB-40DP-0.4V(81)	CL684-1134-5-81	9.14	7.6	1.6	8.64	9.44
DF30FB-34DP-0.4V(81)	CL684-1133-2-81	7.94	6.4	1.36	7.44	8.24
DF30FB-30DP-0.4V(81)	CL684-1132-0-81	7.14	5.6	1.2	6.64	7.44
DF30FB-24DP-0.4V(81)	CL684-1131-7-81	5.94	4.4	1.2	5.44	6.24
DF30FB-22DP-0.4V(81)	CL684-1130-4-81	5.54	4.0	1.2	5.04	5.84
DF30FB-20DP-0.4V(81)	CL684-1129-5-81	5.14	3.6	1.2	4.64	5.44

NO.	MATERIAL	FINISH, REMARKS	NO.	MATERIAL	FINISH, REMARKS
3	PHOSPHOR BRONZE	6	PS	PLASTIC REEL (BLACK)	
2	PHOSPHOR BRONZE	5	POLYESTER	CLEAR (COVER TAPE)	
1	LCP	UL94V-0, BLACK	4	PS	CLEAR (EMBOSSED CARRIER TAPE)

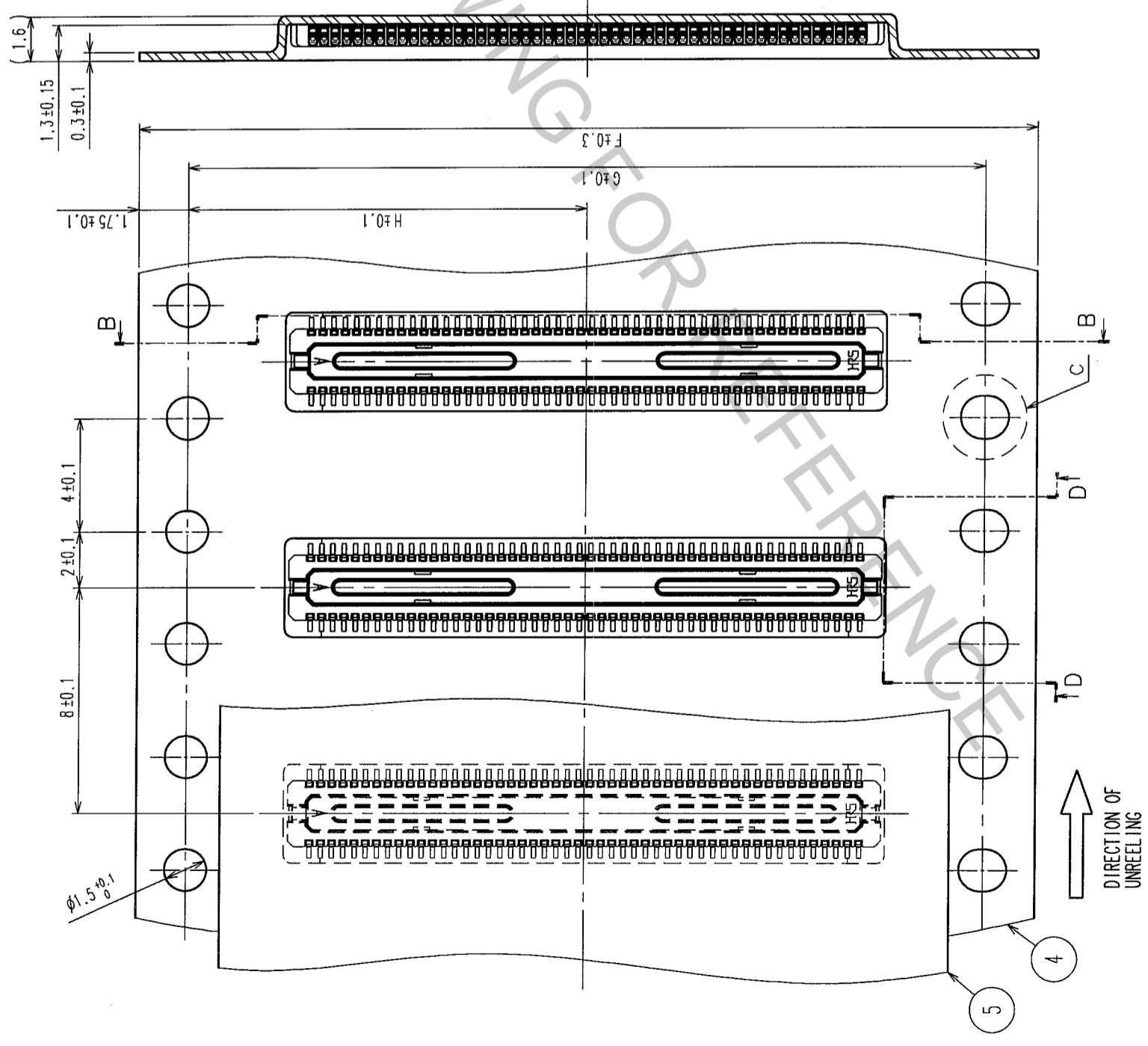
CODE NO. (OLD)	DRAWN	DESIGNED	CHECKED	APPROVED	RELEASED
	F. Matsuki	J. Ozeki	A. Takahashi	T. Sakata	
	'04.12.24	'04.12.24	'04.12.24	'04.12.25	

DRAWING NO.	PART NO.
EDC3-303546-02	DF30FB-*DP-0.4V(81)

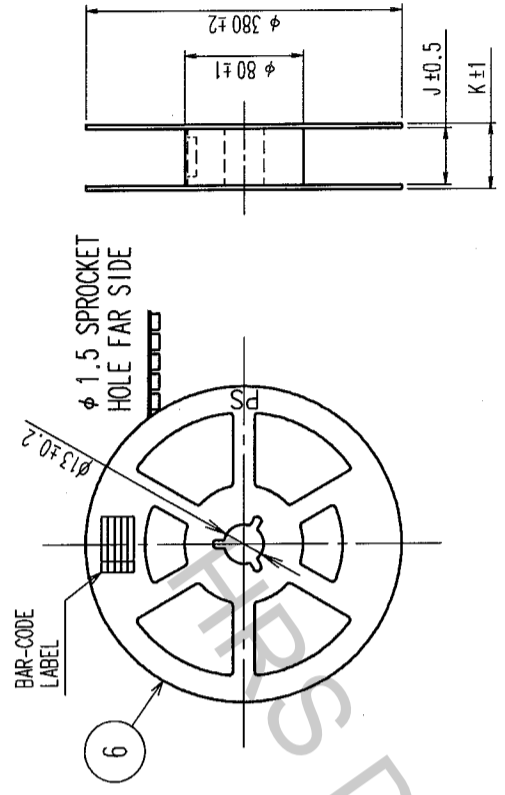
SCALE	UNITS	CODE NO.
FREE	mm	CL684-***-*-81

COUNT	DESCRIPTION OF REVISIONS	BY	CHKD	DATE	COUNT	DESCRIPTION OF REVISIONS	BY	CHKD	DATE

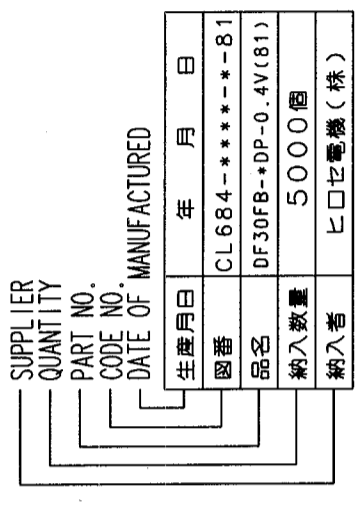
B-B



STYLE AND DIMENSION OF REEL (FREE SIZE)



DETAIL OF PART NO. LABEL



PART NO.	CODE NO.	F	G	H	J	K
DF30FB-80DP-0.4V(81)	CL684-1136-0-81	24	-	11.5	25.5	29.5
DF30FB-70DP-0.4V(81)	CL684-1075-8-81	24	-	11.5	25.5	29.5
DF30FB-60DP-0.4V(81)	CL684-1074-5-81	24	-	11.5	25.5	29.5
DF30FB-50DP-0.4V(81)	CL684-1135-8-81	24	-	11.5	25.5	29.5
DF30FB-40DP-0.4V(81)	CL684-1134-5-81	16	-	7.5	17.5	21.5
DF30FB-34DP-0.4V(81)	CL684-1133-2-81	16	-	7.5	17.5	21.5
DF30FB-30DP-0.4V(81)	CL684-1132-0-81	16	-	7.5	17.5	21.5
DF30FB-24DP-0.4V(81)	CL684-1131-7-81	16	-	7.5	17.5	21.5
DF30FB-22DP-0.4V(81)	CL684-1130-4-81	16	-	7.5	17.5	21.5
DF30FB-20DP-0.4V(81)	CL684-1129-5-81	16	-	7.5	17.5	21.5

CODE NO. (OLD)	DESIGNED	CHECKED	APPROVED	RELEASED

DRAWN	DESIGNED	CHECKED	APPROVED	RELEASED
F. Matsuki				
'04.12.24				

DRAWING NO.	PART NO.
EDC3-303546-02	DF30FB-*DP-0.4V(81)

SCALE	UNITS
5 : 1	mm

TO

