

HC-D 7-AML-24/GR

Order No.: 1773035

<http://eshop.phoenixcontact.de/phoenix/treeViewClick.do?UID=1773035>

HEAVYCON panel mounting base D7, with single locking latch, height 24 mm, straight, aluminum

Commercial data

EAN	4017918122324
Pack	10 pcs.
Customs tariff	85389099
Weight/Piece	0.04526 KG
Catalog page information	Page 509 (PC-2009)

Product notes

WEEE/RoHS-compliant since:
02/14/2006



<http://www.download.phoenixcontact.com>
Please note that the data given here has been taken from the online catalog. For comprehensive information and data, please refer to the user documentation. The General Terms and Conditions of Use apply to Internet downloads.

Technical data

General data

Note	For contact inserts HC-D7, D8, A3, A4, B5, HS2-D7
Design	D7
Height	24 mm

Width	38 mm
Length	28 mm
Housing type	Panel mounting base, straight
Locking type	With single locking latch
Degree of protection	IP54 / IP65 with sealing screw
Ambient temperature (operation)	-40 °C ... 125 °C
Housing material	Zinc die-cast
Housing surface material	Powder-coated, gray (metal housing)
Seal material	NBR
Locking latch material	Steel, galvanized
Single locking latch material	Zinc-plated steel and passivated
Length of the assembly cutout	21.5 mm
Width of the assembly cutout	21.5 mm

Certificates / Approvals



Certification GOST

Accessories

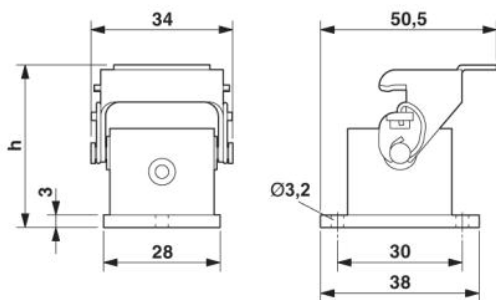
Item	Designation	Description
------	-------------	-------------

Assembly

1686229	HC-D 7-DS-IP65	Sealing screw, for IP65 protection
---------	----------------	------------------------------------

Diagrams/Drawings

Dimensioned drawing



Address

PHOENIX CONTACT Inc., USA
586 Fulling Mill Road
Middletown, PA 17057, USA
Phone (800) 888-7388
Fax (717) 944-1625
<http://www.phoenixcon.com>



© 2010 Phoenix Contact
Technical modifications reserved;