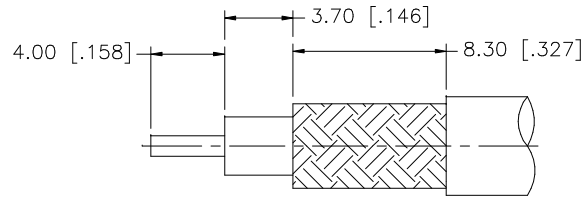
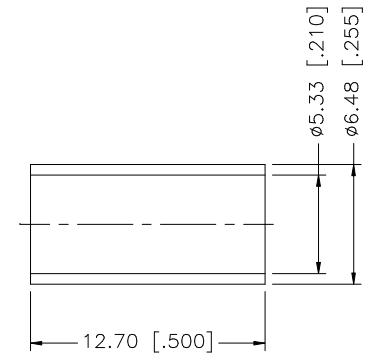
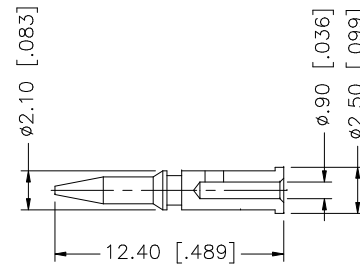
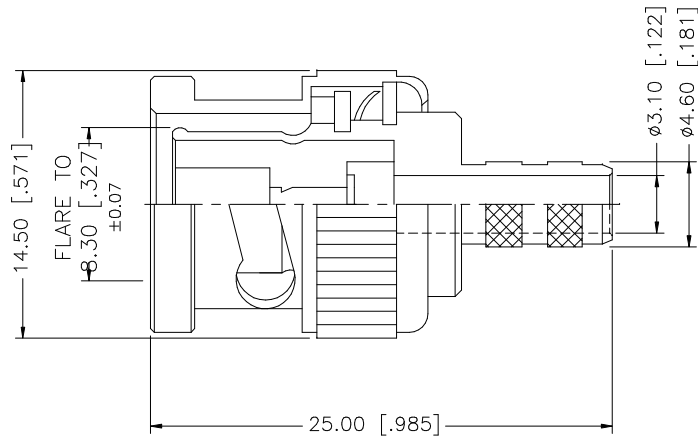


REV.	DATE	DESCRIPTION
NC	02/07/06	INITIAL RELEASE



RECOMMENDED
CABLE STRIPPING DIMS.



NOTE:

1. CRIMPED FERRULE
HEX CRIMP SIZE .213"
2. CRIMPED CONTACT PIN
HEX CRIMP SIZE .068"

					APPROVALS	DATE	<h1>Amphenol Connex</h1>							
8					DRAWN	G.R.S.					02/07/06	BNC CRIMP PLUG (FOR RG-58/U, 141/U CABLE)		
7					CHECKED			PART NO. 112116-10						
6					ISSUED							DWG. NO. 112116-10.DWG		
5					SHEET	1 OF 1		REV. NC SIZE A SCALE NA						
4	FERRULE	COPPER	NICKEL	1	CAD FILE		C:/112/112116-10.DWG							
3	CONTACT PIN	BRASS	GOLD	1	<small>UNLESS OTHERWISE SPECIFIED DIMENSIONS ARE IN MILLIMETERS. DIMENSIONS IN [] ARE IN INCHES AND FOR CUSTOMER REFERENCE ONLY.</small> <small>UNLESS OTHERWISE SPECIFIED TOLERANCES FOR MILLIMETERS ARE:</small> 0.5 - 8mm ± 0.20mm 8 - 30mm ± 0.40mm 30 - 120mm ± 0.50mm <small>UNLESS OTHERWISE SPECIFIED TOLERANCES FOR INCHES ARE:</small> .020 - .315 = ± 0.007" .315 - 1.180 = ± 0.015" 1.180 - 4.724 = ± 0.020"									
2	INSULATOR	TEFLON	NATURAL	1						DO NOT SCALE DRAWING				
1	SHELL/BODY	BRASS	NICKEL	1										
DESCRIPTION					MATERIAL		FINISH		QTY					