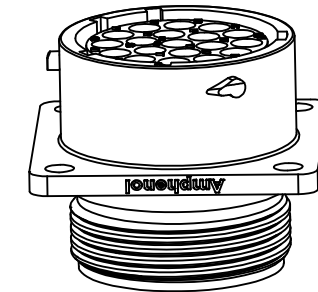
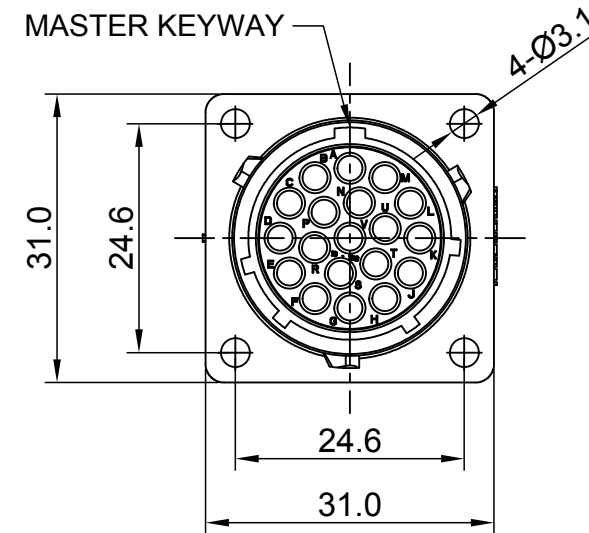
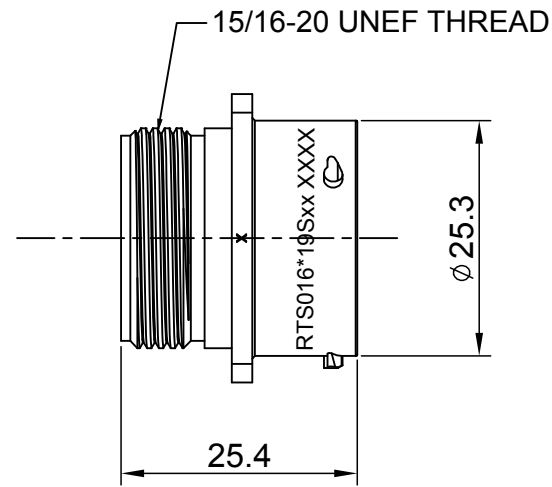
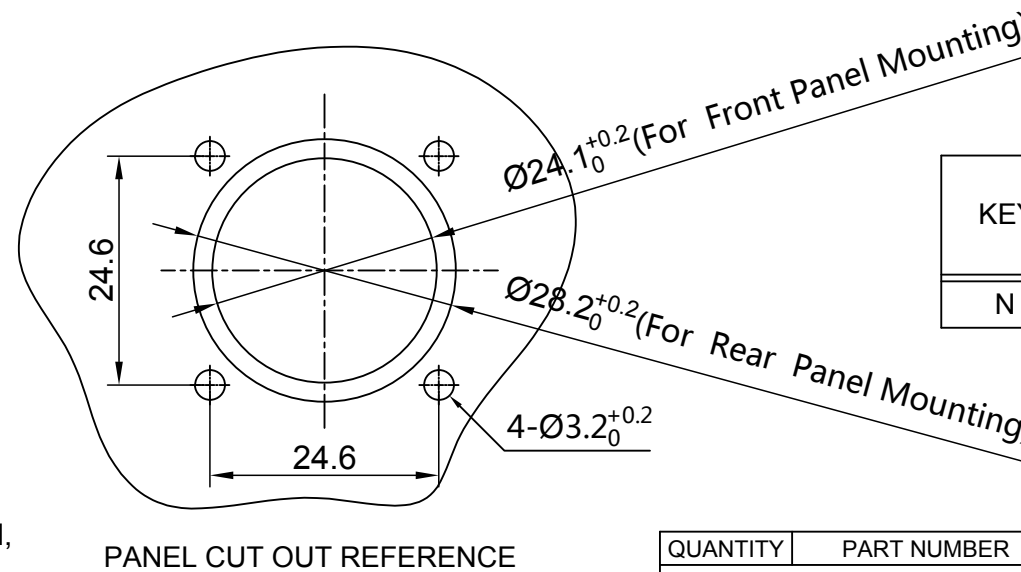


REVISIONS					
REV	ECO	DESCRIPTION	DATE	BY	APPR
A1	--	RELEASED DRAWING	Dec-26-2016	Ben	Tommy
A2	--	UPDATE NOTES	Jul-05-2017	Nick	Tommy
A3	--	UPDATE DRAWING	Mar-20-2018	White	Tommy
A4	--	UPDATE DRAWING	Apr-10-2018	White	Tommy



NOTES : (UNLESS OTHERWISE SPECIFIED)

- MATERIAL :
 - SHELL : THERMOPLASTIC , UL94 V-0.
 - INSERT : THERMOPLASTIC , UL94 V-0.
 - SEAL GASKET : NBR/SILICONE RUBBER.
- SPECIFICATIONS :
 - 2.1 RATED CURRENT : 13A MAX.
 - 2.2 RATED VOLTAGE : 500V(AC/DC).
 - 2.3 OPERATING TEMPERATURE : SEE TABLE.
 - 2.4 DIELECTRIC WITHSTANDING VOLTAGE : LESS THAN 2 MILLIAMPS CURRENT LEAKAGE@2000 VOLTS AC.
 - 2.5 INSULATION RESISTANCE : 5000 MEGOHMS MIN.
 - 2.6 IP--CLASS : IP67 AND IP69K IN THE MATED CONDITION, PANEL EXTERNAL.
 - 2.7 MATING CYCLES DURABILITY : 500 CYCLES MIN.
 - 2.8 RoHS COMPLIANT.
- SUITABLE CONTACTS : 16# CONTACT.
- ALL DIMENSIONS ARE FOR REFERENCE USE ONLY.



KEY	PART NUMBER	
		-40°C ~ 105°C
N	RTS016N19S	RTS016N19S03

QUANTITY	PART NUMBER	DESCRIPTION	ITEM															
MATERIALS LIST																		
UNLESS OTHERWISE SPECIFIED 1) All dimensions are in metric(mm). 2) Tolerances are as follows: 1 PL DEC ±0.30 Fractions ±1/64 2 PL DEC ±0.15 Angles ±1° 3 PL DEC ±0.08		<table border="1"> <thead> <tr> <th colspan="2">SIGNATURES</th> <th>DATE</th> </tr> </thead> <tbody> <tr> <td>DRAWN: White</td> <td></td> <td>Apr-10-2018</td> </tr> <tr> <td>CHECKED: Tod</td> <td></td> <td>Apr-10-2018</td> </tr> <tr> <td>ENGINEER:</td> <td></td> <td></td> </tr> <tr> <td>APPROVAL: Tommy</td> <td></td> <td>Apr-10-2018</td> </tr> </tbody> </table>		SIGNATURES		DATE	DRAWN: White		Apr-10-2018	CHECKED: Tod		Apr-10-2018	ENGINEER:			APPROVAL: Tommy		Apr-10-2018
SIGNATURES		DATE																
DRAWN: White		Apr-10-2018																
CHECKED: Tod		Apr-10-2018																
ENGINEER:																		
APPROVAL: Tommy		Apr-10-2018																
MATERIAL SPECIFICATIONS:		<p style="text-align: center;">Amphenol</p> <p>Sine Systems - www.amphenol-sine.com 44724 Morley Drive Clinton Township, MI 48036</p>																
PROCESS SPECIFICATIONS:		<p style="text-align: center;">ECO-MATE, RECEPTACLE, FLANGE, SIZE 16, 19 POS, SOCKET</p>																
NEXT ASSY:		<table border="1"> <thead> <tr> <th>SIZE</th> <th>TYPE</th> <th>DWG NO:</th> <th>REVISION</th> </tr> </thead> <tbody> <tr> <td>B</td> <td>C-</td> <td>RTS016*19Sxx</td> <td>A4</td> </tr> </tbody> </table>		SIZE	TYPE	DWG NO:	REVISION	B	C-	RTS016*19Sxx	A4							
SIZE	TYPE	DWG NO:	REVISION															
B	C-	RTS016*19Sxx	A4															
SCALE: NONE		SHEET 1 OF 1																

TITLE: ECO-MATE, RECEPTACLE, FLANGE SIZE 16, 19 POS, SOCKET

DWG NO:

RTS016*19Sxx

REV: A4

SH: 1

OF: 1