

THIS DRAWING IS UNPUBLISHED. RELEASED FOR PUBLICATION  
 © COPYRIGHT - BY TYCO ELECTRONICS CORPORATION. ALL RIGHTS RESERVED.

LOC	DIST	REVISIONS					
GP	00	P	LTR	DESCRIPTION	DATE	DWN	APVD
			A	NEW RELEASE	21JUL06	TK	SF

NOTES: UNLESS OTHERWISE SPECIFIED.

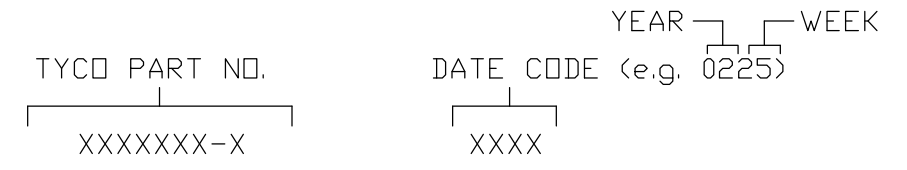
1. MATERIALS:

INSULATORS: MOLDED VALOX, COLOR BLACK,  
 UL94V-0 FLAMMABILITY RATED.

RETENTION CLIPS: STAINLESS STEEL OR BERYLLIUM COPPER

PLASTIC RETENTION SCREW: STEEL

2 ITEMS PROVIDED TO THIS SPECIFICATION TO BE PERMANENTLY IDENTIFIED PER THE FOLLOWING IDENTIFIER:



3 ALL CONTACTS ARE SHIPPED LOOSE WITH THE CONNECTOR ASSEMBLY.

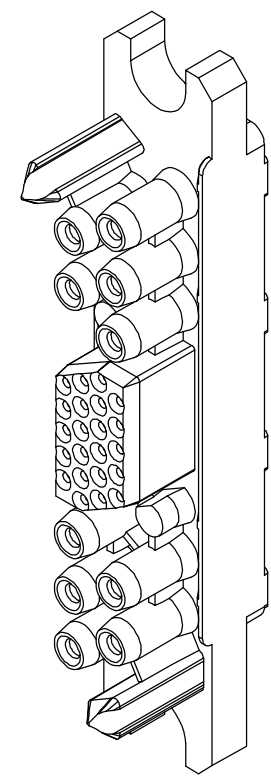
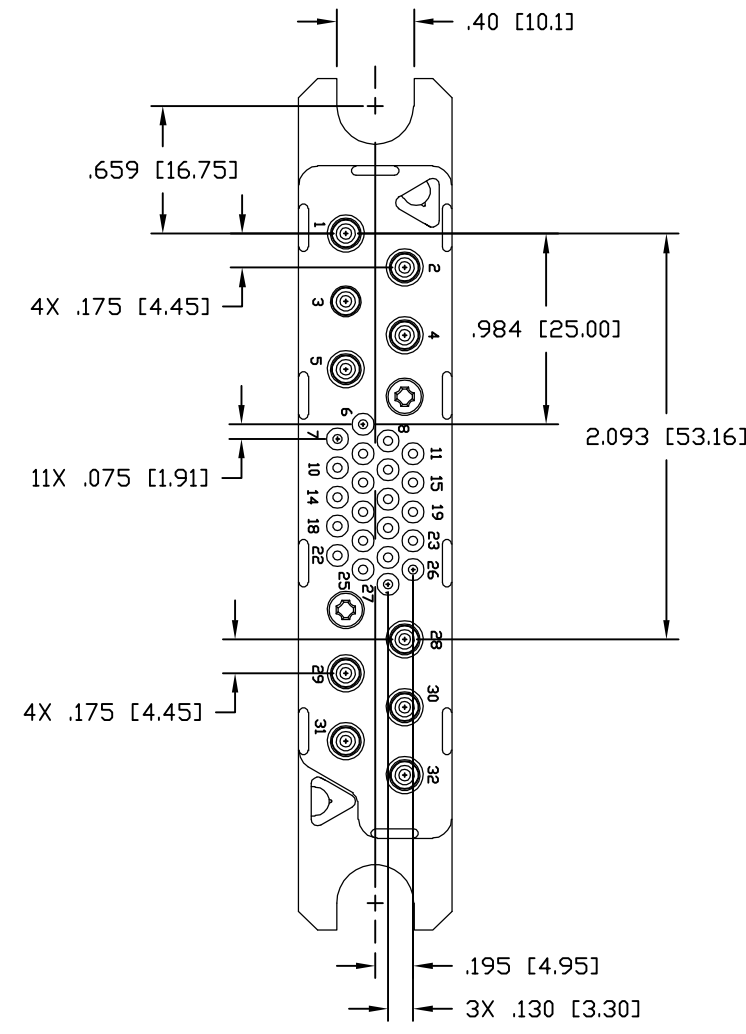
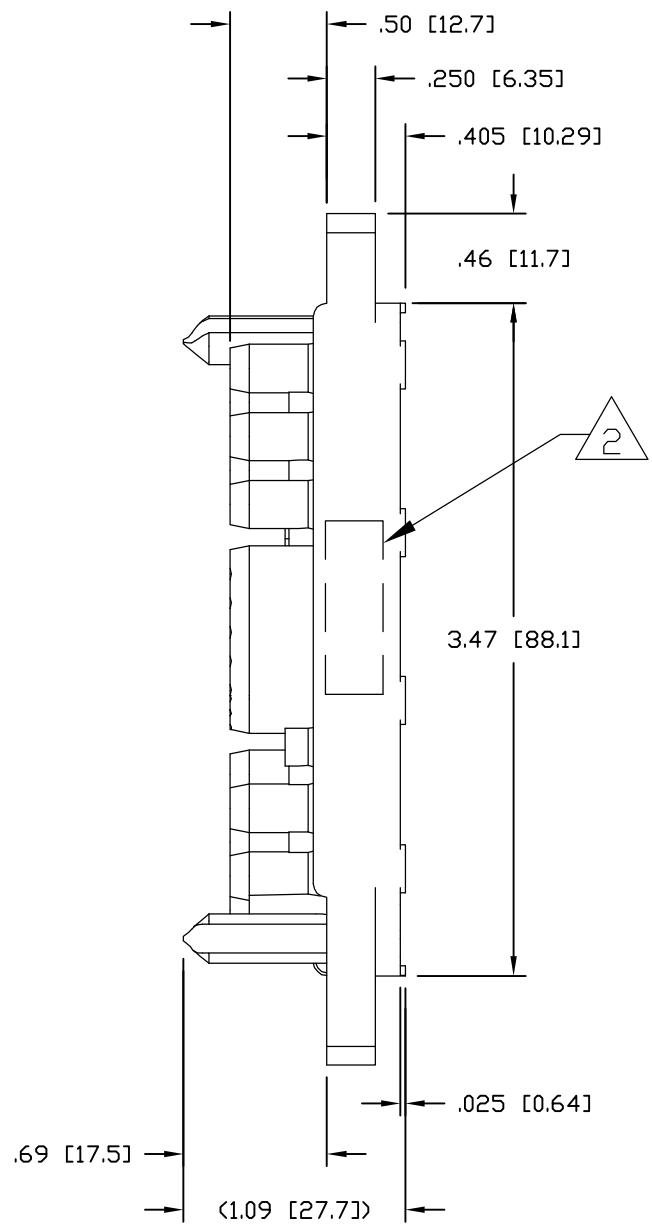
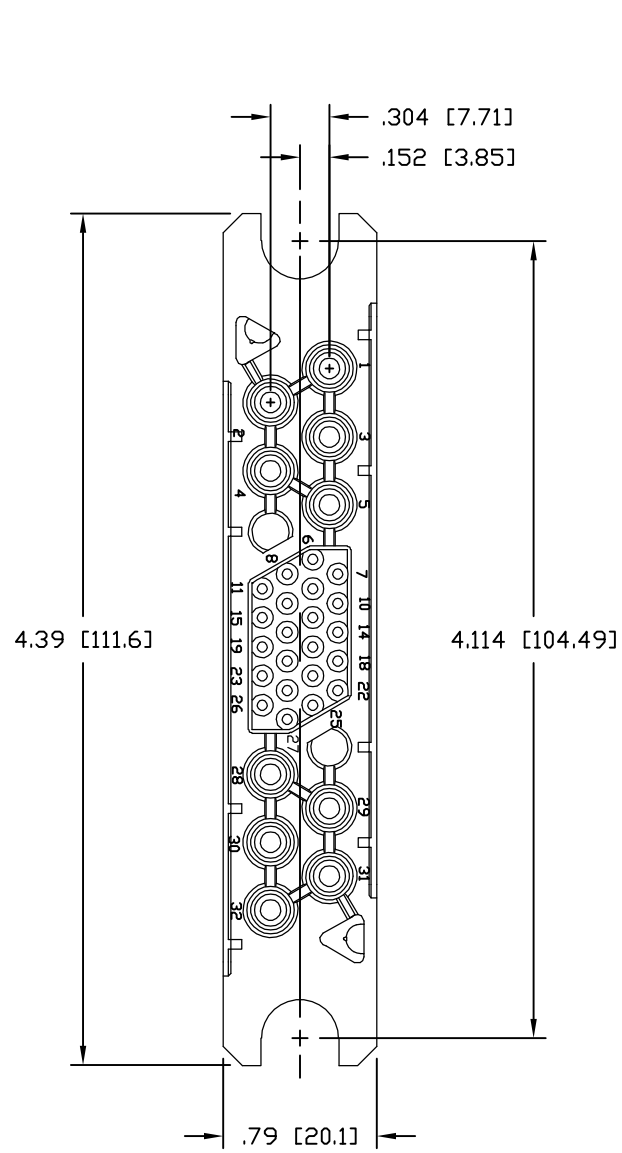
6648193-1      AS SHOWN

ELCON      STR SOCKET CUSTOM CONN

THIS DRAWING IS A CONTROLLED DOCUMENT.		DWN T.KRAYBILL	20JUL2006	<b>tyco</b> Tyco Electronics Corporation			
DIMENSIONS: INCHES		CHK S.FLICKINGER	21JUL06	<b>Electronics</b> Harrisburg, PA 17105-3608			
		APVD S.FLICKINGER	21JUL06	NAME STRAIGHT SOCKET CUSTOM CONNECTOR			
		TOLERANCES UNLESS OTHERWISE SPECIFIED: 0 PLC ± - 1 PLC ± .02 [.3] 2 PLC ± .010 [.25] 3 PLC ± - 4 PLC ± - ANGLES ± 5°		PRODUCT SPEC -		APPLICATION SPEC -	
MATERIAL -	FINISH -	WEIGHT -		SIZE A3	CAGE CODE 00779	DRAWING NO C-6648193	RESTRICTED TO -
CUSTOMER DRAWING				SCALE 1:1	SHEET 1 OF 3	REV A	

THIS DRAWING IS UNPUBLISHED. RELEASED FOR PUBLICATION  
 © COPYRIGHT BY TYCO ELECTRONICS CORPORATION. ALL RIGHTS RESERVED.

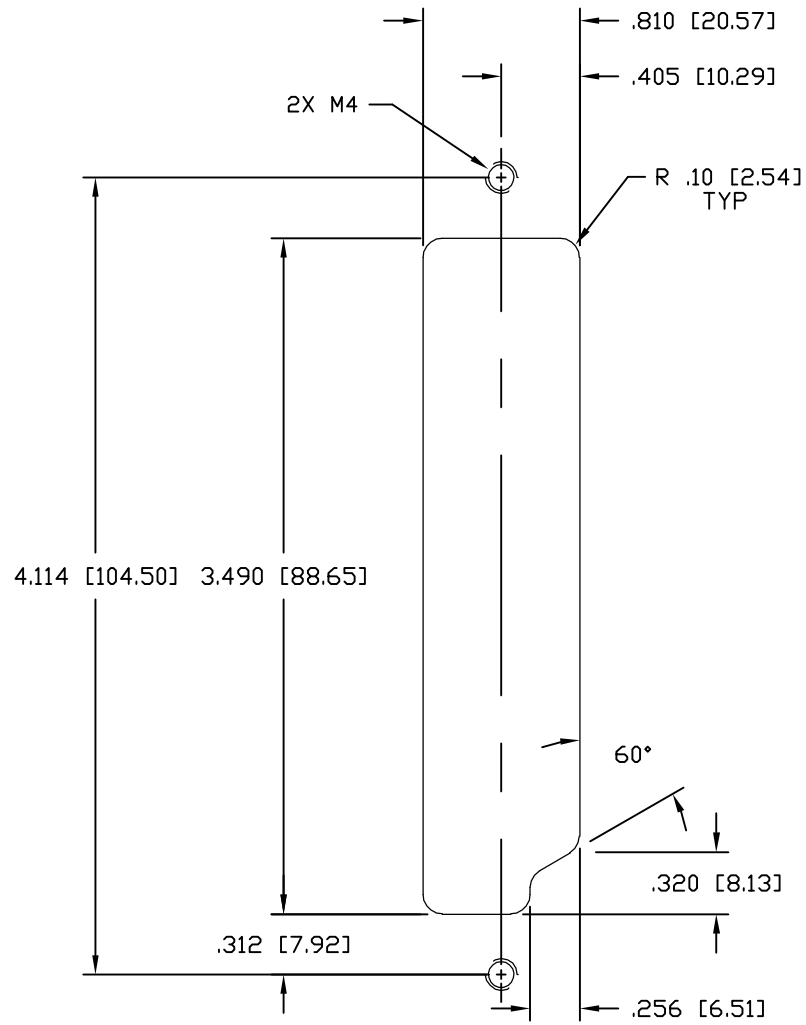
LOC	DIST	REVISIONS			
P	LTR	DESCRIPTION	DATE	DWN	APVD
GP	00	SEE SHEET 1	-	-	-



THIS DRAWING IS A CONTROLLED DOCUMENT.		DWN T.KRAYBILL 20JUL2006	Tyco Electronics Corporation Harrisburg, PA 17105-3608	
DIMENSIONS: INCHES		CHK S.FLICKINGER 21JUL06	NAME STRAIGHT SOCKET CUSTOM CONNECTOR	
TOLERANCES UNLESS OTHERWISE SPECIFIED:		APVD S.FLICKINGER 21JUL06	PRODUCT SPEC	
<ul style="list-style-type: none"> <li>0 PLC ± -</li> <li>1 PLC ± .02 [.3]</li> <li>2 PLC ± .010 [.25]</li> <li>3 PLC ± -</li> <li>4 PLC ± -</li> <li>ANGLES ± 5°</li> </ul>		APPLICATION SPEC		
MATERIAL		WEIGHT	SIZE A3	CAGE CODE 00779
			DRAWING NO C-6648193	RESTRICTED TO
		CUSTOMER DRAWING		SCALE 1:1
		SHEET 2 OF 3		REV A

THIS DRAWING IS UNPUBLISHED. RELEASED FOR PUBLICATION  
 © COPYRIGHT - BY TYCO ELECTRONICS CORPORATION. ALL RIGHTS RESERVED.

LOC	DIST	REVISIONS			
P	LTR	DESCRIPTION	DATE	DWN	APVD
GP	00	SEE SHEET 1	-	-	-



SUGGESTED PANEL CUTOUT FOR FIXED CONNECTOR  
 SOCKET SIDE

THIS DRAWING IS A CONTROLLED DOCUMENT.		DWN T.KRAYBILL 20JUL2006	Tyco Electronics Corporation Harrisburg, PA 17105-3608		
DIMENSIONS: INCHES	TOLERANCES UNLESS OTHERWISE SPECIFIED:	CHK S.FLICKINGER 21JUL06	NAME S.FLICKINGER 21JUL06 STRAIGHT SOCKET CUSTOM CONNECTOR		
	0 PLC ± -	APVD S.FLICKINGER 21JUL06	PRODUCT SPEC		
	1 PLC ± .02 [.3]	PRODUCT SPEC	-		
MATERIAL	2 PLC ± .010 [.25]	APPLICATION SPEC	-		
	3 PLC ± -	WEIGHT	-		
FINISH	4 PLC ± -	SIZE	A3	CAGE CODE	00779
	ANGLES ± 5°	DRAWING NO	C=6648193		RESTRICTED TO
		CUSTOMER DRAWING		SCALE	1:1
				SHEET	3 OF 3
				REV	A