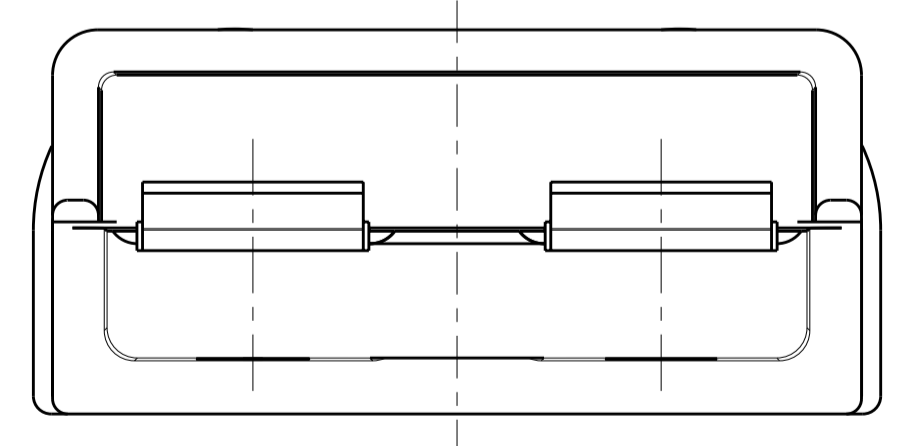
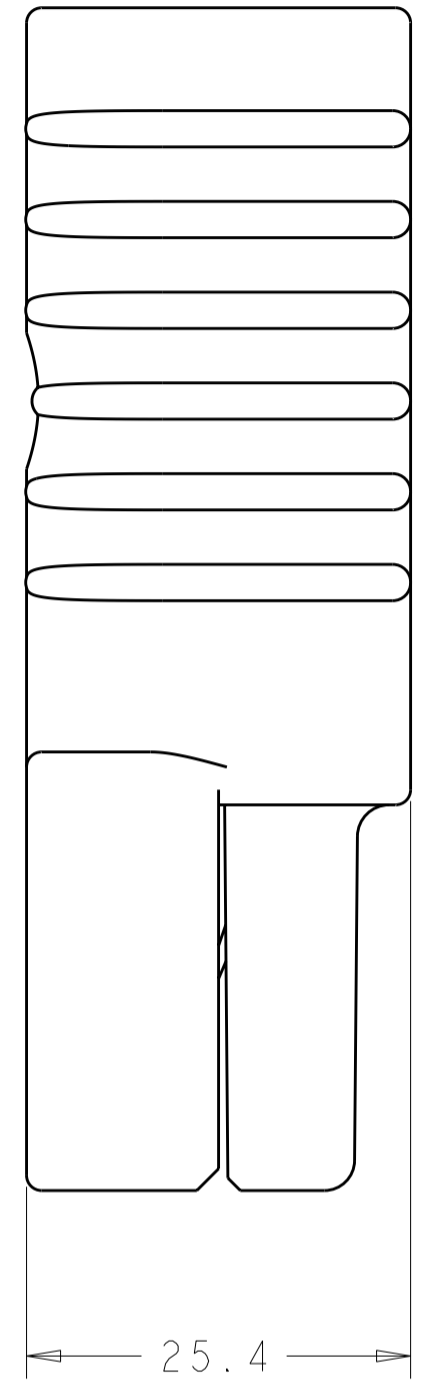
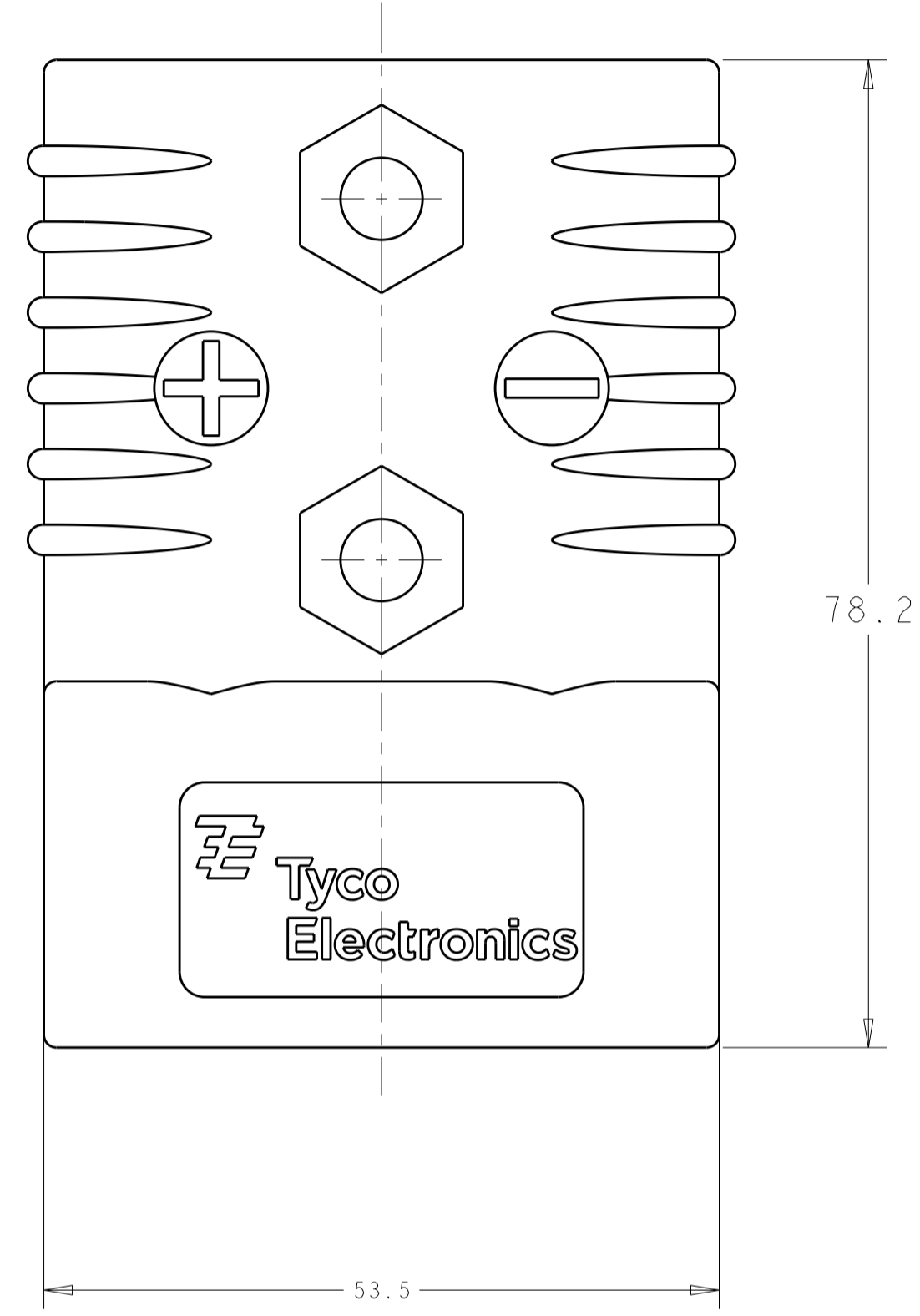


THIS DRAWING IS UNPUBLISHED. RELEASED FOR PUBLICATION 20
 © COPYRIGHT 20 BY - ALL RIGHTS RESERVED.

LOC		DIST		REVISIONS			
P	LTR	DESCRIPTION	DATE	DWN	APVD		
	P	REVISED PER ECO-11-005027	18MAR2011	RK	HMR		
	PI	REV PER ECR-11-023441	17NOV2011	AY	SZ		



THIS PRODUCT HAS PASSED VERIFICATION AND AGENCY APPROVALS TESTING AND IS COMPONENT RECOGNIZED PER UL 1977 AND CSA 22.2. TE CONNECTIVITY PRODUCT QUALIFICATION TESTING IS NOT YET COMPLETED.

PI	BLACK	1604037-6
	BLUE	1604037-5
	GRAY	1604037-4
	RED	1604037-3
	ORANGE	1604037-2
	YELLOW	1604037-1
	HOUSING COLOR	ASSEMBLY PART NO

METRIC

THIS DRAWING IS A CONTROLLED DOCUMENT.		DWN B.D. YOHN 12DEC2001	STE TE Connectivity	
DIMENSIONS: mm		CHK W. BERNHART 12DEC2001		
TOLERANCES UNLESS OTHERWISE SPECIFIED:		APVD J.A. FUJIPONTI 12DEC2001	NAME SUB-ASSY, HOUSING W/ SPRING, AMP POWER SERIES 175	
0 PLC ±0.13		PRODUCT SPEC -	SIZE A200779	DRAWING NO C-1604037
1 PLC ±0.13		APPLICATION SPEC -	RESTRICTED TO -	
2 PLC ±0.13		WEIGHT -	SCALE 2:1	SHEET 1 OF 1
3 PLC ±0.13		CUSTOMER DRAWING	REV PI	
4 PLC ±				
ANGLES ±				
FINISH				