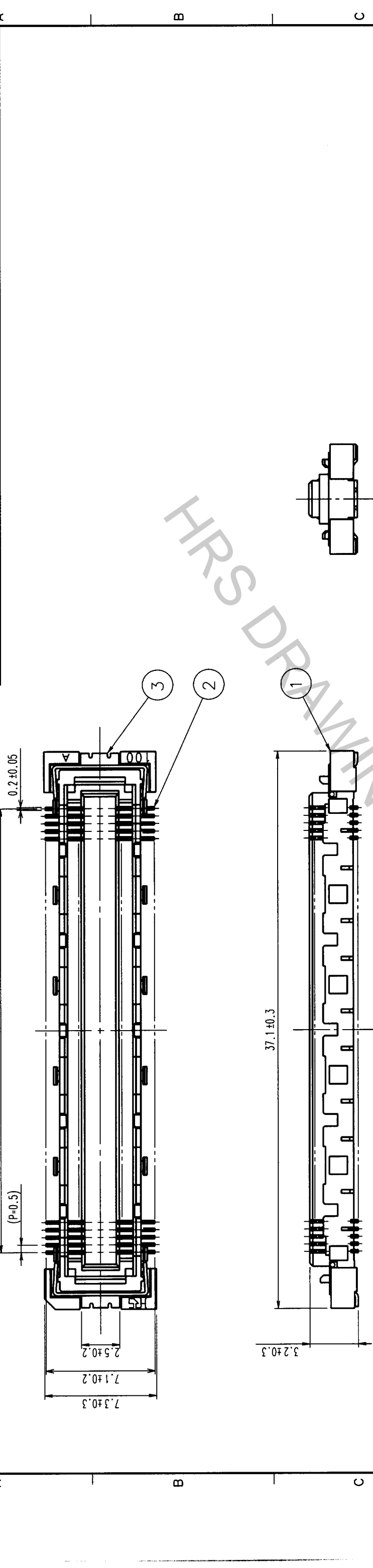
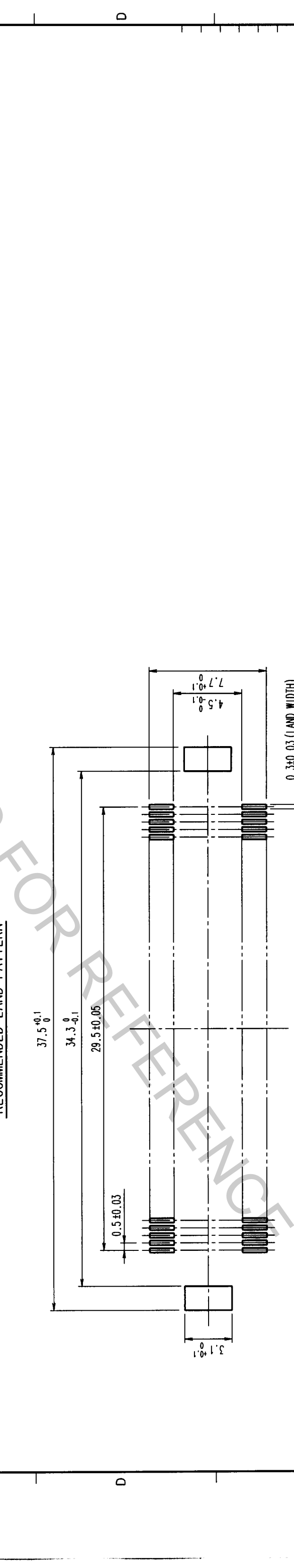


| NO. | MATERIAL | FINISH, REMARKS | DRAWN | DESIGNED | CHECKED | APPROVED | RELEASED |
|-----|-----------------|---|-------|----------|---------|----------|----------|
| 3 | PHOSPHOR BRONZE | TIN PLATED | | | | | |
| 2 | PHOSPHOR BRONZE | CONTACT AREA: GOLD (0.1μm) OVER NICKEL LEAD: GOLD PLATED (FLASH) OVER NICKEL | | | | | |
| 1 | LCP | BEIGE UL94V-0 | | | | | |

| NO. | MATERIAL | FINISH, REMARKS | DRAWN | DESIGNED | CHECKED | APPROVED | RELEASED |
|-----|-----------------|---|-------|----------|---------|----------|----------|
| 3 | PHOSPHOR BRONZE | TIN PLATED | | | | | |
| 2 | PHOSPHOR BRONZE | CONTACT AREA: GOLD (0.1μm) OVER NICKEL LEAD: GOLD PLATED (FLASH) OVER NICKEL | | | | | |
| 1 | LCP | BEIGE UL94V-0 | | | | | |



RECOMMENDED LAND PATTERN



| NO. | MATERIAL | FINISH, REMARKS | DRAWN | DESIGNED | CHECKED | APPROVED | RELEASED |
|-----|-----------------|---|-------|----------|---------|----------|----------|
| 3 | PHOSPHOR BRONZE | TIN PLATED | | | | | |
| 2 | PHOSPHOR BRONZE | CONTACT AREA: GOLD (0.1μm) OVER NICKEL LEAD: GOLD PLATED (FLASH) OVER NICKEL | | | | | |
| 1 | LCP | BEIGE UL94V-0 | | | | | |

NO. MATERIAL FINISH, REMARKS

CODE NO. (OLD) CL

DRAWN: J. Sakuda 99.10.18

DESIGNED: M. Sakuda 99.10.18

CHECKED: M. Sakuda 99.10.18

APPROVED: J. Goshima 99.10.18

RELEASED: J. Goshima 99.10.18

FINISH, REMARKS: TIN PLATED

PHOSPHOR BRONZE

CONTACT AREA: GOLD (0.1μm) OVER NICKEL

LEAD: GOLD PLATED (FLASH) OVER NICKEL

LCP

BEIGE UL94V-0

PART NO. FX10B-120S-SV

DRAWING NO. EDC3-151989

SCALE 4 : 1

UNITS (mm)

HIROSE ELECTRIC CO., LTD.

CL570-0252-5

1/1

NOTES

- 1 SMT LEAD-COPLANARITY: 0.1 MAX.
- 2 THIS PRODUCT HAS NO POLARITY TO MOUNT ON THE RECOMMENDED LAND PATTERN.

| | |
|-----|--|
| TO | |
| PCK | |