
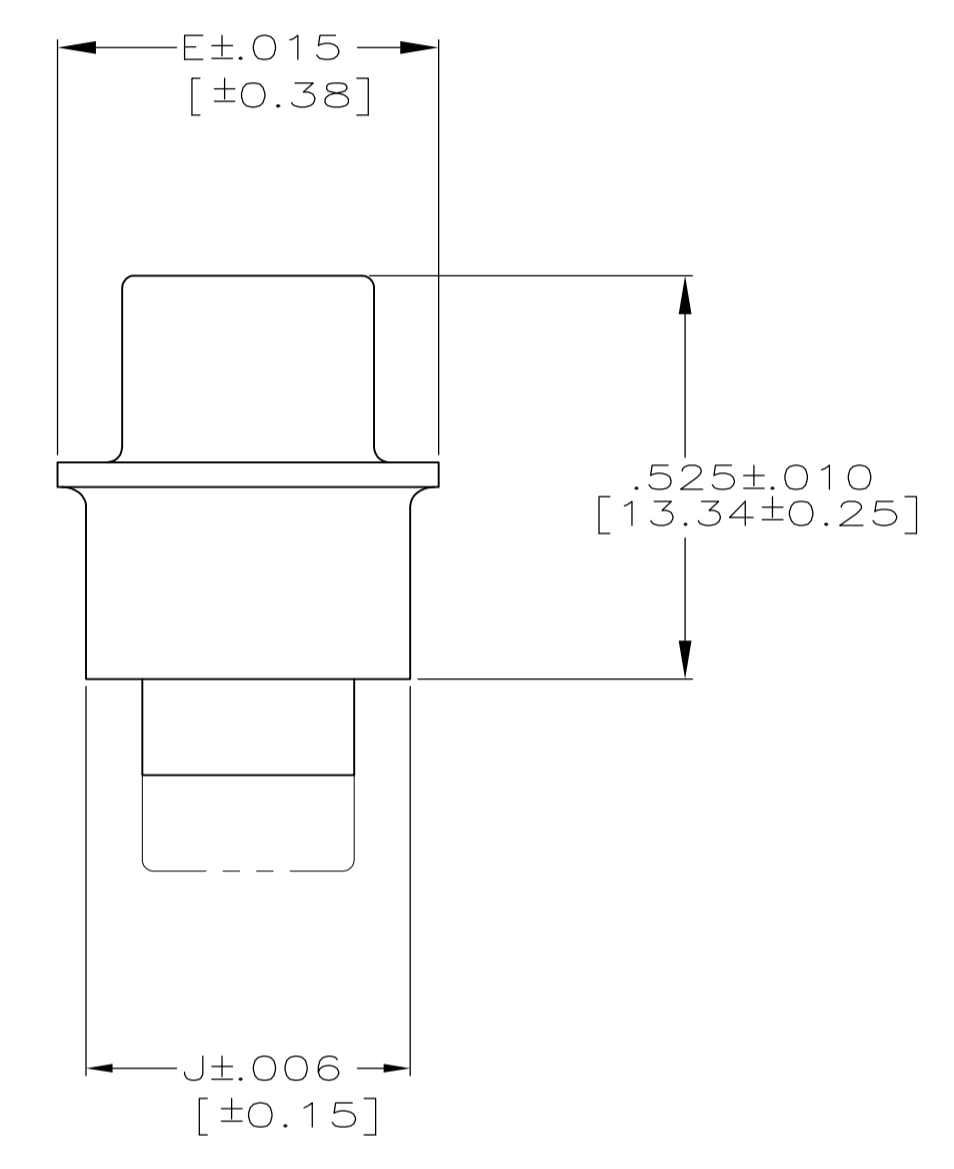
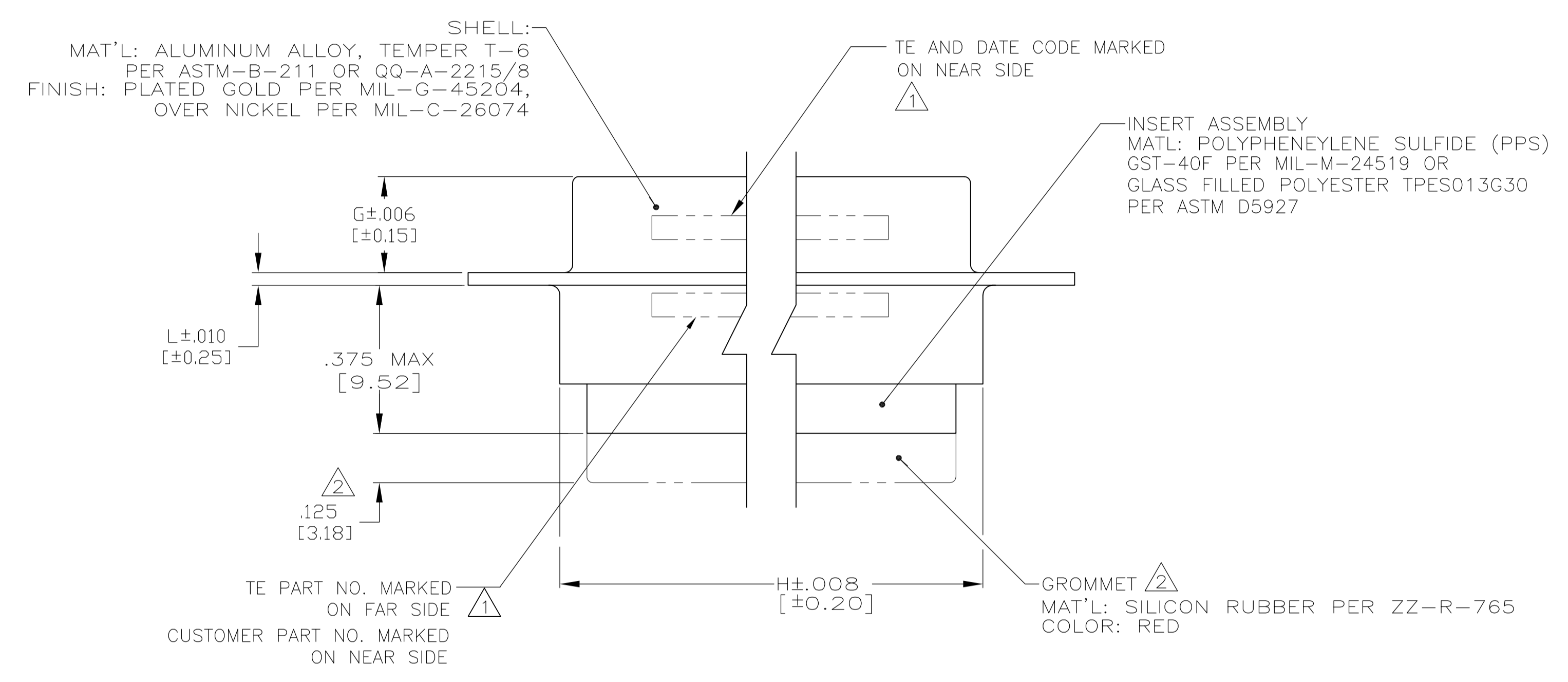
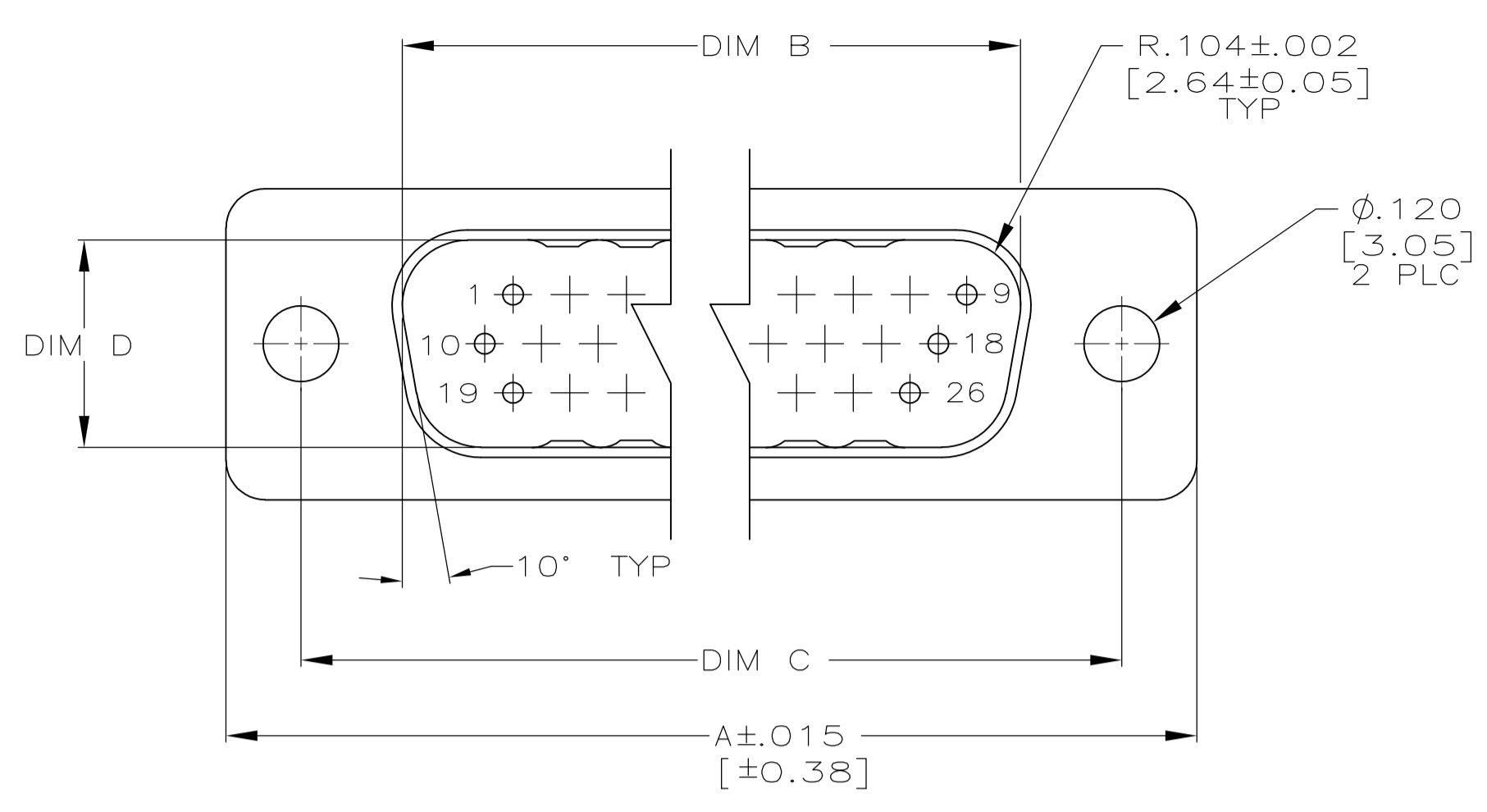


- 1. MARKED WITH .047 [1.19] HIGH CHARACTERS. FAR SIDE REFERS TO WIDE SIDE OF KEYSTONE, NEAR SIDE REFERS TO NARROW SIDE OF KEYSTONE.
- 2. RUBBER GROMMET APPLIES ONLY FOR 1218232-7 THRU 1-1218232-2 AND 2-1218232-7 THRU 3-1218232-2.
- 3. BERYLLIUM COPPER RETENTION CLIPS ARE INCLUDED IN INSERTS.
- 4. CONTACTS NOT SUPPLIED, MUST BE ORDERED SEPARATELY. WILL ACCOMMODATE A SIZE 22 PIN CONTACT PER MIL-C-39029/58-360 OR NASA G-08-P1. CONTACT THE ENGINEERING FOR ANY OTHER CONTACT STYLES.
- 5. THIS PLUG WILL MATE WITH ANY RECEPTACLE CONNECTOR WITH THE SAME INSERT ARRANGEMENT.
- 6. MAXIMUM WIRE INSULATION USED WITH THIS CONNECTOR IS .054 [1.37] DIAMETER WITH GROMMET, .068 [1.73] WITHOUT GROMMET.
- 7. UNLESS OTHERWISE STATED THIS ASSEMBLY CONFORMS TO MIL-PRF-24308.
- 8. SPECIAL TESTING PER RAYTHEON R10006242 SPECIFICATION.

L	J	H	G	E	D	C	B	A	REMARKS	NO OF POSN.	SHELL SIZE	PART NUMBER
.039	.608	2.313	.230	.668	.503	2.500	2.212	2.729	2	104	6	3-1218232-2
[0.99]	[15.44]	[58.75]	[5.84]	[16.97]	[12.78]	[63.50]	[56.18]	[69.32]	8			
.039	.550	2.189	.230	.605	.441	2.406	2.079	2.635	2	78	5	3-1218232-1
[0.99]	[13.97]	[55.60]	[5.84]	[15.38]	[11.20]	[61.11]	[52.81]	[66.93]	8			
.039	.438	2.284	.230	.494	.329	2.500	2.182	2.729	2	62	4	3-1218232-0
[0.99]	[11.13]	[58.01]	[5.84]	[12.55]	[8.36]	[63.50]	[55.42]	[69.32]	8			
.039	.438	1.636	.230	.494	.329	1.852	1.534	2.088	2	44	3	2-1218232-9
[0.99]	[11.13]	[41.55]	[5.84]	[12.55]	[8.36]	[47.04]	[38.96]	[53.04]	8			
.030	.438	1.094	.235	.494	.329	1.312	.994	1.541	2	26	2	2-1218232-8
[0.76]	[11.13]	[27.79]	[5.97]	[12.55]	[8.36]	[33.32]	[25.25]	[39.14]	8			
.030	.438	.770	.235	.494	.329	.984	.666	1.213	2	15	1	2-1218232-7
[0.76]	[11.13]	[19.56]	[5.97]	[12.55]	[8.36]	[24.99]	[16.92]	[30.81]	8			
.039	.608	2.313	.230	.668	.503	2.500	2.212	2.729	8	104	6	2-1218232-6
[0.99]	[15.44]	[58.75]	[5.84]	[16.97]	[12.78]	[63.50]	[56.18]	[69.32]	2			
.039	.550	2.189	.230	.605	.441	2.406	2.079	2.635	8	78	5	2-1218232-5
[0.99]	[13.97]	[55.60]	[5.84]	[15.38]	[11.20]	[61.11]	[52.81]	[66.93]	2			
.039	.438	2.284	.230	.494	.329	2.500	2.182	2.729	8	62	4	2-1218232-4
[0.99]	[11.13]	[58.01]	[5.84]	[12.55]	[8.36]	[63.50]	[55.42]	[69.32]	2			
.039	.438	1.636	.230	.494	.329	1.852	1.534	2.088	8	44	3	2-1218232-3
[0.99]	[11.13]	[41.55]	[5.84]	[12.55]	[8.36]	[47.04]	[38.96]	[53.04]	2			
.030	.438	1.094	.235	.494	.329	1.312	.994	1.541	8	26	2	2-1218232-2
[0.76]	[11.13]	[27.79]	[5.97]	[12.55]	[8.36]	[33.32]	[25.25]	[39.14]	2			
.030	.438	.770	.235	.494	.329	.984	.666	1.213	8	15	1	2-1218232-1
[0.76]	[11.13]	[19.56]	[5.97]	[12.55]	[8.36]	[24.99]	[16.92]	[30.81]	2			
.039	.608	2.313	.230	.668	.503	2.500	2.212	2.729	2	104	6	1-1218232-2
[0.99]	[15.44]	[58.75]	[5.84]	[16.97]	[12.78]	[63.50]	[56.18]	[69.32]	8			
.039	.550	2.189	.230	.605	.441	2.406	2.079	2.635	2	78	5	1-1218232-1
[0.99]	[13.97]	[55.60]	[5.84]	[15.38]	[11.20]	[61.11]	[52.81]	[66.93]	8			
.039	.438	2.284	.230	.494	.329	2.500	2.182	2.729	2	62	4	1-1218232-0
[0.99]	[11.13]	[58.01]	[5.84]	[12.55]	[8.36]	[63.50]	[55.42]	[69.32]	8			
.039	.438	1.636	.230	.494	.329	1.852	1.534	2.088	2	44	3	1218232-9
[0.99]	[11.13]	[41.55]	[5.84]	[12.55]	[8.36]	[47.04]	[38.96]	[53.04]	8			
.030	.438	1.094	.235	.494	.329	1.312	.994	1.541	2	26	2	1218232-8
[0.76]	[11.13]	[27.79]	[5.97]	[12.55]	[8.36]	[33.32]	[25.25]	[39.14]	8			
.030	.438	.770	.235	.494	.329	.984	.666	1.213	2	15	1	1218232-7
[0.76]	[11.13]	[19.56]	[5.97]	[12.55]	[8.36]	[24.99]	[16.92]	[30.81]	8			
.039	.608	2.313	.230	.668	.503	2.500	2.212	2.729	-	104	6	1218232-6
[0.99]	[15.44]	[58.75]	[5.84]	[16.97]	[12.78]	[63.50]	[56.18]	[69.32]				
.039	.550	2.189	.230	.605	.441	2.406	2.079	2.635	-	78	5	1218232-5
[0.99]	[13.97]	[55.60]	[5.84]	[15.38]	[11.20]	[61.11]	[52.81]	[66.93]				
.039	.438	2.284	.230	.494	.329	2.500	2.182	2.729	-	62	4	1218232-4
[0.99]	[11.13]	[58.01]	[5.84]	[12.55]	[8.36]	[63.50]	[55.42]	[69.32]				
.039	.438	1.636	.230	.494	.329	1.852	1.534	2.088	-	44	3	1218232-3
[0.99]	[11.13]	[41.55]	[5.84]	[12.55]	[8.36]	[47.04]	[38.96]	[53.04]				
.030	.438	1.094	.235	.494	.329	1.312	.994	1.541	-	26	2	1218232-2
[0.76]	[11.13]	[27.79]	[5.97]	[12.55]	[8.36]	[33.32]	[25.25]	[39.14]				
.030	.438	.770	.235	.494	.329	.984	.666	1.213	-	15	1	1218232-1
[0.76]	[11.13]	[19.56]	[5.97]	[12.55]	[8.36]	[24.99]	[16.92]	[30.81]				

THIS DRAWING IS A CONTROLLED DOCUMENT.		DIN C.C.THOMAS 7-27-05	 TE Connectivity
DIMENSIONS: INCHES		CHK: D.MILLER 7-27-05	
TOLERANCES UNLESS OTHERWISE SPECIFIED:		NAME: D.MILLER 7-27-05	PLUG ASSEMBLY, AMPLIMITE ULTRA-LITE, SERIES 90, SIZE 1 THRU 6
0 PLC ± - 1 PLC ± - 2 PLC ± - 3 PLC ± .005 (0.13) 4 PLC ± - ANGLES ± .4°		APPROD: D.MILLER 7-27-05	PRODUCT SPEC
MATERIAL: - FINISH: -		APPLICATION SPEC	RESTRICTED TO
WEIGHT: -		SIZE: A1	CAGE CODE: 00779
CUSTOMER DRAWING		DRAWING NO: 1218232	SCALE: 4:1 SHEET 1 OF 2 REV H

LOC		DIST		REVISIONS			
P	LTR	DESCRIPTION	DATE	DNW	APVD		
-	-	SEE SHEET #1	-	-	-	-	-



THIS DRAWING IS A CONTROLLED DOCUMENT.		DWG C.C.THOMAS 7-27-05	TE Connectivity
DIMENSIONS: INCHES		CHK D.MILLER 7-27-05	
TOLERANCES UNLESS OTHERWISE SPECIFIED:		APP'D D.MILLER 7-27-05	NAME PLUG ASSEMBLY, AMPLIMITE ULTRA-LITE, SERIES 90, SIZE 1 THRU 6
0 PLC ± -	1 PLC ± -	PRODUCT SPEC	APPLICATION SPEC
2 PLC ± -	3 PLC ± .005 [0.13]	SIZE	SCALE
4 PLC ± -	ANGLES ± .4°	WEIGHT	RESTRICTED TO
MATERIAL	FINISH	A1 00779	DRAWING NO. 1218232
CUSTOMER DRAWING		SCALE 4:1	SHEET 2 OF 2