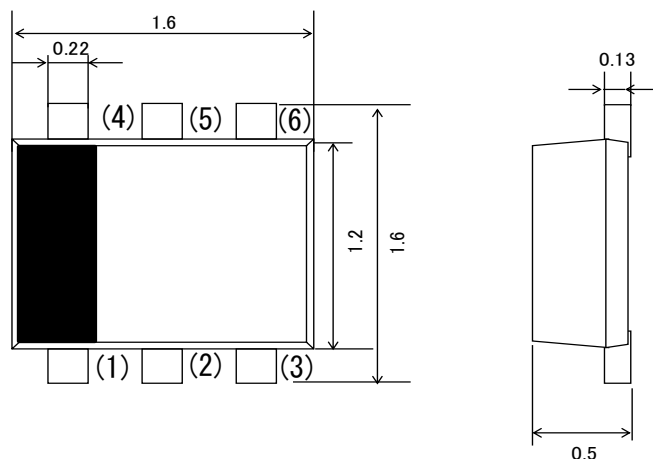
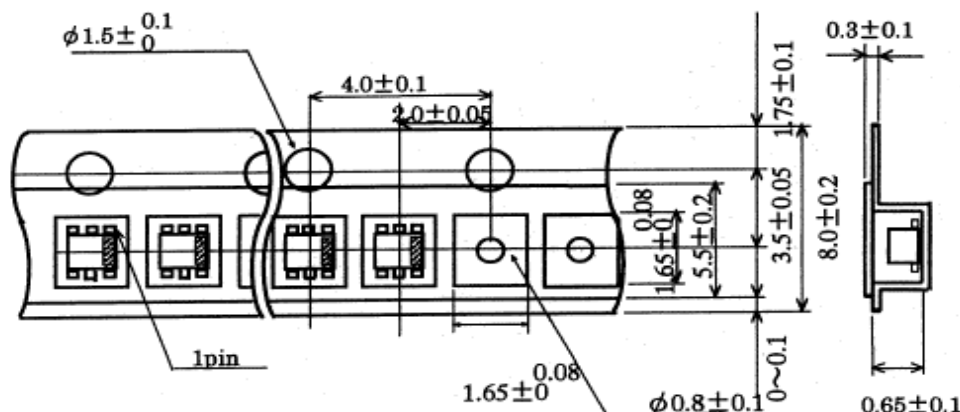


Product	ダイオード	Package	SOT-563(EMD6)	Type	T2R
---------	-------	---------	---------------	------	-----

1. 製品外形寸法図 (参考図 / Unit : mm)



2. テーピング寸法 (Unit : mm)



3. テーピング包装仕様

3-1. 製品整列

送り穴側が1pin電極側であり、1リール内は全て同一方向でテーピングします。

3-2. 累積ピッチ誤差

キャリアテープの累積ピッチ誤差は10ピッチで、 $\pm 0.2\text{mm}$ 以内とします。

3-3. テーピングの最小曲げ半径

キャリアテープ内側の場合、テーピングは半径30mmで曲げても製品の脱落や接着テープの折損などはありません。

3-4. キャリアテープ材料

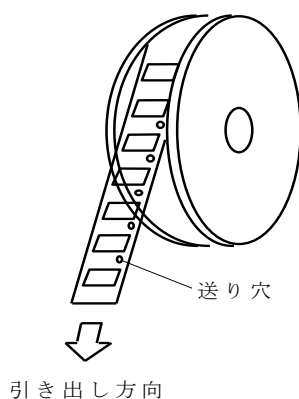
A-PET

3-5. 製品封入不良率

	発生率	備考
連続した抜け	0%	リーダー部, トレイル部は除く
非連続した抜け	Max.0.1%/リール	

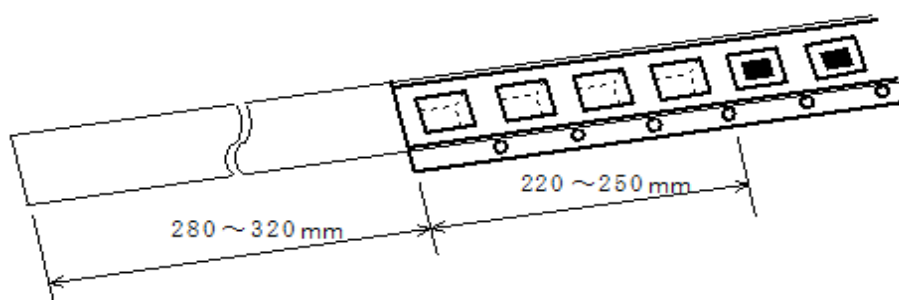
4. リーリング仕様

4-1. 巻き方向



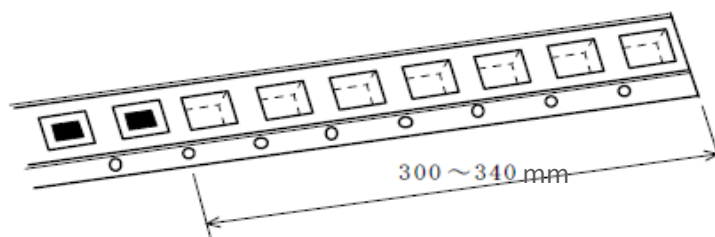
4-2. リーダー

リーダーテープは接着テープのみの部分と、製品が入っていないキャリアテープ部分を設けています。



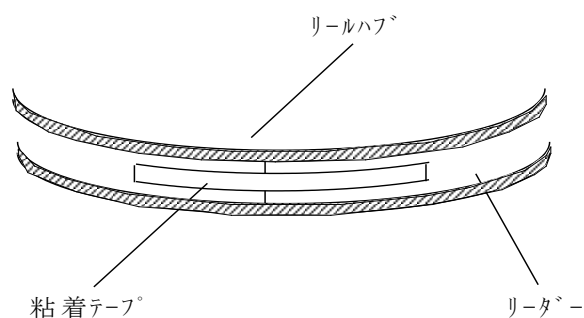
4-3. トレイル

トレイルテープはキャリアテープの中に製品が入っていない部分を設けており、リールには接着固定していません。



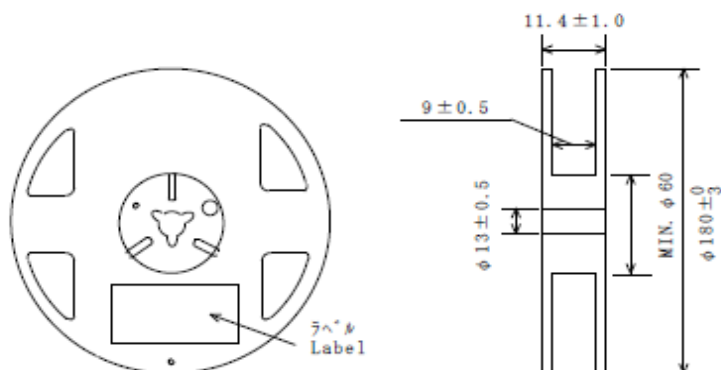
5. 端末処理

リーダー部先端は白色粘着テープで接続しております。

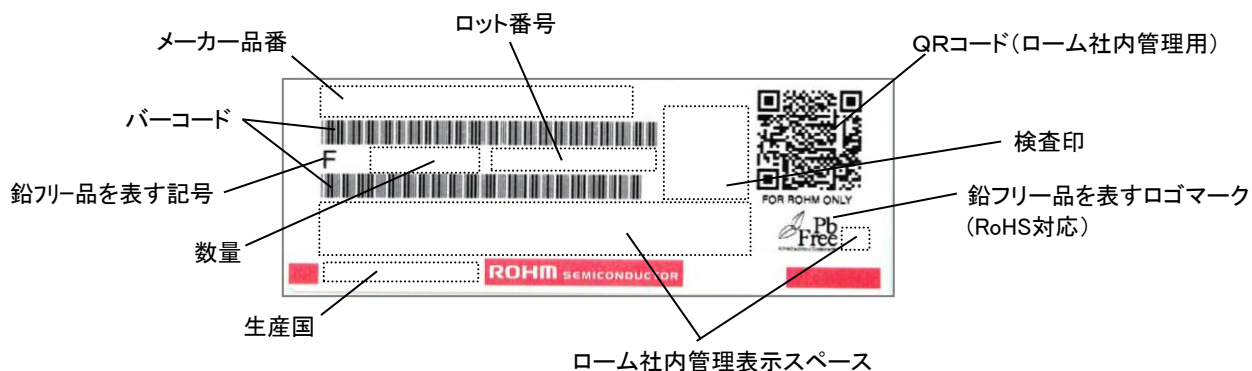


6. 基準数量 8,000個／リール

7. リール寸法図 (Unit : mm)



8. 表示 表示は所定の事項を記入したラベルをリールに貼り付けます。



9. 形名 テーピング製品の形名は下記の構成になります。

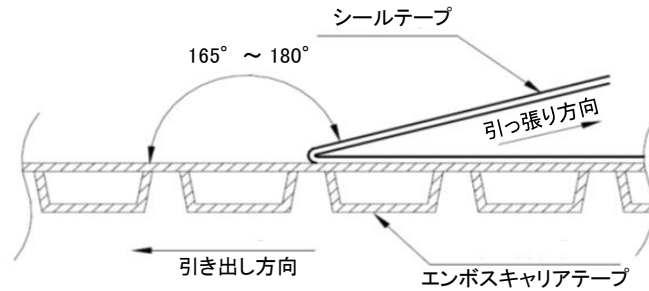
例 EMN11 T2R
製品形名 テーピング包装名

10. カバーテープの剥離強度

カバーテープの剥離強度は、0.1N～0.7N となります。(ローム推奨保管条件にて保管されていた場合)

【テスト条件 (JIS C 0806-3 4,7 準拠)】

引っ張り方向を角度165～180°に保ち、300mm/min±10mm/minのスピードでシールテープを引っ張る。



11. 推奨保管条件

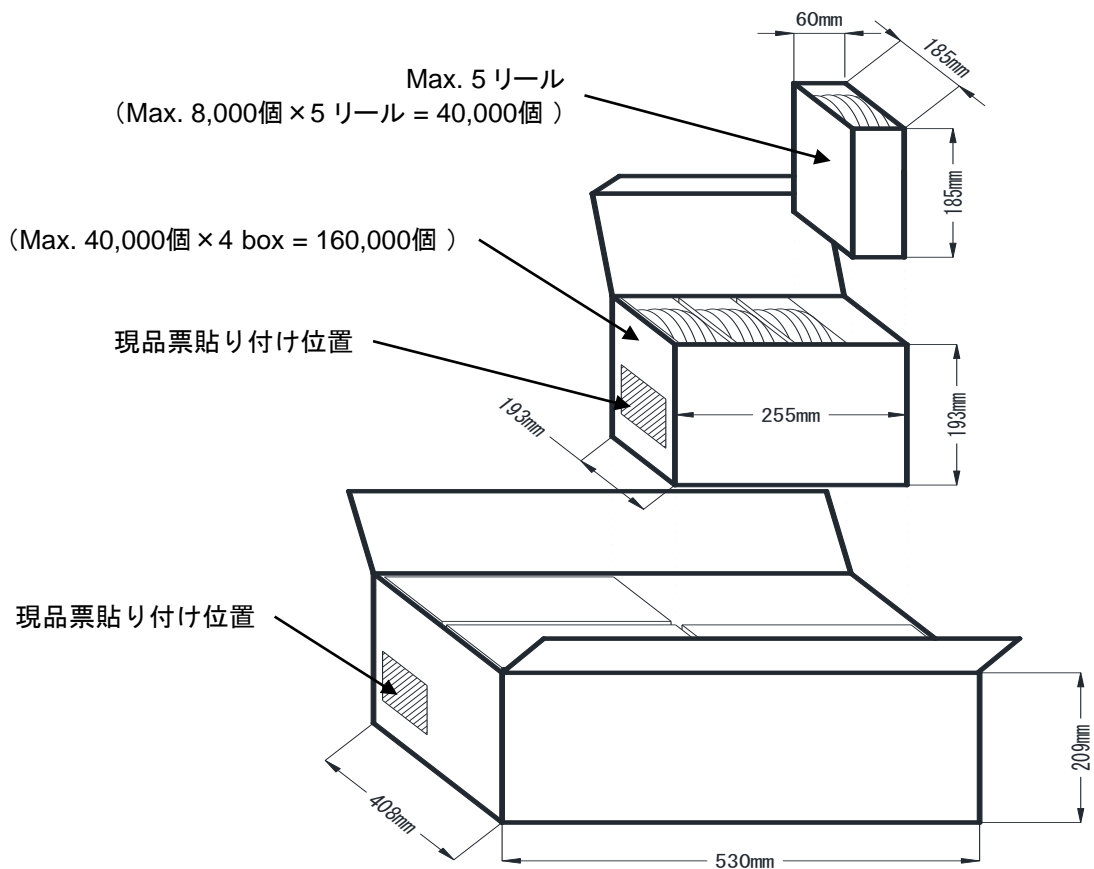
推奨保管条件：

温度：5°C～40°C、湿度：30%RH～80%RH

・端子部はんだメッキ仕様 (Sn2Cu)：製造後5年

注) 推奨保管期限を経過した製品は、はんだ付け性を確認した上でご使用頂くことを推奨します。

12. 梱包形態



Notes

- 1) The information contained herein is subject to change without notice.
- 2) Before you use our Products, please contact our sales representative and verify the latest specifications :
- 3) Although ROHM is continuously working to improve product reliability and quality, semiconductors can break down and malfunction due to various factors.
Therefore, in order to prevent personal injury or fire arising from failure, please take safety measures such as complying with the derating characteristics, implementing redundant and fire prevention designs, and utilizing backups and fail-safe procedures. ROHM shall have no responsibility for any damages arising out of the use of our Products beyond the rating specified by ROHM.
- 4) Examples of application circuits, circuit constants and any other information contained herein are provided only to illustrate the standard usage and operations of the Products. The peripheral conditions must be taken into account when designing circuits for mass production.
- 5) The technical information specified herein is intended only to show the typical functions of and examples of application circuits for the Products. ROHM does not grant you, explicitly or implicitly, any license to use or exercise intellectual property or other rights held by ROHM or any other parties. ROHM shall have no responsibility whatsoever for any dispute arising out of the use of such technical information.
- 6) The Products are intended for use in general electronic equipment (i.e. AV/OA devices, communication, consumer systems, gaming/entertainment sets) as well as the applications indicated in this document.
- 7) The Products specified in this document are not designed to be radiation tolerant.
- 8) For use of our Products in applications requiring a high degree of reliability (as exemplified below), please contact and consult with a ROHM representative : transportation equipment (i.e. cars, ships, trains), primary communication equipment, traffic lights, fire/crime prevention, safety equipment, medical systems, servers, solar cells, and power transmission systems.
- 9) Do not use our Products in applications requiring extremely high reliability, such as aerospace equipment, nuclear power control systems, and submarine repeaters.
- 10) ROHM shall have no responsibility for any damages or injury arising from non-compliance with the recommended usage conditions and specifications contained herein.
- 11) ROHM has used reasonable care to ensure the accuracy of the information contained in this document. However, ROHM does not warrant that such information is error-free, and ROHM shall have no responsibility for any damages arising from any inaccuracy or misprint of such information.
- 12) Please use the Products in accordance with any applicable environmental laws and regulations, such as the RoHS Directive. For more details, including RoHS compatibility, please contact a ROHM sales office. ROHM shall have no responsibility for any damages or losses resulting from non-compliance with any applicable laws or regulations.
- 13) When providing our Products and technologies contained in this document to other countries, you must abide by the procedures and provisions stipulated in all applicable export laws and regulations, including without limitation the US Export Administration Regulations and the Foreign Exchange and Foreign Trade Act.
- 14) This document, in part or in whole, may not be reprinted or reproduced without prior consent of ROHM.



Thank you for your accessing to ROHM product informations.
More detail product informations and catalogs are available, please contact us.

ROHM Customer Support System

<http://www.rohm.com/contact/>