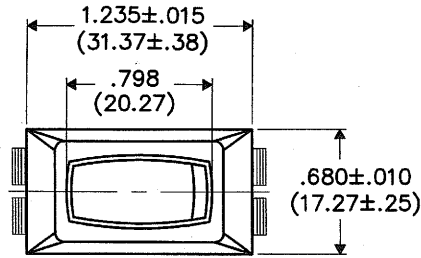


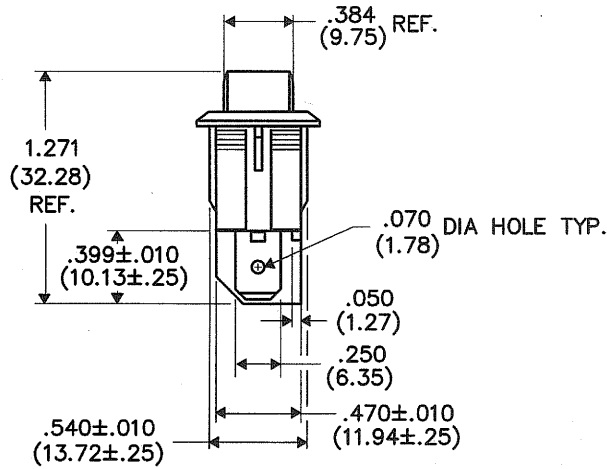
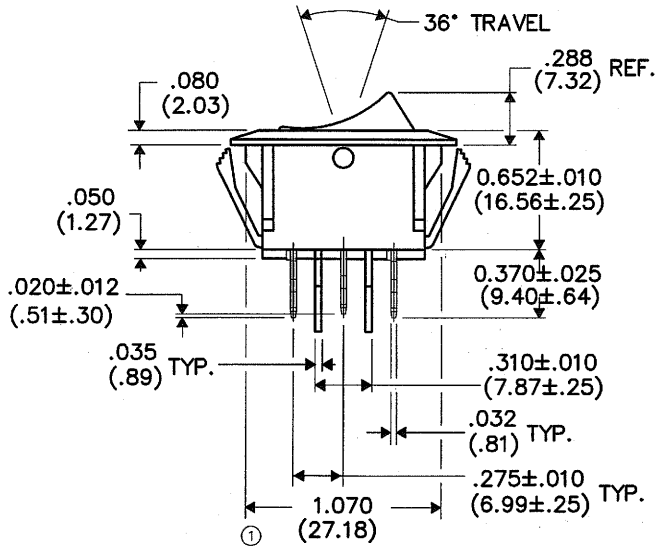
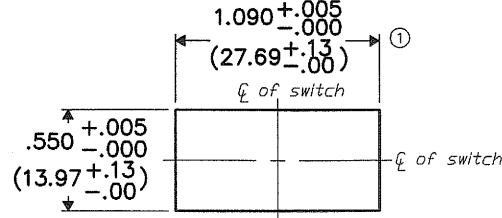
THIS INFORMATION IS CONFIDENTIAL AND PROPRIETARY TO CW INDUSTRIES INCORPORATED AND ITS AFFILIATES. IT MAY NOT BE DISCLOSED TO ANYONE OTHER THAN CW INDUSTRIES PERSONNEL, WITHOUT WRITTEN AUTHORIZATION FROM CW INDUSTRIES INCORPORATED, SOUTHAMPTON, PENNSYLVANIA 18966.

DIMENSIONS IN INCHES (MILLIMETERS)
 DO NOT SCALE DRAWING

Dwg. No.
GRS-2012-2004



PANEL PIERCING



1	2	3	4	5	6	7	8	9	10
---	---	---	---	---	---	---	---	---	----

B-FORMAT 2002	REVISIONS	1 REVISED & REDRAWN SHOWING NEW CLAW STYLE & 1.070 WAS 1.120 IN FRONT VIEW & 1.090 WAS 1.125 IN PANEL PIERCING. DGW 7-13-2011 <i>CLD 7/13/11</i>
---------------	------------------	---

CW INDUSTRIES Southampton, Pa. 18966	
TOLERANCES UNLESS OTHERWISE SPECIFIED	
2 Place Decimal ±.010	METRIC
3 Place Decimal ±.005	1 Place Dec. ±.25mm
Angles ±1°	2 Place Dec. ±.13mm
Made for: CW IND.	Division: SWITCH
Drawn by: DGW 7-13-2011	Dwg. No. GRS-2012-2004
Checked by: <i>B. Gold 7-13-11</i>	
Approval: <i>C. Adams 7/13/11</i>	

Title: ASSEMBLY DRAWING	
S.P.S.T. ROCKER SWITCH	
NONPOLARIZED W/BARRIERS	
1.090" x .550" PANEL	
Division: SWITCH	
Dwg. No. GRS-2012-2004	

MASTER